



COLORIENT

BREATHE LIFE INTO EVERY STRUCTURE

Terms & Conditions

- Due to continuous improvements in the technology, the technical data are subject to vary; however, it is advised to check the details with Orient Electric advisor.
- Continuous design improvement is a routine practice at Orient.
- All the technical details of this catalogue products are the property of ORIENT ELECTRIC LTD. The company will not be liable for any consequences resulting from the use of this publication.
- Warranty void for LED fixtures including drivers, if individual points of installations are not provided with proper earthing.
- Data provided may change without any prior intimation. Customers are advised to reconfirm the data or product dimensions before purchase with our local offices
- The actual flux output of the luminaire depends on the environmental conditions like temperature and may vary with specific configurations. Values are subject to $\pm 10\%$ allowance at nominal voltage.
- Application Images shown in the catalogue are for visualization only.

Orient Electric Limited
(a CK Birla Group company)

C-130, Sector 63, Noida-201301, U.P, India
Website: www.orientelectric.com

Orient Helpline No.: 1800 103 7574 (Toll-Free)

www.facebook.com/orientelectric





SEVEN DECADES OF TRUST, INNOVATION AND EXCELLENCE

We started our journey more than 70 years ago, manufacturing and distributing highly efficient, premium-quality fans. Since then, we have grown, embracing new frontiers in technology and innovation, to become one of the leading consumer electrical brands in India. Today, we are the largest manufacturer and exporter of fans from India with a dominating presence in over 35 international markets. In the domestic market, we enjoy a robust pan-India reach, with over 1 lakh retail outlets and a service network covering 300 cities aided by a 24x7 call center. Not only this, we have also paved the way for pioneering developments in fans, home appliances, lighting and switchgear. We take pride in our R&D capabilities, spirit of continuous innovation and commitment to manufacturing cutting-edge lifestyle electrical products that meet the needs and expectations of modern consumers.

We've always strived to achieve and exceed industry benchmarks in quality and processes through constant evolution and rejuvenation. As always, we'll continue to partner our customers at every stage of their lives by offering superior lifestyle solutions with technology that makes their world safer, easier and creatively inspiring.

Orient Electric offers a diverse variety of lighting solutions apart from its equally diverse range of fans and home appliances. Advancing with modern requirements, the brand constantly upgrades to newer technologies. These, being low on cost and more efficient, are used for industrial lighting and outdoor, and also for specialised lighting requirements. With the power of the most futuristic and smartest lighting solutions, it's so easy to switch to smart.

FELICITATIONS THAT SPUR US ON

Orient Electric and its efforts towards excellence have been lauded by several awards and accolades. Here is a look at some of the most prominent ones.



What is Facade Lighting?

A common belief by architects, designers and consultants is to create a building which is more than just stylish and functional. The concept of façade lighting gives life to any structure which reflects its history, identity of the people and their work associated with it. It is all about bringing buildings to life with illumination.

The old practice of creating building designs with only focus on indoor lighting is now majorly evolving with great external lighting that accentuates the architecture. While the shape and architectural features impose a lasting impression during the day, the façade illumination creates an even more prominent one during the night. It brings a burst of ebullience to the audience and promotes the night tourism for various countries.

The dynamic visuals on the façade with a sequence of coloured themes bring a mesmerising experience for the eyes. There is a dramatic increase in the requirement of façade lighting worldwide; however, there are specific challenges while integrating building designs with lighting in order to achieve the best outcome for the city, business or business owner. For instance, lighting up a monument façade should reveal the customs and ideas of the ancestors associated with it and at the same time, the blend of colours on the façade should underline the building architecture aesthetically. Architectural design, styling and functionality collaborated with technological, dynamic and sustainable lighting deliver a high visual impact while complimenting the surroundings.



PRODUCT PORTFOLIO



LINEAR PROFILES

Softline	2	Lineria	14
Softline HO	6	Lineria HO	18
Lineria LV	10		



PROJECTORS

COLORIS Mini	24	Ballista	36
COLORIS Midi	28	Ballista XL	40
COLORIS Maxi	32		



SPOT LIGHTS

Sierra	46	Quadro M	54
Quadro LV	50	Quadro L	58



UPLIGHTERS

Lincor	64	Cylindra S	76
Arcane Midi	68	Cylindra L	80
Arcane Maxi	72	Cylindra SR	84



UNDERWATER LIGHTS

Aqua F	90	Aqua S	98
Aqua N	94		



CONTROLLER & ACCESSORIES

Lincor	64	Cylindra S	76
Arcane Midi	68	Cylindra L	80
Arcane Maxi	72	Cylindra SR	84



LINEAR PROFILES



SOFTLINE

A bar of light

Softline is an attractive and compact designed light bar meant for easy installation. The easy rotatable brackets enable the mounting in every application. The unique anti-glare diffused lens makes it more soothing to the viewer eyes and illuminating the surface with the variety of beam options.



RoHS



IP65

Features

- Compact design and easy installation.
- Remote power supply design. Order driver in IP65 rated enclosure an IP68 accessories for waterproof installation.
- Available in Mono and RGB/RGBW colour mixing to create any light effect.
- High efficiency light source with long projection distance.
- Supports DMX 512 control system.
- Can be mounted to walls, floors or ceilings ideally suited to architectural lighting landscape lighting, garden lighting, façade lighting, theatres, offices, hotel, shopping centres and night clubs.

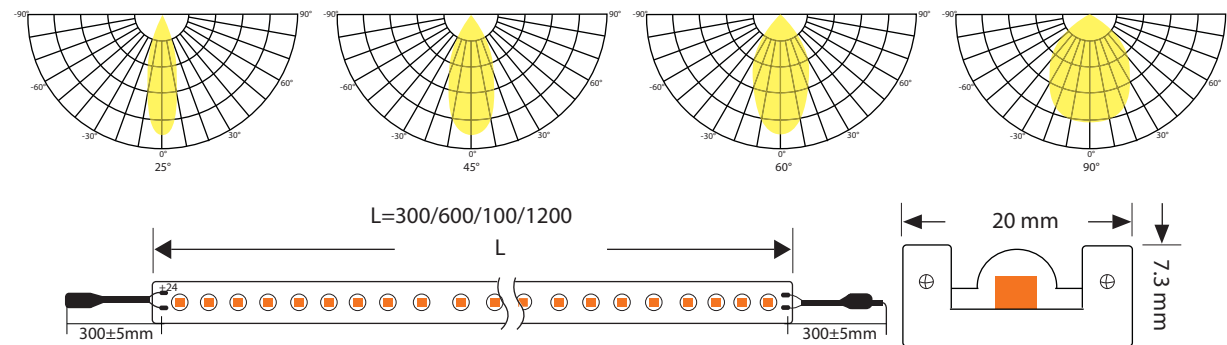
Mounting Options



Rotatable Brackets

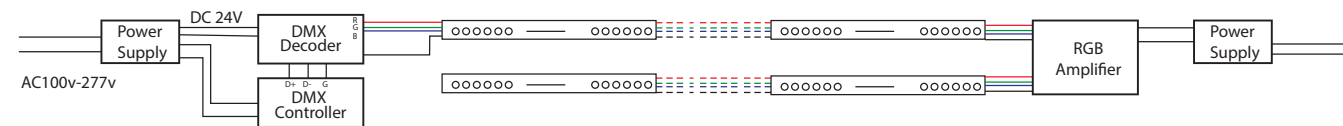
Clips

Polar Curve

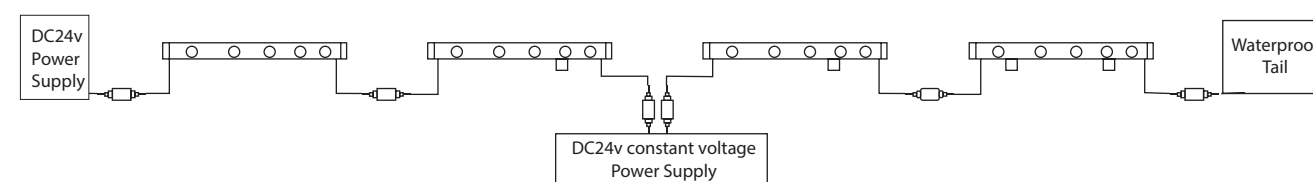


Wire Diagram of Softline

FOR RGB SOFTLINE



FOR MONO SOFTLINE



General Information

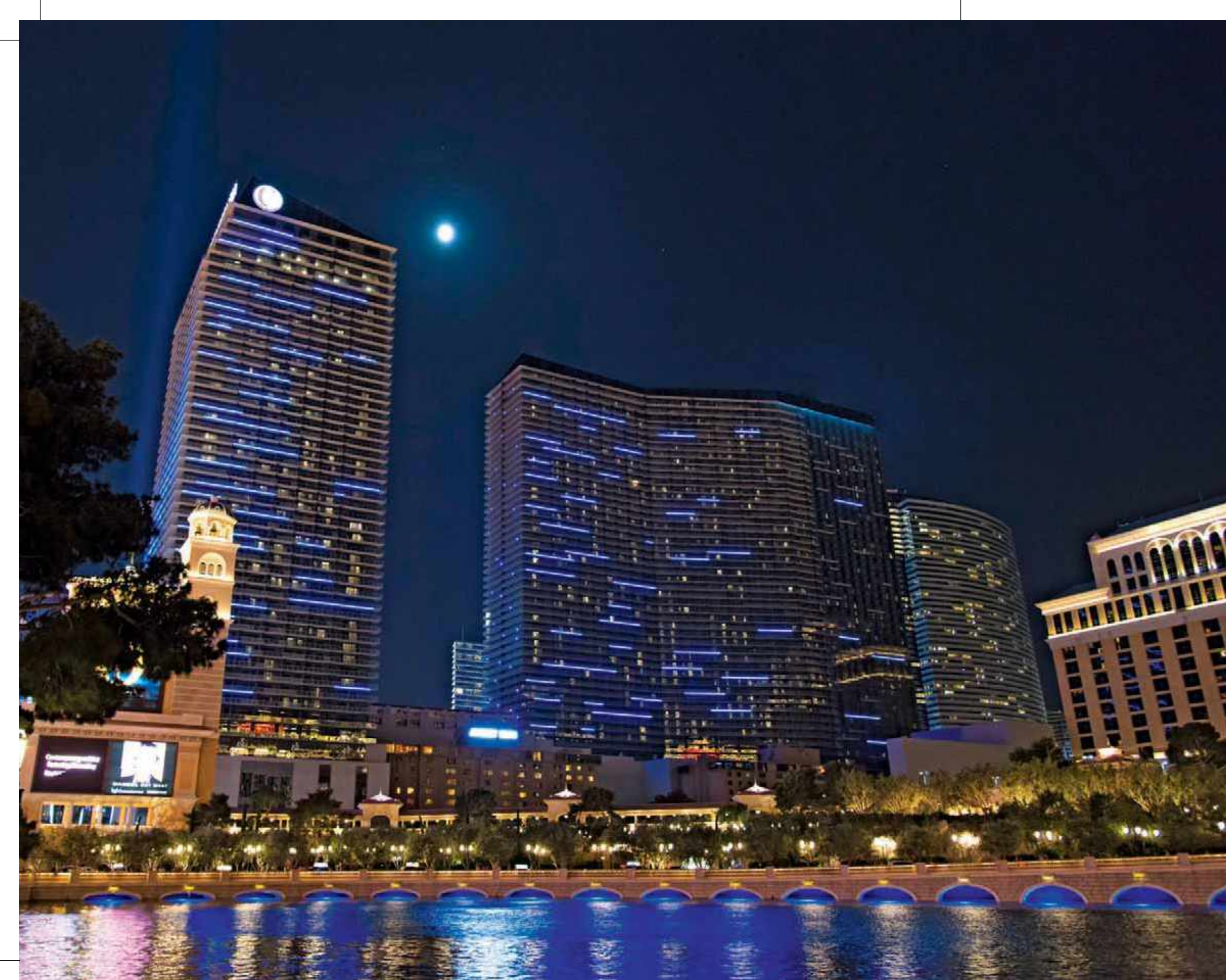
Number of LED	18Nos	36Nos	60Nos	72Nos
Power Consumption	4.3W-300mm	8.2W-600mm	14.4W- 900mm	17.2W-1200mm
Beam Angle	25°, 45°, 60°, 90°			
Input Voltage	DC 24V			
LED Lifetime	>50,000hrs			
Working Ambient Temperature	-35° to 50° C			
Housing Material	Aluminium extrusion			
Lens	Anti glare diffused lens			
Mechanical Impact	IK05			
Certification	BIS, CE			
Environment	Dry/Damp/Wet Location, IP65			

Specifications & Ordering Information

Power(W)	CCT	Lumen	Ordering Code	CRI	Input Voltage	Dimensions(LXWXH)mm
4.3	4000K	355	SL4.3W4K.3M	>80	DC24V	300X20X7.3
8.2	4000K	710	SL8.2W4K.6M	>80	DC24V	600X20X7.3
14.4	4000K	1180	SL14.4W4K.9M	>80	DC24V	900X20X7.3
17.2	4000K	1420	SL17.2W4K1.2M	>80	DC24V	1200X20X7.3
4.3	RGB	160	SL4.3WRGB.3M	-	DC24V	300X20X7.3
8.2	RGB	320	SL8.2WRGB.6M	-	DC24V	600X20X7.3
14.4	RGB	560	SL14.4WRGB.9M	-	DC24V	900X20X7.3
17.2	RGB	640	SL17.2WRGB1.2M	-	DC24V	1200X20X7.3
4.3	RGBW	245	SL4.3WRGBW.3M	>80 (on white only)	DC24V	300X20X7.3
8.2	RGBW	490	SL8.2WRGBW.6M	>80 (on white only)	DC24V	600X20X7.3
14.4	RGBW	730	SL14.4WRGBW.9M	>80 (on white only)	DC24V	900X20X7.3

*Power supply to be ordered separately. Kindly refer to page number- 112-113 for complete ordering accessories.

Dimensions (LXWXH)mm	300X20X7.3	600X20X7.3	900X20X7.3	1200X20X7.3
Finish	Grey	Grey	Grey	Grey
Weight	0.11kg	0.18kg	0.38kg	0.42kg



SOFTLINE HO

A bar of light

Softline HO is an attractive and compact designed light bar meant for easy installation with high lumen requirement. The easy rotatable brackets enable the mounting in every application. The unique anti glare diffused lens makes it more soothing to the viewer's eyes and illuminating the surface with the variety of beam options.

- CE
- RoHS
- RoHS
- IP65

Features

- Compact design and easy installation.
- Remote power supply design. Order driver in IP65 rated enclosure and IP68 accessories for waterproof installation.
- Available in Mono and RGB/RGBW colour mixing to create any light effect.
- High efficiency light source with long projection distance.
- Supports DMX 512 control system.
- Can be mounted to walls, floors or ceilings ideally suited to architectural lighting landscape lighting, garden lighting, façade lighting, theatres, offices, hotel, shopping centres and night clubs.

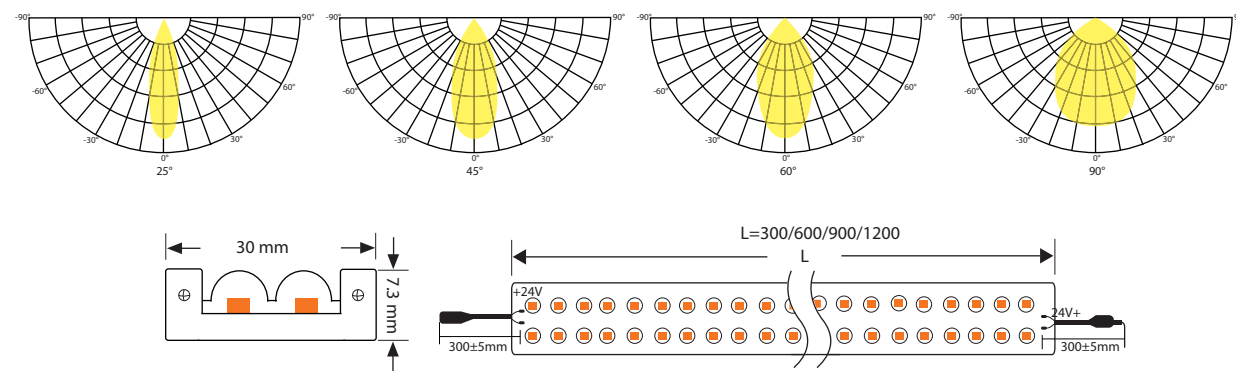
Mounting Options



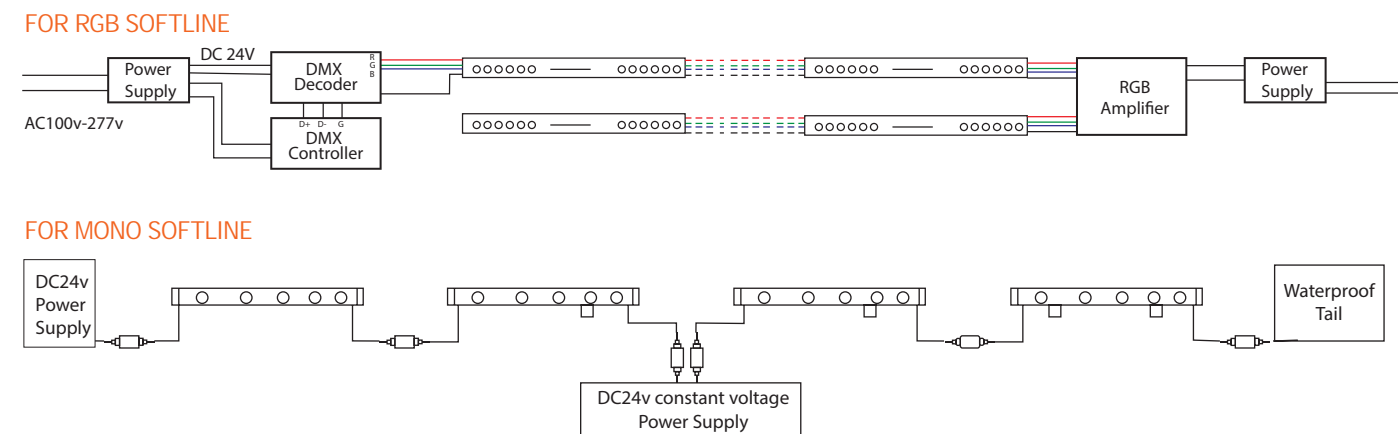
Rotatable Brackets

Clips

Polar Curve



Wire Diagram of Softline



General Information

Number of LED	36Nos	72Nos	120Nos	144Nos
Power Consumption	8.6W- 300mm	17.2W- 600mm	28.8W- 900mm	34.4W - 1200mm
Beam Angle	25°, 45°, 60°, 90°			
Input Voltage	DC 24V			
LED Lifetime	>50,000hrs			
Working Ambient Temperature	-35° to 50° C			
Housing Material	Aluminium extrusion			
Lens	Anti glare diffused lens			
Mechanical Impact	IK06			
Certification	BIS, CE			
Environment	Dry/Damp/Wet Location, IP65			

Specifications & Ordering Information

Power(W)	CCT	Lumen	Ordering Code	CRI	Input Voltage	Dimensions(LXWXH)mm
8.6	4000K	645	SLH08.6W4K.3M	>80	DC24V	300X30X7.3
17.2	4000K	1280	SLH017.2W4K.6M	>80	DC24V	600X30X7.3
28.8	4000K	2150	SLH028.8W4K.9M	>80	DC24V	900X30X7.3
34.4	4000K	2560	SLH034.4W4K.1.2M	>80	DC24V	1200X30X7.3
8.6	RGB	320	SLH08.6WRGB.3M	-	DC24V	300X30X7.3
17.2	RGB	640	SLH017.2WRGB.6M	-	DC24V	600X30X7.3
28.8	RGB	1120	SLH028.8WRGB.9M	-	DC24V	900X30X7.3
34.4	RGB	1280	SLH034.4WRGB.1.2M	-	DC24V	1200X30X7.3
8.6	RGBW	575	SLH08.6WRGBW.3M	>80 (on white only)	DC24V	300X30X7.3
17.2	RGBW	1150	SLH017.2WRGBW.6M	>80 (on white only)	DC24V	600X30X7.3
28.8	RGBW	1725	SLH028.8WRGBW.9M	>80 (on white only)	DC24V	900X30X7.3

*Power supply to be ordered separately. Kindly refer to page number- 112-113 for complete ordering accessories.

Dimensions(LXWXH)mm	300X20X7.3	600X20X7.3	900X20X7.3	1200X20X7.3
Finish	Grey	Grey	Grey	Grey
Weight	0.14	0.24	0.49	0.46



LINERIA LV

Accentuate design by light

Lineria LV offers versatile application remote driver LED luminaire with a variety of lens providing glare control for the shallow sight lines. The luminaire is suitable for low-height applications.



RoHS

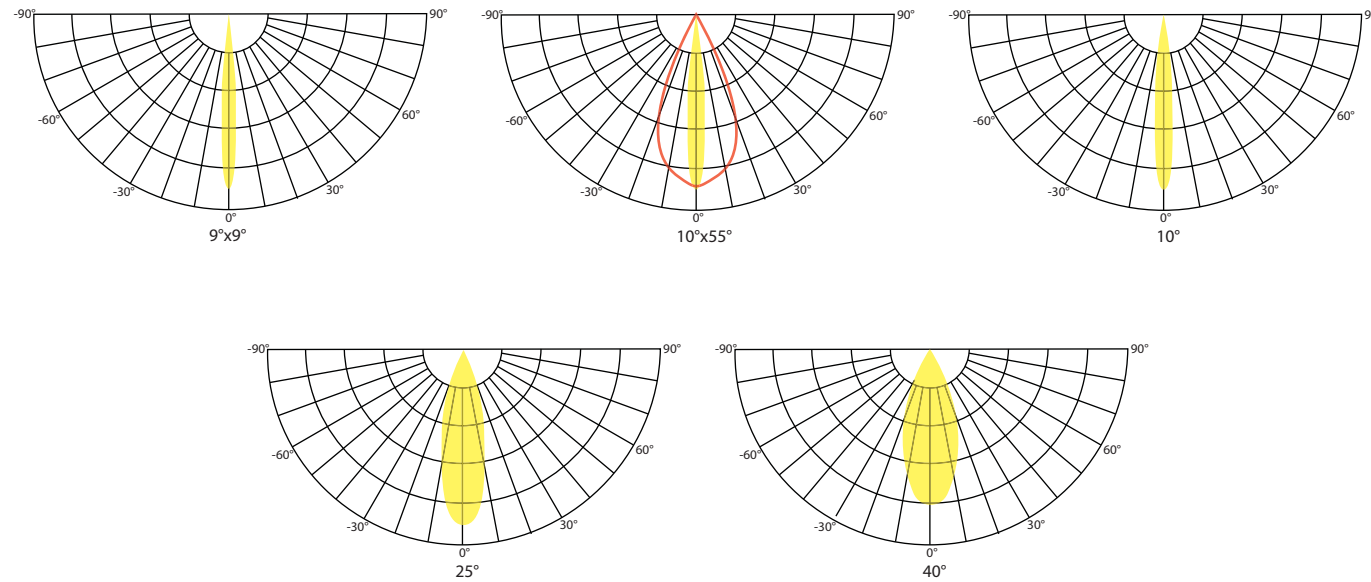


IP65

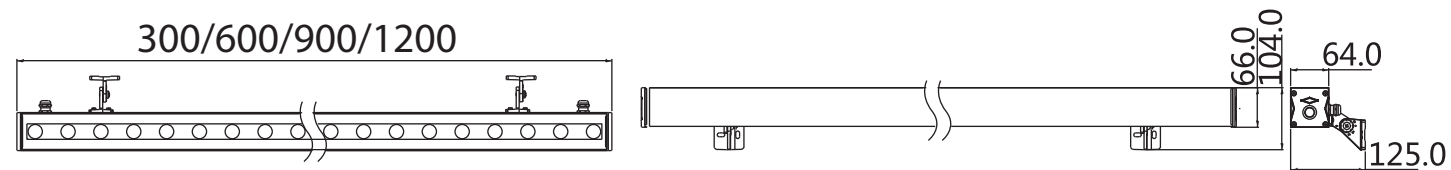
Features

- Choice of mounting- horizontal, vertical, 0-90 degree swivel mounting clips.
- Sleek and high quality extruded aluminum construction.
- Remote power supply design. Order driver in IP65 rated enclosure and IP68 accessories for waterproof installation.
- Wide range of CCT output 2700k, 3000k, 4000k, 5700k, RGB, RGBA, RGBW, 2700-6500K.
- LED lifetime >70,000hrs.

Polar Curve



Product Dimension



General Information

Power Consumption	300mm- 10W, 600mm- 20W, 900mm-30W, 1200mm-40W
Beam Angle	9°x9°, 10°, 25°, 45°, 10X55°
Input Voltage	DC 24V
LED Lifetime	>70,000hrs
Working Ambient Temperature	-35° to 50° C
Housing Material	Extruded aluminium
Lens	UV protected clear lens
Mechanical Impact(Glass/Body)	IK07
Certification	BIS, CE
Environment	Dry/Damp/Wet location, IP66

Specifications & Ordering Information

Power(W)	CCT	Lumen	Ordering Code	CRI	Input Voltage	Dimensions(LXWXH)mm
10	4000K	600	LALV10W4K.3M	>80	DC24V	300X64X66
20	4000K	1200	LALV20W4K.6M	>80	DC24V	600X64X66
30	4000K	1800	LALV30W4K.9M	>80	DC24V	900X64X66
40	4000K	2400	LALV40W4K1.2M	>80	DC24V	1200X64X66
10	RGB	250	LALV10WRGB.3M	-	DC24V	300X64X66
20	RGB	500	LALV20WRGB.6M	-	DC24V	600X64X66
30	RGB	750	LALV30WRGB.9M	-	DC24V	900X64X66
40	RGB	1000	LALV40WRGB1.2M	-	DC24V	1200X64X66

Note: Beam angle for the above products is 25° by default. For ordering codes of other beam angles, please connect with an Orient representative.

*Power supply to be ordered separately. Kindly refer to page number- 112-113 for complete ordering accessories.

Dimensions(LXWXH)mm	300X64X66	600X64X66	900X64X66	1200X64X66
Finish	Grey	Grey	Grey	Grey
Weight(KG)	2	3.6	3.8	5



LINERIA

Accentuate design by light

Lineria provides a new level of flexibility for façade lighting. With precision optics and powered directly with the AC line voltage, Lineria provides long beam throw for wallwashing and grazing effects. Lineria reduces the project system cost with common power and signal cables.



RoHS

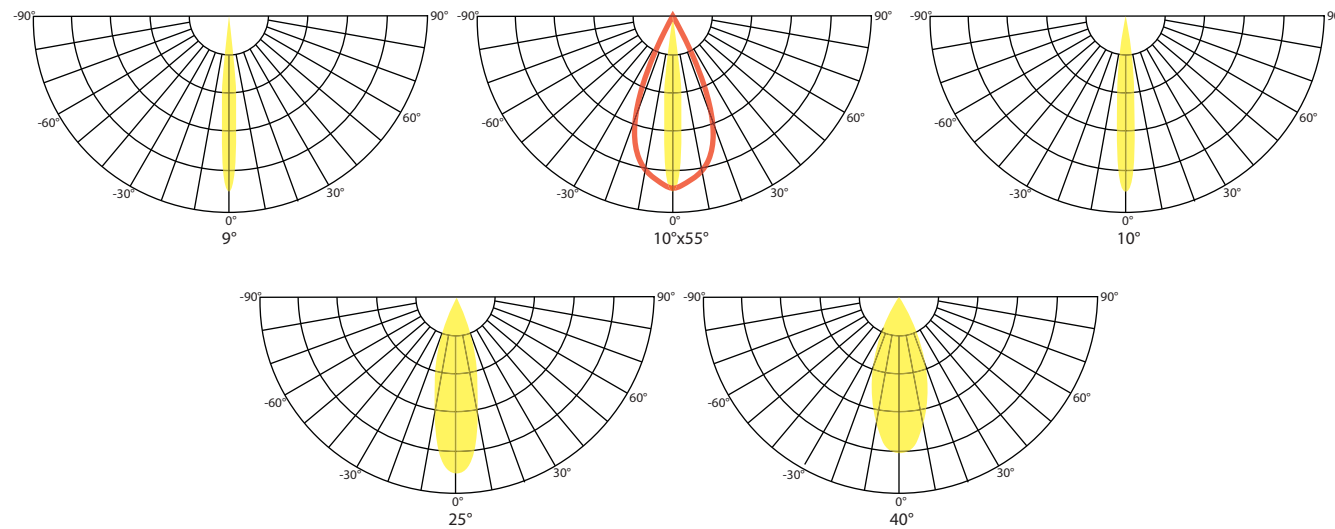


IP66

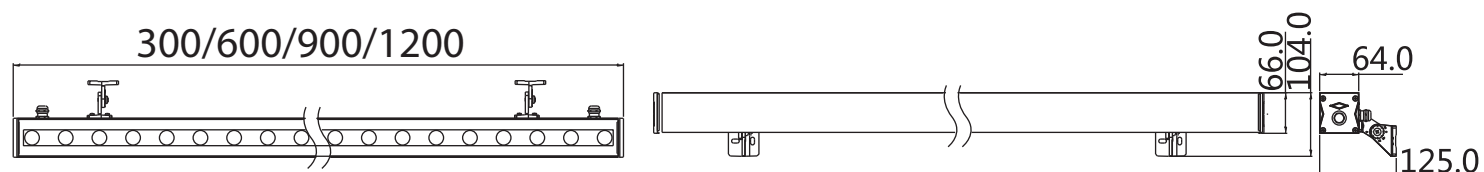
Features

- Simple Plug 'n' Play connections with waterproof connectors.
- Common data and signal cable carrying AC 100-277V and DMX signals together.
- Sleek design of aluminum extruded profile gives a rich look to the fixture.
- Variety of beam angle options for various applications.
- High light output and efficacy.
- Wide range of CCT output 2700k, 3000k, 4000k, 5700k, RGB, RGBW, RGBA, 2700-6500K.
- LED lifetime >70,000hrs.

Polar Curve



Product Dimension



General Information

Power Consumption	600mm-14W and 1200mm-28W
Beam Angle	9°x9°, 10°, 25°, 45°, 10X55°
Input Voltage	AC 100-277V
LED Lifetime	>70,000hrs
Working Ambient Temperature	-35° to 50° C
Housing Material	Extruded aluminium
Lens	UV protected clear lens
Mechanical Impact(Glass/Body)	IK07
Certification	BIS, CE
Environment	Dry/Damp/Wet location, IP66

Specifications & Ordering Information

Power(W)	CCT	Lumen	Ordering Code	CRI	Input Voltage	Dimensions(LXWXH)mm
14	4000K	910	LA14W4K.6M	>80	AC 100-277V	600X64X66
28	4000K	1820	LA28W4K1.2M	>80	AC 100-277V	1200X64X66
14	RGB	364	LA14WRGB.6M	-	AC 100-277V	600X64X66
28	RGB	728	LA28WRGB1.2M	-	AC 100-277V	1200X64X66

Note: Beam angle for the above products is 25° by default. For ordering codes of other beam angles, please connect with an Orient representative.

*Kindly refer to page number- 112-113 for complete ordering accessories.

Dimensions(LXWXH)mm	600X64X66	1200X64X66
Finish	Grey	Grey
Weight (KG)	3.9	5.3



LINERIA HO

Accentuate design by light

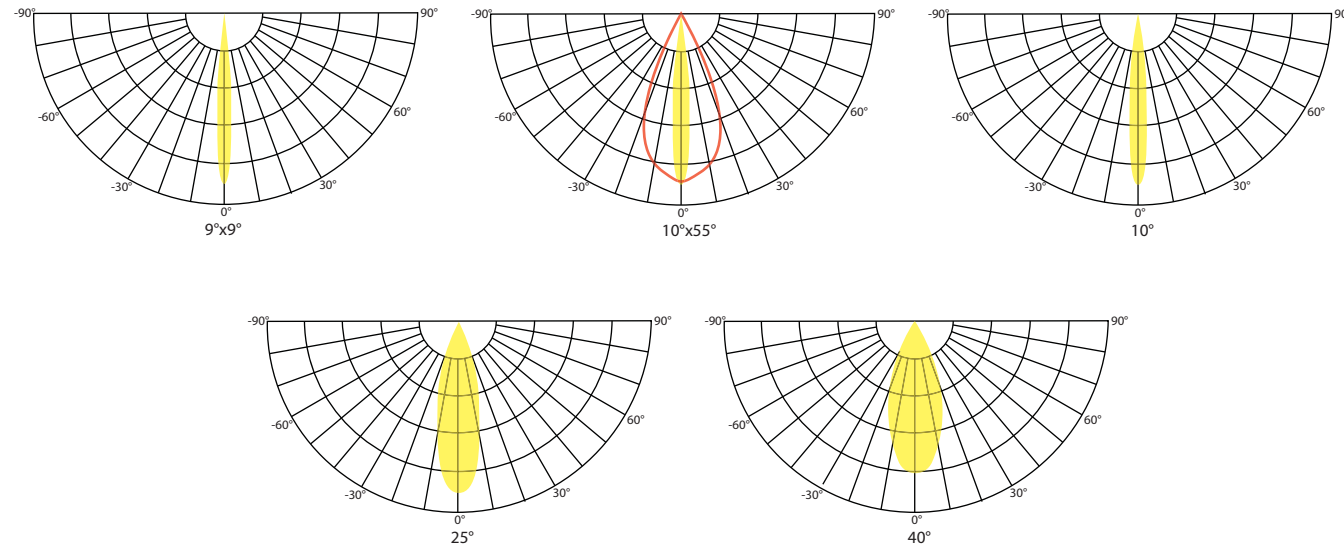
Lineria HO (High Output) provides a new level of flexibility for façade lighting. With precision optics and powered directly with the AC line voltage, Lineria provides long beam throw for wallwashing and grazing effects. Lineria reduces the project system cost with common power and signal cables.



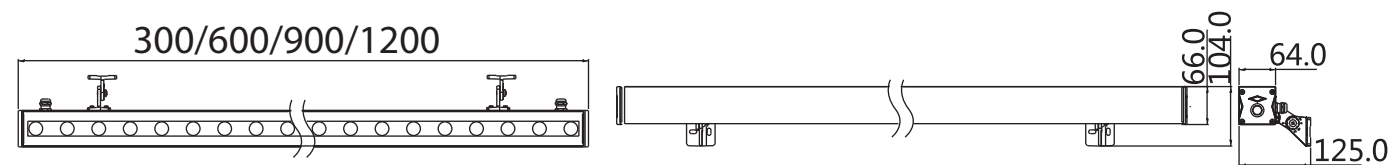
Features

- Simple Plug 'n' Play connections with waterproof connectors.
- Common data and signal cable carrying AC 100-277V and DMX signals together.
- Sleek design of aluminum extruded profile gives a rich look to the fixture.
- Variety of beam angle options for various applications.
- High light output and efficacy.
- Wide range of CCT output 2700k, 3000k, 4000k, 5700k, RGB, RGBW, RGBA, 2700-6500K.
- LED lifetime >70,000hrs.

Polar Curve



Product Dimension



General Information

Power Consumption	300mm- 18W and 1200mm- 60W
Beam Angle	9°x9°, 10°, 25°, 45°, 10X55°
Input Voltage	AC 100-277V
LED Lifetime	>70,000hrs
Working Ambient Temperature	-35° to 50° C
Housing Material	Extruded aluminium
Lens	UV protected clear lens
Mechanical Impact	IK07
Certification	BIS, CE
Environment	Dry/Damp/Wet location, IP66

Specifications & Ordering Information

Power(W)	CCT	Lumen	Ordering Code	CRI	Input Voltage	Dimensions(LXWXH)mm
18	4000K	1152	LAH018W4K.3M	>80	AC 100-277V	300X64X66
60	4000K	3840	LAH060W4K1.2M	>80	AC 100-277V	1200X64X66
18	RGB	504	LAH018WRGB.3M	-	AC 100-277V	300X64X66
60	RGB	1680	LAH060WRGB1.2M	-	AC 100-277V	1200X64X66

Note: Beam angle for the above products is 25° by default. For ordering codes of other beam angles, please connect with an Orient representative.

*Kindly refer to page number- 112-113 for complete ordering accessories.

Dimensions(LXWXH)mm	300X64X66	1200X64X66
Finish	Grey	Grey
Weight (KG)	2.2	5.4

PROJECTOR





COLORIS-Mini

Power house of light

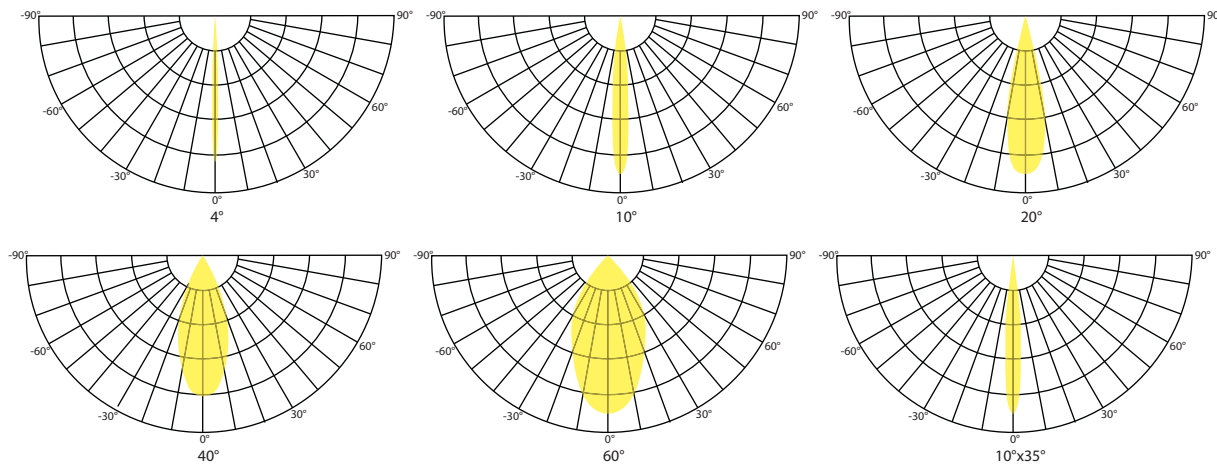
COLORIS Mini provides unique high-quality light for highlighting facades, building cornices and crowns. The excellent performance of this spotlight in terms of energy-saving and efficacy combines the long life of 50,000 hours and material with IP66 protection for outdoor installation.



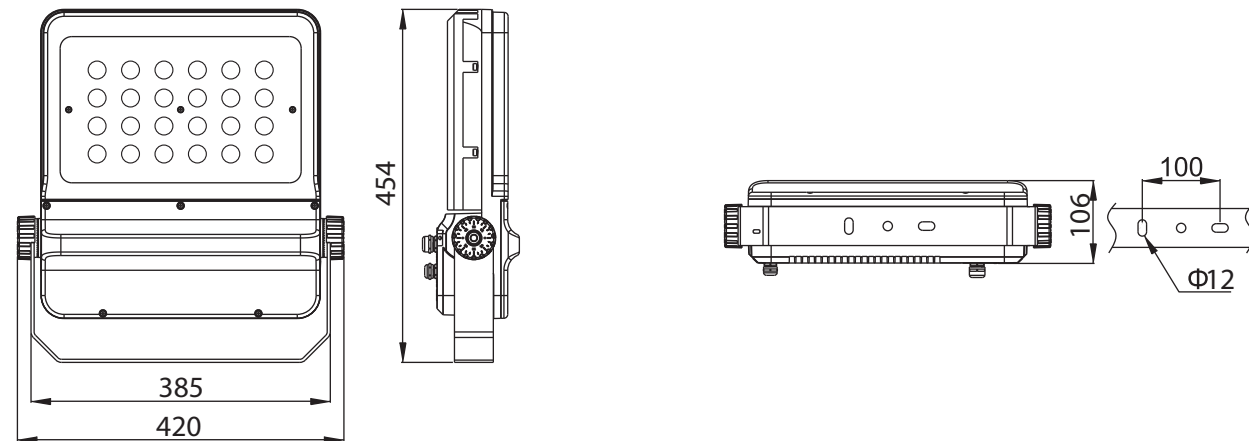
Features

- Wide range of CCT output 2700k, 3000k, 4000k, 5700k, RGB, RGBA, RGBW, 2700-6500K.
- Powered directly with AC line voltage.
- High-quality die-cast aluminium construction.
- Powerful flood light with super consistent light and colour mixing of 16.7 million RGB plus W colours.
- COLORIS comes with a variety of beam angles for various applications.
- LED lifetime > 70,000 hrs.

Polar Curve



Product Dimension



General Information

Number of LED	36	36	48	48
Power Consumption	50W	70W	80-90W	120-130W
Beam Angle	4°, 10°, 20°, 40°, 60°, 10X35°			
Input Voltage	AC 100-277V			
LED Lifetime	>70,000hrs			
Working Ambient Temperature	-35° to 50° C			
Housing Material	Die-cast aluminium			
Lens	UV protected clear lens			
Mechanical Impact (Glass/Body)	IK07			
Certification	BIS, CE			
Environment	Dry/Damp/Wet Location, IP66			

Specifications & Ordering Information

Power(W)	CCT	Lumen	Ordering Code	CRI	Input Voltage	Dimensions(LXWXH)mm
50	4000K	4416	COMI50W4K40D	>80	AC 100-277V	340X90X405
70	4000K	5388	COMI70W4K40D	>80	AC 100-277V	340X90X405
80	4000K	6652	COMI80W4K40D	>80	AC 100-277V	340X90X405
130	4000K	12000	COMI130W4K40D	>80	AC 100-277V	340X90X405
50	RGB	1980	COMI50WRGB40D	-	AC 100-277V	340X90X405
70	RGB	2415	COMI70WRGB40D	-	AC 100-277V	340X90X405
90	RGB	2995	COMI90WRGB40D	-	AC 100-277V	340X90X405
120	RGB	3993	COMI120WRGB40D	-	AC 100-277V	340X90X405
50	RGBW	-	COMI50WRGBW40D	>80 (on white only)	AC 100-277V	340X90X405
70	RGBW	-	COMI70WRGBW40D	>80 (on white only)	AC 100-277V	340X90X405
90	RGBW	-	COMI90WRGBW40D	>80 (on white only)	AC 100-277V	340X90X405
120	RGBW	-	COMI120WRGBW40D	>80 (on white only)	AC 100-277V	340X90X405

Note: Beam angle for the above products is 40° by default. For ordering codes of other beam angles, please connect with an Orient representative.

*Kindly refer to page number- 112-113 for complete ordering accessories.

Dimensions(LXWXH)mm	340X90X405
Finish	Grey
Weight	7kg



COLORIS-Midi

Power house of light

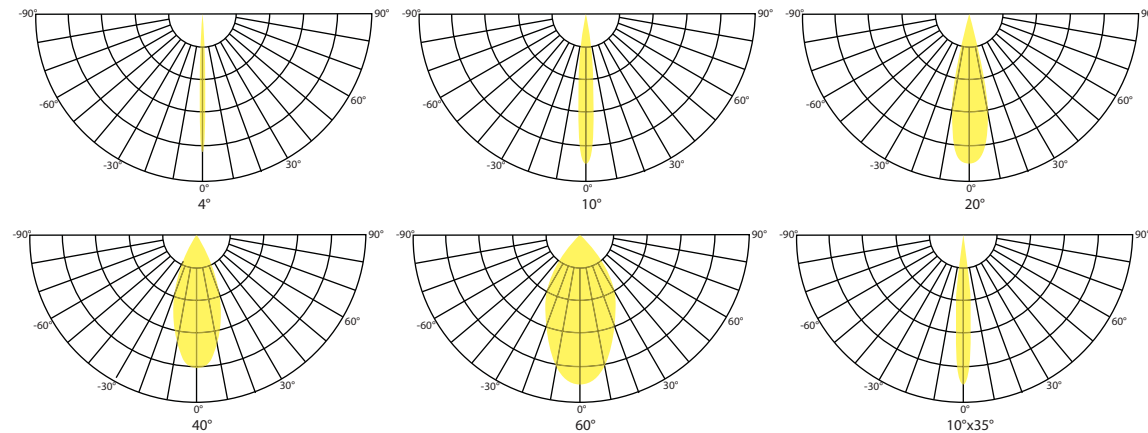
COLORIS Midi provides unique high-quality light for highlighting facades, building cornices and crowns. The excellent performance of this spotlight in terms of energy-saving and efficacy combines the long life of 50,000 hours and material with IP66 protection for outdoor installation.



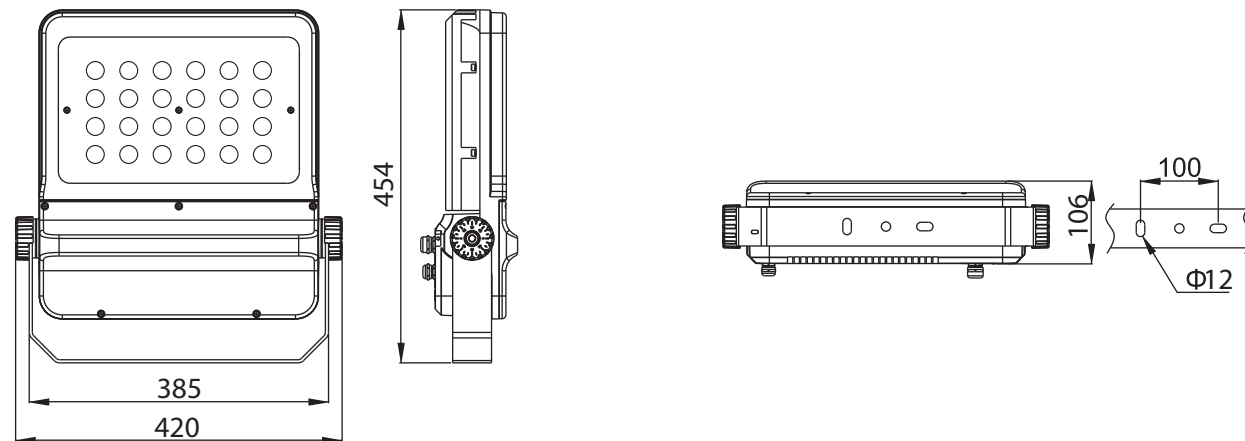
Features

- Wide range of CCT output 2700k, 3000k, 4000k, 5700k, RGB, RGBA, RGBW, 2700-6500K.
- Powered directly with AC line voltage.
- High-quality die-cast aluminium construction.
- Powerful flood light with super consistent light and colour mixing of 16.7 million RGB plus W colours.
- COLORIS comes with a variety of beam angles for various applications.
- LED lifetime > 70,000 hrs.

Polar Curve



Product Dimension



General Information

Number of LED	72	72	72
Power Consumption	150W	185-190W	240W
Beam Angle	4°, 10°, 20°, 40°, 60°, 80°, 10X35°		
Input Voltage	AC 100-277V		
LED Lifetime	>70,000hrs		
Working Ambient Temperature	-35° to 50° C		
Housing Material	Die-cast aluminium		
Lens	UV protected clear lens		
Mechanical Impact (Glass/Body)	IK07		
Certification	BIS, CE		
Environment	Dry/Damp/Wet Location, IP66		

Specifications & Ordering Information

Power(W)	CCT	Lumen	Ordering Code	CRI	Input Voltage	Dimensions(LXWXH)mm
150	4000K	12038	COMD150W4K40D	>80	AC 100-277V	420X106X454
190	4000K	16480	COMD190W4K40D	>80	AC 100-277V	420X106X454
240	4000K	18168	COMD240W4K40D	>80	AC 100-277V	420X106X454
150	RGB	-	COMD150WRGB40D	-	AC 100-277V	420X106X454
185	RGB	-	COMD185WRGB40D	-	AC 100-277V	420X106X454
240	RGB	-	COMD240WRGB40D	-	AC 100-277V	420X106X454
150	RGBW	-	COMD150WRGBW40D	>80 (on white only)	AC 100-277V	420X106X454
185	RGBW	5990	COMD185WRGBW40D	>80 (on white only)	AC 100-277V	420X106X454
240	RGBW	-	COMD240WRGBW40D	>80 (on white only)	AC 100-277V	420X106X454

Note: Beam angle for the above products is 40° by default. For ordering codes of other beam angles, please connect with an Orient representative.

*Kindly refer to page number- 112-113 for complete ordering accessories .

Dimensions(LXWXH)mm	420X106X454
Finish	Grey
Weight	10.2kgs



COLORIS-Maxi

Power house of light

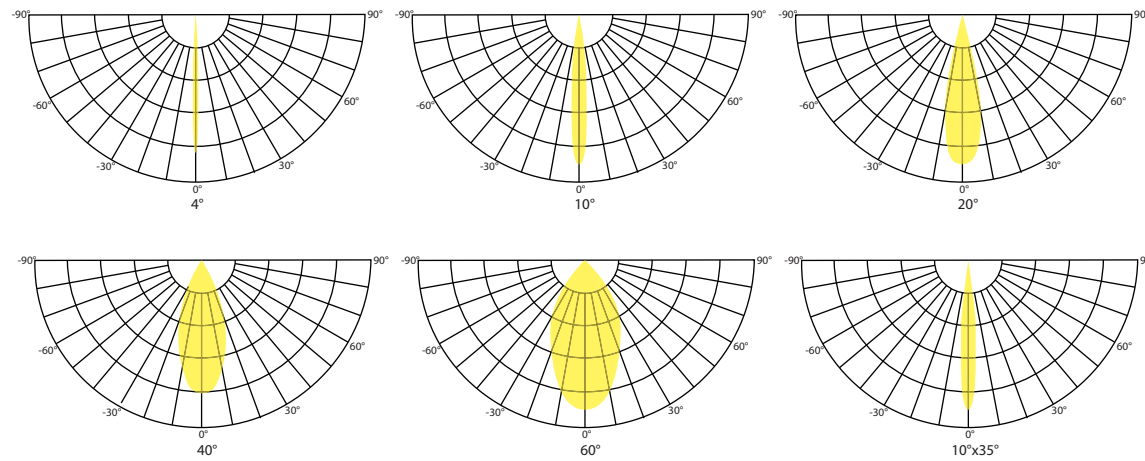
COLORIS Maxi provides unique high-quality light for highlighting facades, building cornices and crowns. The excellent performance of this spotlight in terms of energy-saving and efficacy combines the long life of 50,000 hours and material with IP66 protection for outdoor installation.



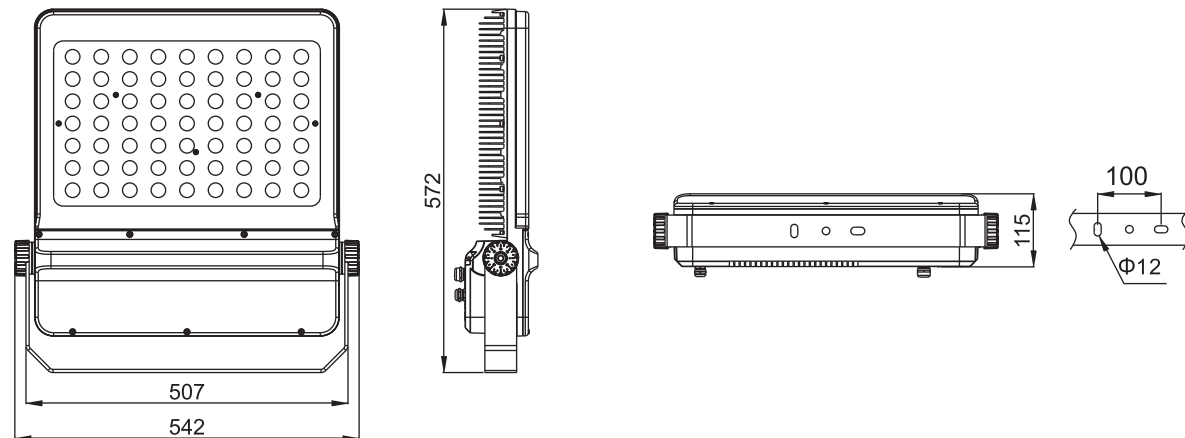
Features

- Wide range of CCT output 2700k, 3000k, 4000k, 5700k, RGB, RGBA, RGBW, 2700-6500K.
- Powered directly with AC line voltage.
- High-quality die-cast aluminium construction.
- Powerful flood light with super consistent light and colour mixing of 16.7 million RGB plus W colours.
- COLORIS comes with a variety of beam angles for various applications.
- LED lifetime > 70,000 hrs.

Polar Curve



Product Dimension



General Information

Number of LED	132	132
Power Consumption	290W	350W
Beam Angle	4°, 10°, 20°, 40°, 60°, 80°, 10X35°	
Input Voltage	AC 100-277V	
LED Lifetime	>70,000hrs	
Working Ambient Temperature	-35° to 50° C	
Housing Material	Die-cast aluminium	
Lens	UV protected clear lens	
Mechanical Impact (Glass/Body)	IK07	
Certification	BIS, CE	
Environment	Dry/Damp/Wet Location, IP66	

Specifications & Ordering Information

Power(W)	CCT	Lumen	Ordering Code	CRI	Input Voltage	Dimensions(LXWXH)mm
290W	4000K	23334	COMA290W4K40D	>80	AC 100-277V	542X115X572
350W	4000K	29411	COMA350W4K40D	>80	AC 100-277V	542X115X572
290W	RGB	-	COMA290WRGB40D	-	AC 100-277V	542X115X572
350W	RGB	-	COMA350WRGB40D	-	AC 100-277V	542X115X572
290W	RGBW	-	COMA290WRGBW40D	>80 (on white only)	AC 100-277V	542X115X572
350W	RGBW	10980	COMA350WRGBW40D	>80 (on white only)	AC 100-277V	542X115X572

Note: Beam angle for the above products is 40° by default. For ordering codes of other beam angles, please connect with an Orient representative.

*Kindly refer to page number- 112-113 for complete ordering accessories.

Dimensions(LXWXH)mm	542X115X572
Finish	Grey
Weight	16.6kgs



BALLISTA

Power house of light

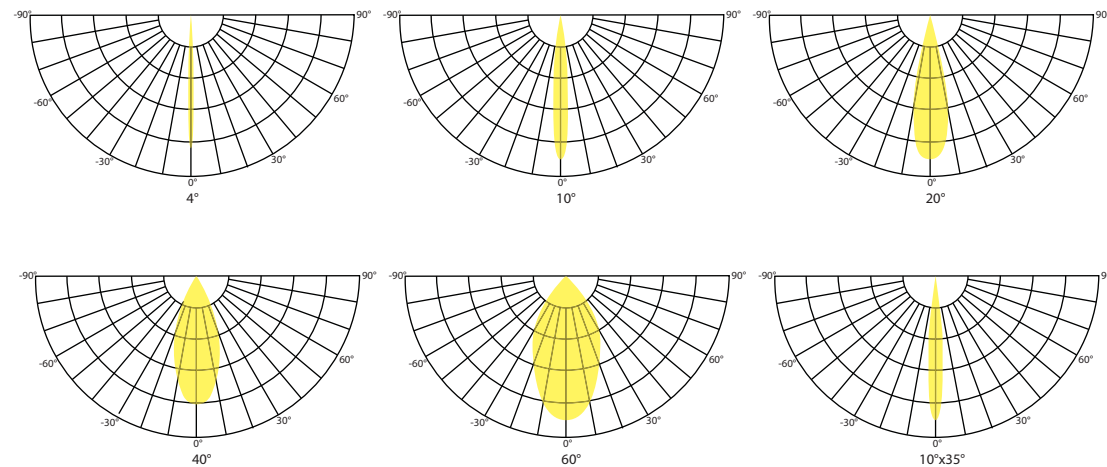
BALLISTA is a highly efficient LED luminaire that offers long-distance projections of light. Ballista has the capability of illuminating mid-rise buildings, monuments, bridges etc. Integrated with the best-in-class power supply and superior heat radiation ability, Ballista gives a power-packed performance.



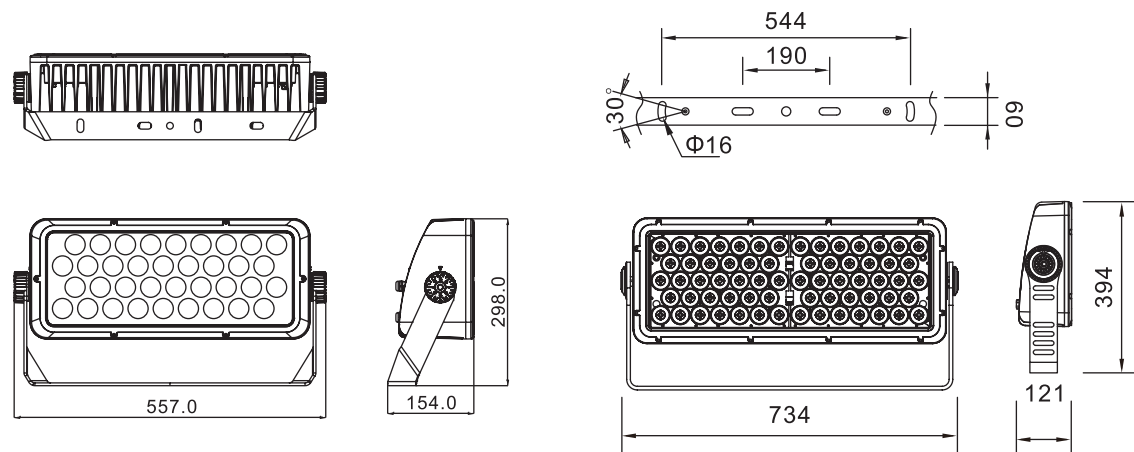
Features

- Wide range of CCT output 2700k, 3000k, 4000k, 5700k, RGB, RGBA, RGBW, 2700-6500K.
- Powered directly with AC line voltage.
- High-quality die-cast aluminium construction.
- Powerful flood light with super consistent light and colour mixing of 16.7 million RGB plus W colours.
- Ballista comes with a variety of beam angles for various applications.
- LED lifetime > 70,000 hrs.

Polar Curve



Product Dimension



General Information

Number of LED	36	78	88
Power Consumption	82-120W	200W	250-300W
Beam Angle	4°, 10°, 20°, 40°, 60°, 80°, 10X35°		
Input Voltage	AC 100-277V		
LED Lifetime	>70,000hrs		
Working Ambient Temperature	-35° to 50° C		
Housing Material	Die-cast aluminium		
Lens	UV protected clear lens		
Mechanical Impact (Glass/Body)	IK07		
Certification	BIS, CE		
Environment	Dry/Damp/Wet Location, IP66		

Specifications & Ordering Information

Power(W)	CCT	Lumen	Ordering Code	CRI	Input Voltage	Dimensions(LXWXH)mm
120	4000K	8820	BA120W4K40D	>80	AC 100-277V	557X154X298
200	4000K	15560	BA200W4K40D	>80	AC 100-277V	734X121X394
300	4000K	16175	BA300W4K40D	>80	AC 100-277V	734X121X394
82	RGB	-	BA82WRGB40D	-	AC 100-277V	557X154X298
200	RGB	-	BA200WRGB40D	-	AC 100-277V	734X121X394
250	RGB	-	BA250WRGB40D	-	AC 100-277V	734X121X394
82	RGBW	3670	BA82WRGBW40D	>80 (on white only)	AC 100-277V	557X154X298
200	RGBW	8160	BA200WRGBW40D	>80 (on white only)	AC 100-277V	734X121X394
250	RGBW	8750	BA250WRGBW40D	>80 (on white only)	AC 100-277V	734X121X394

Note: Beam angle for the above products is 40° by default. For ordering codes of other beam angles, please connect with an Orient representative.

*Kindly refer to page number- 112-113 for complete ordering accessories.

Dimensions(LXWXH)mm	557X154X298	734X121X394	734X121X394
Finish	Grey	Grey	Grey
Weight	9kgs	16.5kgs	16.5kgs



BALLISTA XL

Power house of light

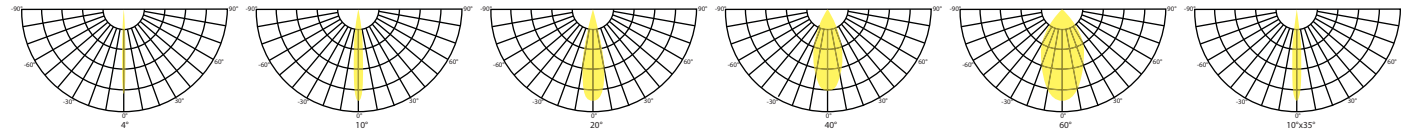
BALLISTA XL is a highly efficient LED luminaire that offers long-distance projections of light. Ballista has the capability of illuminating high-rise buildings, monuments, bridges etc. Integrated with the best-in-class power supply and superior heat radiation ability, Ballista XL gives a power-packed performance.



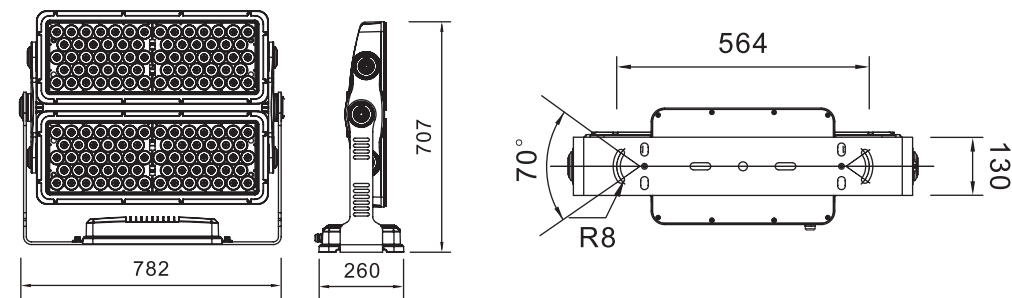
Features

- Wide range of CCT output 2700k, 3000k, 4000k, 5700k, RGB, RGBA, RGBW, 2700-6500K.
- Powered directly with AC line voltage.
- High-quality die-cast aluminium construction.
- Powerful flood light with super consistent light and colour mixing of 16.7 million RGB plus W colours.
- Ballista comes with a variety of beam angles for various applications.
- LED lifetime > 70,000 hrs.

Polar Curve

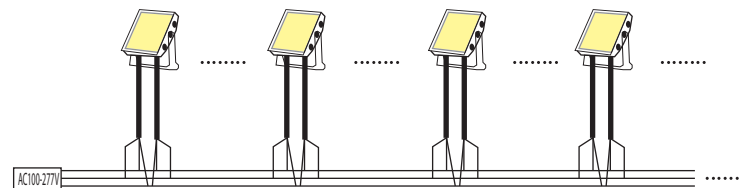


Product Dimension

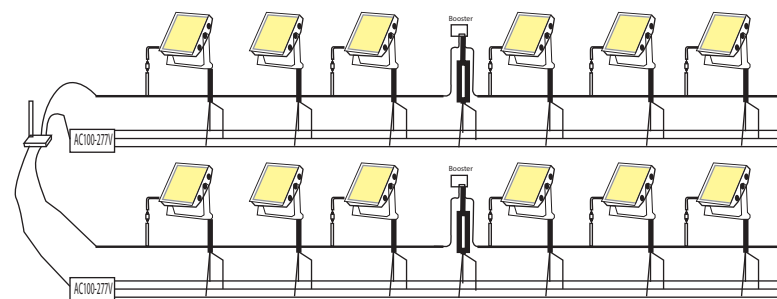


Wire Diagram of Ballista XL

WIRING DIAGRAM OF BALLISTA MONO



WIRING DIAGRAM OF BALLISTA RGB



General Information

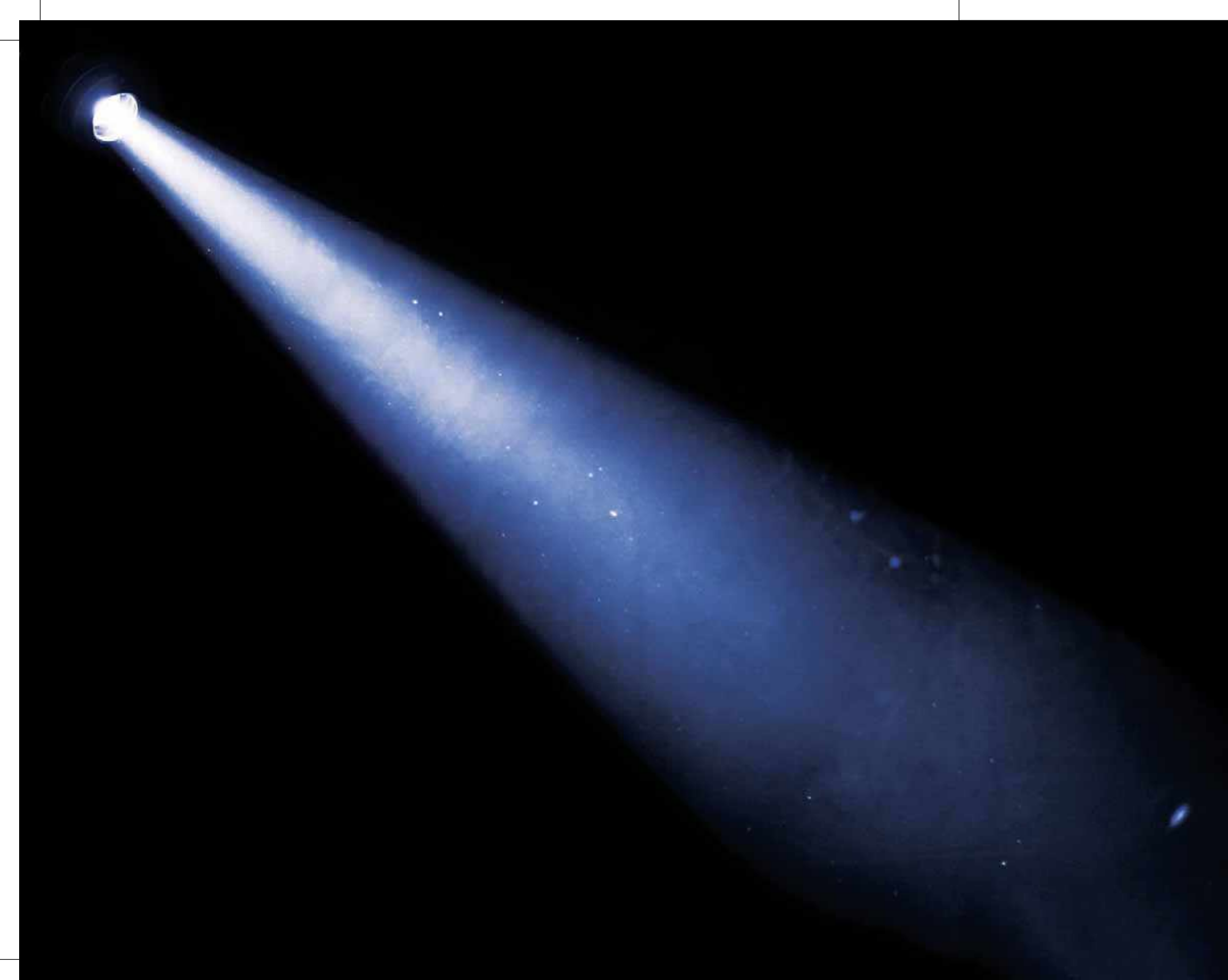
Number of LED	176
Power Consumption	500, 600W
Beam Angle	4°, 10°, 20°, 40°, 60°, 80°, 10X35°
Input Voltage	AC 100-277V
LED Lifetime	>70,000hrs
Working Ambient Temperature	-35° to 50° C
Housing Material	Die-cast aluminium
Lens	UV protected clear lens
Mechanical Impact (Glass/Body)	IK07
Certification	BIS, CE
Environment	Dry/Damp/Wet Location, IP66

Specifications & Ordering Information

Power(W)	CCT	Lumen	Ordering Code	CRI	Input Voltage	Dimensions(LXWXH)mm
600	4000K	32350	BAXL600W4K40D	>80	AC 100-277V	782X260X707
500	RGB	-	BAXL500WRGB40D	-	AC 100-277V	782X260X707
500	RGBW	17500	BAXL500WRGBW40D	>80 (on white only)	AC 100-277V	782X260X707

Note: Beam angle for the above products is 40° by default. For ordering codes of other beam angles, please connect with an Orient representative.
*Kindly refer to page number- 102-103 for complete ordering accessories.

Dimensions(LXWXH)mm	782X260X707
Finish	Grey
Weight	30kgs



SPOTLIGHTS



SIERRA

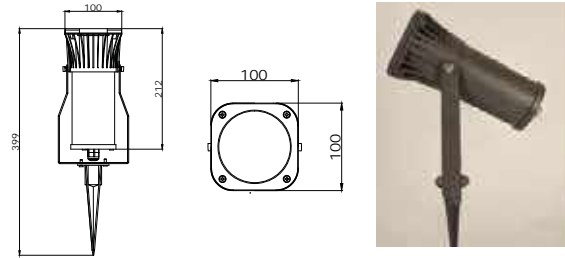
SIERRA offers a wide range of exclusive luminaires suitable for mounting on walls and floors. The excellent performance of this spotlight in terms of energy saving and efficacy combines the long life of 50,000 hours and material with IP66 protection for outdoor installation.



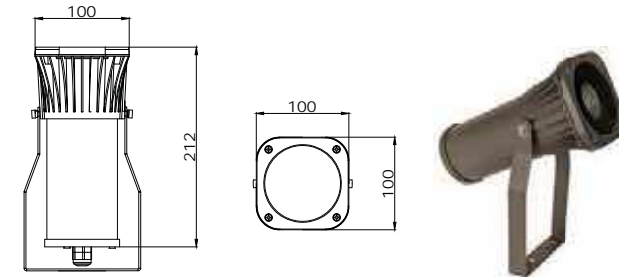
Features

- Product gives an antique look in urban landscape.
- Excellent heat sink with Aluminium diecast housing.
- Available in narrow and wide beam angles.
- Designed to provide value technology like in-built protection against high voltage surge, open and short circuit ideally suited to Indian conditions.
- Luminaire is provided with all accessories with easy installation & serviceability.
- Solution offered are backed by extensive understanding of illumination in urban spaces.

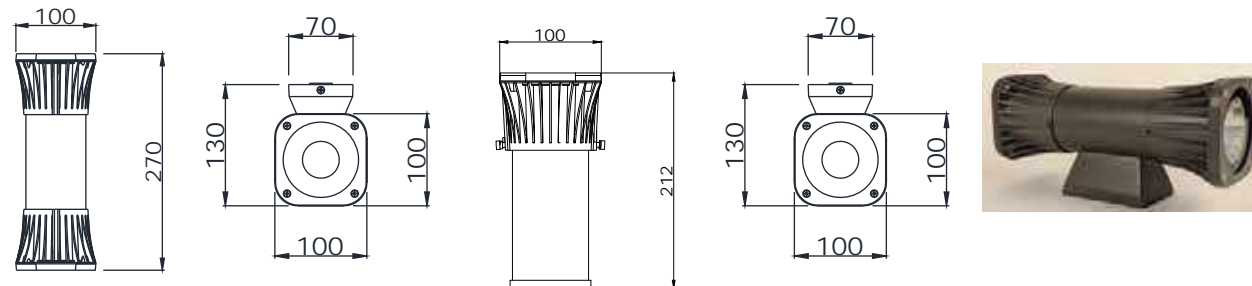
SIERRA-SPOT



SIERRA-SPIKE



SIERRA-WALL



General Information

Power Consumption	9-40W
Input Voltage	150-270V
LED Lifetime	>50,000hrs
Working Ambient Temperature	-10° to 50° C
Housing Material	Aluminium with toughened glass
Mechanical Impact	IK07
Surge Protection	4KV
Certification	BIS, CE
Environment	Dry/Damp/Wet Location, IP65

Specifications & Ordering Information

Power(W)	Mounting	CCT	Lumen	Ordering Code	CRI	Input Voltage	Dimensions(LXWXH) mm
9W	Ground-Spot	3000K	500	SR9WGS3K	>80	150-270V	212X100
25W	Ground-Spot	3000K	2500	SR25WGS3K	>80	150-270V	212X100
9W	Ground-Spike	3000K	500	SR9WG3KSPK	>80	150-270V	212X100
25W	Ground-Spike	3000K	2500	SR25WG3KSPK	>80	150-270V	212X100
9W	Wall 1-way	3000K	500	SR9W3K1W	>80	150-270V	212X100
25W	Wall 1-way	3000K	2500	SR25W3K1W	>80	150-270V	212X100
2X4.5W	Wall 2-way	3000K	675	SR9W3K2W	>80	150-270V	270X100
2X10W	Wall 2-way	3000K	1000	SR20W3K2W	>80	150-270V	270X100
2X20W	Wall 2-way	3000K	4000	SR40W3K2W	>80	150-270V	270X100

Note: Beam angle for the above products is 40° by default. For ordering codes of other beam angles, please connect with an Orient representative.

*Kindly refer to page number- 112-113 for complete ordering accessories.

Dimensions(ØXH)mm	212X100(Spot/Spike)	205X100(Wall 1-way)	270X100(Wall 2-way)
Finish	Graphite grey	Graphite grey	Graphite grey
Weight	1.1Kgs	1.2Kgs	2Kgs



QUADRO LV

Compact and effective light

QUADRO LV offers a variety of low voltage outdoor spot light solutions. It offers compact and effective lighting solutions for creating the lighting effects such as silhouetting, shadowing, grazing, moonlighting and flood lighting. The fixtures are interconnected in a daisy chain and can be controlled on DMX by remote device management.



Features

- Wide range of CCT output 2700k, 3000k, 4000k, 5700k, RGBW.
- Powered with a remote driver for ease of maintenance at the source.
- High-quality die-cast aluminium construction.
- Powerful flood light with super consistent light and colour mixing of 16.7 million RGB plus W colours.
- Range of beam angles for various applications.
- LED lifetime > 70,000 hrs.

Accessories

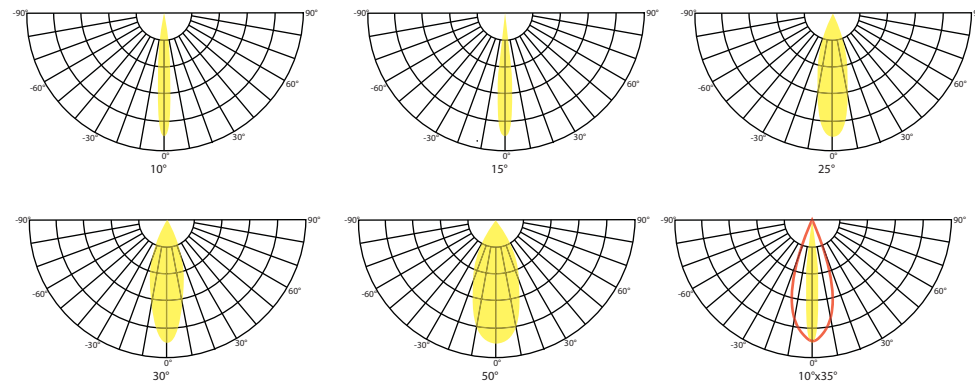


Ground spike

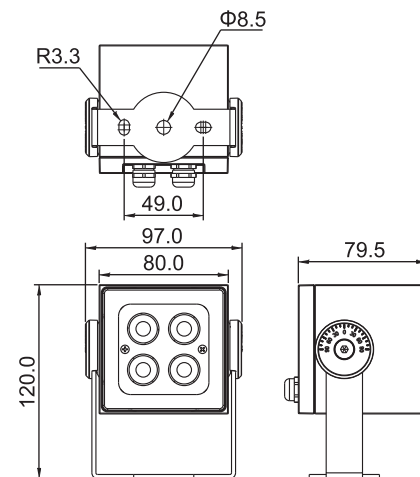


Visor

Polar Curve



Product Dimension



General Information

Power Consumption	5W, 10W
Beam Angle	10°, 15°, 25°, 30°, 50°, 10X35°
Input Voltage	DC 24V
LED Lifetime	>70,000hrs
Working Ambient Temperature	-35° to 50° C
Housing Material	Die-cast aluminium
Lens	UV protected clear lens
Mechanical Impact (Glass/Body)	IK08
Certification	BIS, CE
Environment	Dry/Damp/Wet location, IP66

Specifications & Ordering Information

Power(W)	CCT	Lumen	Ordering Code	CRI	Input Voltage	Dimensions(LXWXH) mm
5	4000K	388	QLV5W4K25D	>80	DC 24V	97X79.5X120
10	4000K	650	QLV10W4K25D	>80	DC 24V	97X79.5X120
5	RGBW	248	QLV5WRGBW25D	>80 (on white only)	DC 24V	97X79.5X120
10	RGBW	420	QLV10WRGBW25D	>80 (on white only)	DC 24V	97X79.5X120

Note: Beam angle for the above products is 25° by default. For ordering codes of other beam angles, please connect with an Orient representative.

*Power supply to be ordered separately. Kindly refer to page number- 112-113 for complete ordering accessories.

Dimensions(LXWXH)mm	97X79.5X120
Finish	Grey
Weight	1Kg



QUADRO M

Compact and effective light

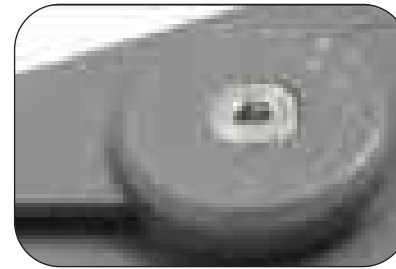
QUADRO M offers a variety of outdoor spot light solutions. It offers compact and effective lighting solutions for creating lighting effects such as silhouetting, shadowing, grazing, moonlighting and flood lighting effects. The fixtures are interconnected in a daisy chain and can be controlled on DMX by remote device management. Anti-glare visor accessories can be fixed on the luminaire to ensure glare-free execution.



Features

- Wide range of CCT output 2700k, 3000k, 4000k, 5700k, RGBW.
- Powered with built-in driver.
- High-quality die-cast aluminium construction.
- Powerful flood light with super consistent light and colour mixing of 16.7 million RGB plus W colours.
- Range of beam angles for various applications.
- LED lifetime > 70,000 hrs.

Accessories

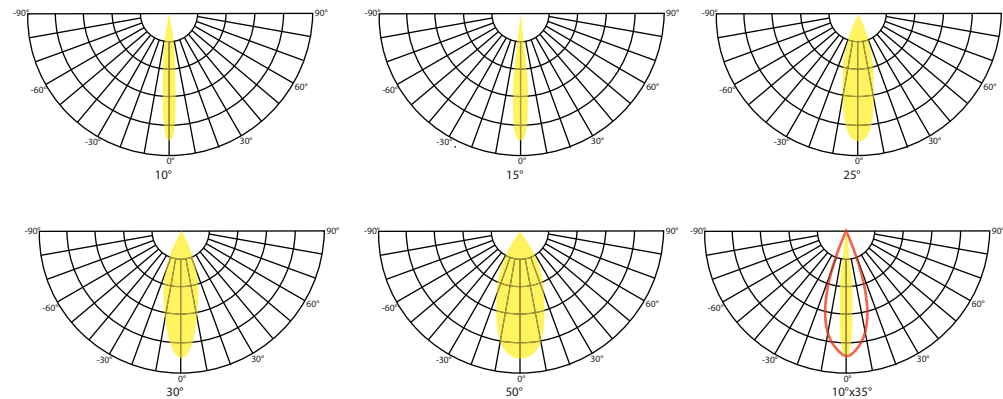


Adjustable Angle

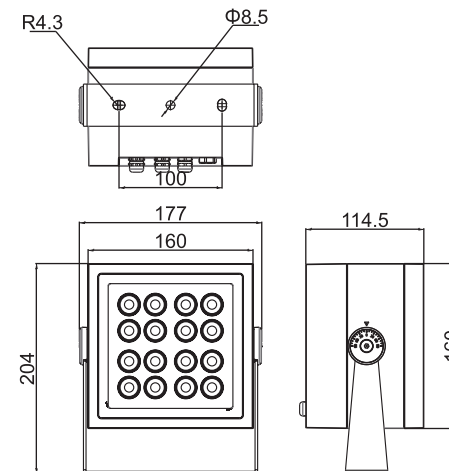


Visor

Polar Curve



Product Dimension



General Information

Number of LED	16
Power Consumption	18-20W, 27-30W, 36-40W, 56W
Beam Angle	10°, 15°, 25°, 30°, 50°, 10X35°
Input Voltage	AC 100-277V
LED Lifetime	>70,000hrs
Working Ambient Temperature	-35° to 50° C
Housing Material	Die-cast aluminium
Lens	UV protected clear lens
Mechanical Impact (Glass/Body)	IK08
Certification	BIS, CE
Environment	Dry/Damp/Wet location, IP66

Specifications & Ordering Information

Power(W)	CCT	Lumen	Ordering Code	CRI	Input Voltage	Dimensions(LXWXH)mm
18	4000K	1600	QM18W4K25D	>80	AC 100-277V	177X114.5X160
27	4000K	2240	QM27W4K25D	>80	AC 100-277V	177X114.5X160
38	4000K	2828	QM38W4K25D	>80	AC 100-277V	177X114.5X160
56	4000K	3895	QM56W4K25D	>80	AC 100-277V	177X114.5X160
20	RGBW	950	QM20WRGBW25D	>80 (on white only)	AC 100-277V	177X114.5X160
30	RGBW	1312	QM30WRGBW25D	>80 (on white only)	AC 100-277V	177X114.5X160
40	RGBW	1610	QM40WRGBW25D	>80 (on white only)	AC 100-277V	177X114.5X160

Note: Beam angle for the above products is 25° by default. For ordering codes of other beam angles, please connect with an Orient representative.
*Kindly refer to page number- 112-113 for complete ordering accessories.

Dimensions(LXWXH)mm	177X114.5X160
Finish	Grey
Weight	2.9Kg



QUADRO L

Compact and effective light

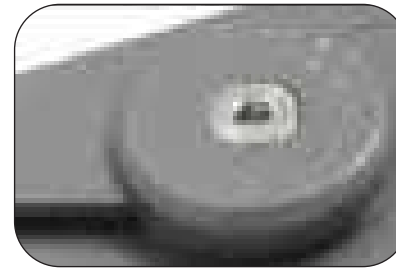
QUADRO L offers a variety of outdoor spot light solutions. It offers compact and effective lighting solutions for creating lighting effects such as silhouetting, shadowing, grazing, moonlighting and flood lighting. The fixtures are interconnected in a daisy chain and can be controlled on DMX by remote device management. Anti-glare visor accessories can be fixed on the luminaire to ensure glare-free execution.



Features

- Wide range of CCT output 2700k, 3000k, 4000k, 5700k, RGBW.
- Powered with built-in driver.
- High-quality die-cast aluminium construction.
- Powerful flood light with super consistent light and colour mixing of 16.7 million RGB plus W colours.
- Range of beam angles for various applications.
- LED lifetime > 70,000 hrs.

Accessories

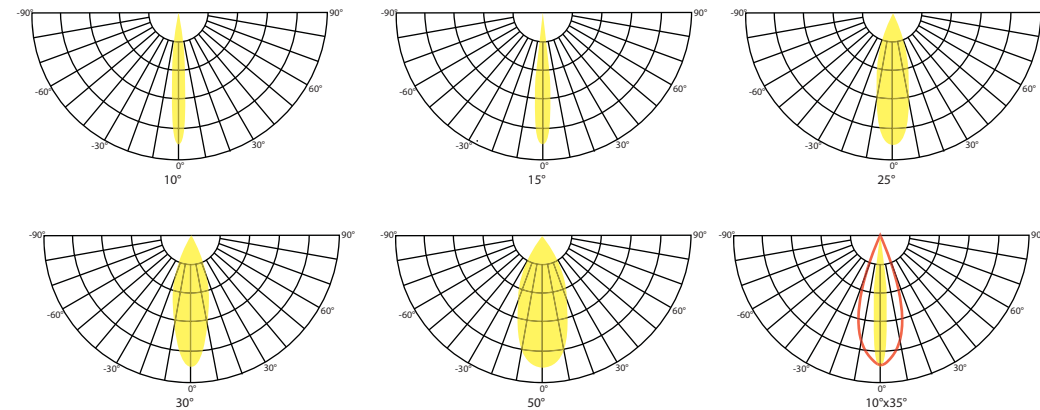


Adjustable Angle

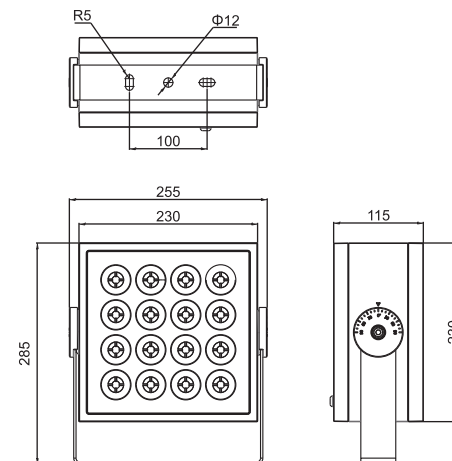


Visor

Polar Curve



Product Dimension



General Information

Power Consumption	60-65W, 80-85W, 120W
Beam Angle	10°, 15°, 25°, 30°, 50°, 10X35°
Input Voltage	AC 100-277V
LED Lifetime	>70,000hrs
Working Ambient Temperature	-35° to 50° C
Housing Material	Die-cast aluminium
Lens	UV protected clear lens
Mechanical Impact (Glass/Body)	IK08
Certification	BIS, CE
Environment	Dry/Damp/Wet location, IP66

Specifications & Ordering Information

Power(W)	CCT	Lumen	Ordering Code	CRI	Input Voltage	Dimensions(LXWXH)mm
60	4000K	5040	QL60W4K25D	>80	AC 100-277V	255X115X230
80	4000K	6363	QL80W4K25D	>80	AC 100-277V	255X115X230
120	4000K	8763	QL120W4K25D	>80	AC 100-277V	255X115X230
65	RGBW	2952	QL65WRGBW25D	>80 (on white only)	AC 100-277V	255X115X230
85	RGBW	3622	QL85WRGBW25D	>80 (on white only)	AC 100-277V	255X115X230

Note: Beam angle for the above products is 25° by default, for the ordering codes of other beam angles, please connect with an Orient representative.
*Kindly refer to page number- 112-113 for complete ordering accessories.

Dimensions(LXWXH)mm	255X115X230
Finish	Grey
Weight	5.8Kgs



UPLIGHTERS



LINCOR

Inground linear lighting solutions

LINCOR comes with a solution for the recess applications. Powered directly with AC line voltage and high-precision asymmetric beam, it amalgamates with the surroundings to give flawless effects.





ARCANE Midi

Inground lighting applications

ARCANE Midi is a mid-size inground range of luminaires for small height structures. It has been designed for uplighting in public spaces, incorporating high-quality light output, multi- colour LED system that is controlled by DMX to produce any colour in visible spectrum, including pastels and various shades of white. The luminaire is extremely tough, durable and waterproof.

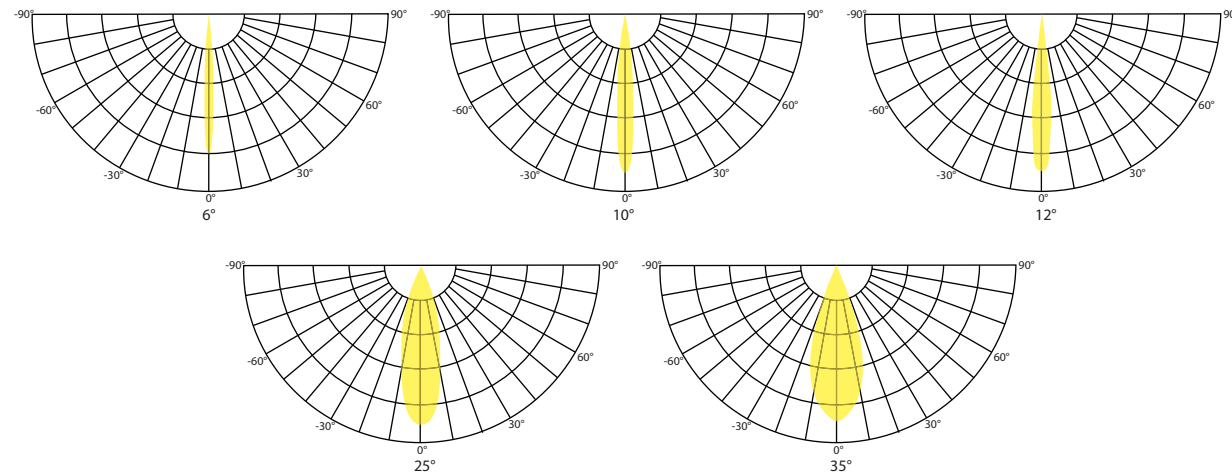


Features

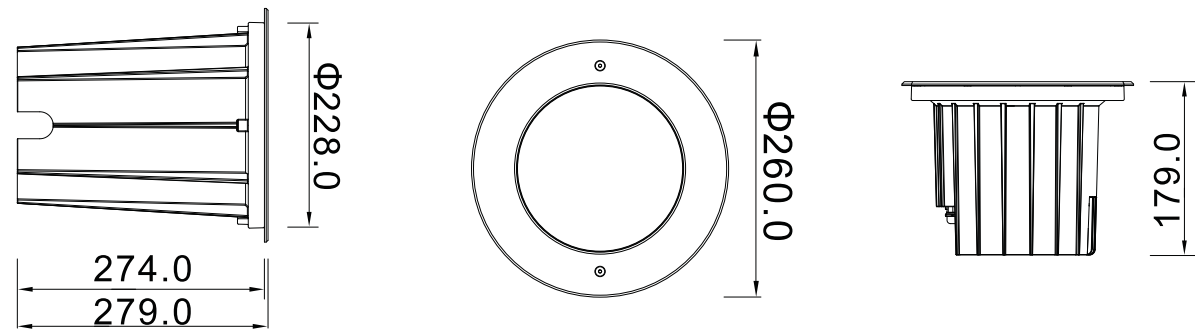
- LED ground-recessed luminaire spotlight made of die cast aluminium for accent lighting and walkways.
- With a round fitted stainless steel cover ring. Cover of 15 mm thick, clear hardened glass. Can be rolled over to 2500 kg. Ground recessing bowl of weather-resistant PVC tube.
- Integrated with the best-in-class LED driver to work directly on AC100-277V.
- Available in variety of beam angles 6°, 10°, 12°, 25°, 35° for various applications.
- Applications: Pedestrian zones, arcades, passages, paths in parks and green areas, residential facilities, stairs, access areas, car parks, light around the house, accent lighting.

Note: For ground recessing. On-site, a foundation suitable for the load with adequate drainage must be ensured.

Polar Curve



Product Dimension



General Information

Number of LED	9	12
Power Consumption	22-24W	28-30W
Beam Angle	6°, 10°, 12°, 25°, 35°	
Input Voltage	AC 100-277V	
LED Lifetime	>70,000hrs	
Working Ambient Temperature	-35° to 50° C	
Housing Material	Die-cast aluminium	
Lens	UV protected clear lens	
Mechanical Impact (Glass/Body)	IK08	
Certification	BIS, CE	
Environment	Dry/Damp/Wet location, IP67	

Specifications & Ordering Information

Power(W)	CCT	Lumen	Ordering Code	CRI	Input Voltage	Dimensions(ØXH)mm
22	4000K	1180	ANMD22W4K25DR	>80	AC 100-277V	260X279
28	4000K	1573	ANMD28W4K25DR	>80	AC 100-277V	260X279
24	RGB	531	ANMD24WRGB25DR	-	AC 100-277V	260X279
30	RGB	708	ANMD30WRGB25DR	-	AC 100-277V	260X279

Note: Beam angle for the above products is 25° by default. For ordering codes of other beam angles, please connect with an Orient representative.

*Kindly refer to page number- 112-113 for complete ordering accessories.

Dimensions(ØXH)mm	260X279	260X279
Finish	Grey	Grey
Weight	3.8Kg	3.8Kg



ARCANE Maxi

Inground lighting applications

ARCANE is an inground range of luminaires that have been designed for uplighting in public spaces, incorporating high-quality light output, multi-colour LED system that is controlled by DMX to produce any colour in visible spectrum, including pastels and various shades of white. The luminaire is extremely tough, durable and waterproof.

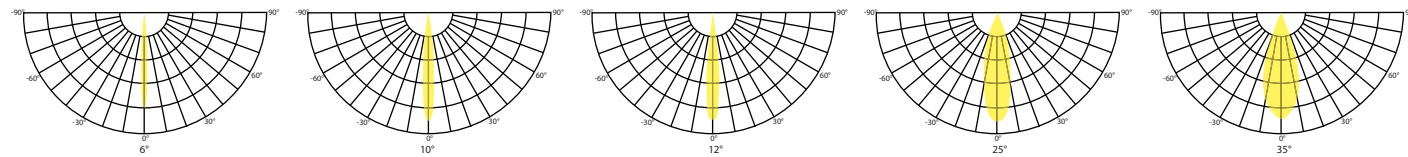


Features

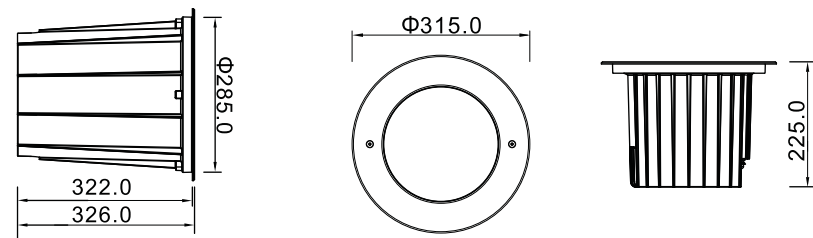
- LED ground-recessed luminaire spotlight made of die-cast aluminium for accent lighting and walkways.
- With a round fitted stainless steel cover ring. Cover of 15 mm thick, clear hardened glass. Can be rolled over to 2500 kg. Ground recessing bowl of weather-resistant PVC tube.
- Integrated with the best-in-class LED driver to work directly on AC100-277V.
- Available in variety of beam angles 6°, 10°, 12°, 25°, 35° for various applications.
- Applications: Pedestrian zones, arcades, passages, paths in parks and green areas, residential facilities, stairs, access areas, car parks, light around the house, accent lighting.

Note: For ground recessing. On-site, a foundation suitable for the load with adequate drainage must be ensured.

Polar Curve

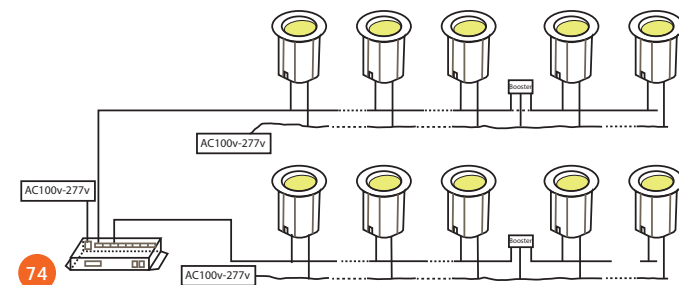


Product Dimension

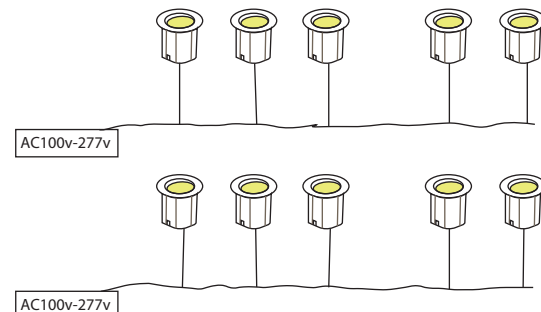


Wire Diagram OF ARCANE

WIRING DIAGRAM OF ARCANE RGB



WIRING DIAGRAM OF ARCANE MONO



General Information

Number of LED	18	24
Power Consumption	40W	42-45W
Beam Angle	6°, 10°, 12°, 25°, 35°	
Input Voltage	AC 100-277V	
LED Lifetime	>70,000hrs	
Working Ambient Temperature	-35° to 50° C	
Housing Material	Die-cast aluminium	
Lens	UV protected clear lens	
Mechanical Impact (Glass/Body)	IK08	
Certification	BIS, CE	
Environment	Dry/Damp/Wet location, IP67	

Specifications & Ordering Information

Power(W)	CCT	Lumen	Ordering Code	CRI	Input Voltage	Dimensions(ØXH)mm
40	4000K	2360	ANMX40W4K25DR	>80	AC 100-277V	315X326
45	4000K	3147	ANMX45W4K25DR	>80	AC 100-277V	315X326
40	RGB	1062	ANMX40WRGB25DR	-	AC 100-277V	315X326
42	RGB	1417	ANMX42WRGB25DR	-	AC 100-277V	315X326

Note: Beam angle for the above products is 25° by default. For ordering codes of other beam angles, please connect with an Orient representative.

*Kindly refer to page number- 112-113 for complete ordering accessories.

Dimensions(ØXH)mm	315X326	315X326
Finish	Grey	Grey
Weight	7.0Kgs	7.0Kgs



CYLINDRA S

Ground lighting applications

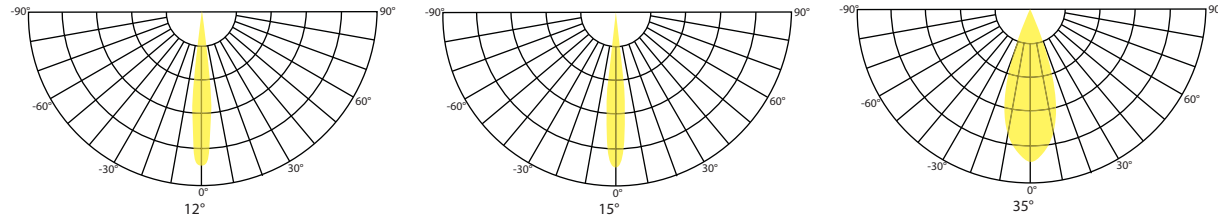
CYLINDRA S is a versatile solution for tree uplighting or general uplighting applications. The surface-mounted application makes it suited to any kind of application with the best-in-class performance.



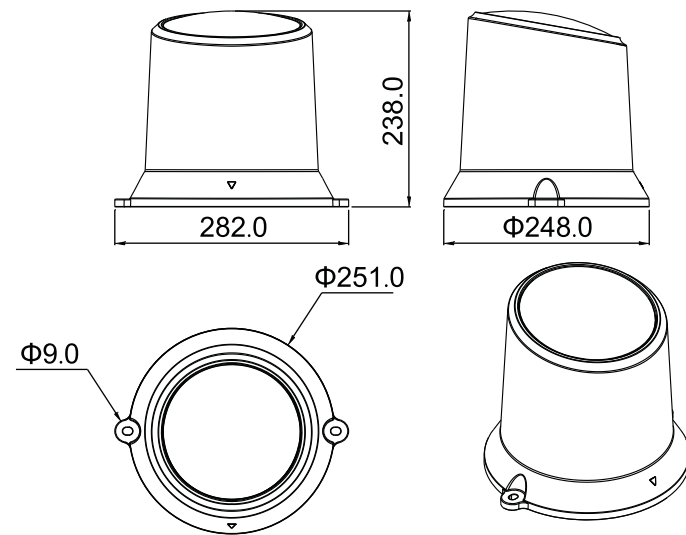
Features

- Housing made of high-pressure die-cast aluminium alloy.
- Silicon rubber sealing ring design, anti-ageing capability.
- IP67 protected.
- The arc glass made by a special forming process which has 95% transmittance and high-impact strength.
- Fixture can be auto addressable by DMX512.
- Ideal for lighting trees, buildings facades, columns and many more applications.

Polar Curve



Product Dimension



General Information

Number of LED	18
Power Consumption	30-32W, 40W
Beam Angle	12°, 25°, 35°
Input Voltage	AC 100-277V
LED Lifetime	>70,000hrs
Working Ambient Temperature	-35° to 50° C
Housing Material	Die-cast aluminium
Lens	UV protected clear lens
Mechanical Impact (Glass/Body)	IK08
Certification	BIS, CE
Environment	Dry/Damp/Wet location, IP67

Specifications & Ordering Information

Power(W)	CCT	Lumen	Ordering Code	CRI	Input Voltage	Dimensions(ØXH)mm
32	4000K	2911	CYS32W4K25D	>80	AC 100-277V	282X238
40	4000K	3572	CYS40W4K25D	>80	AC 100-277V	282X238
30	RGB	995	CYS30WRGB25D	-	AC 100-277V	282X238
40	RGB	765	CYS40WRGB25D	-	AC 100-277V	282X238

Note: Beam angle for the above products is 25° by default. For ordering codes of other beam angles, please connect with an Orient representative.

*Kindly refer to page number- 112-113 for complete ordering accessories.

Dimensions(ØXH)mm	282X238
Finish	Grey
Weight	4.3kg



CYLINDRA L

Ground lighting applications

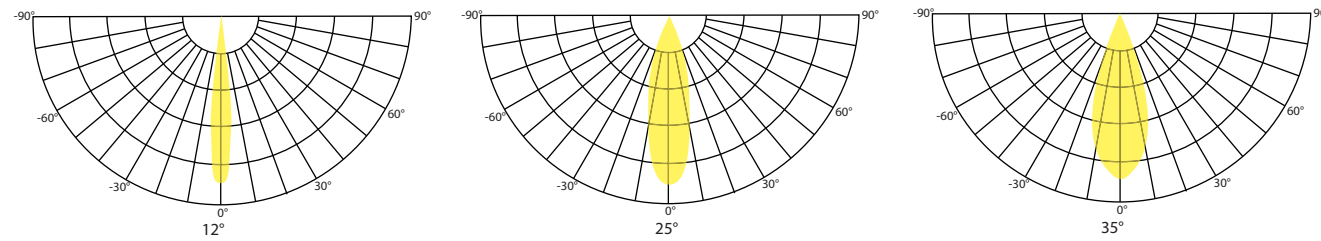
CYLINDRA L is a versatile solution for tree uplighting or general uplighting applications. The surface-mounted structure makes it suited to any kind of application with best-in-class performance.



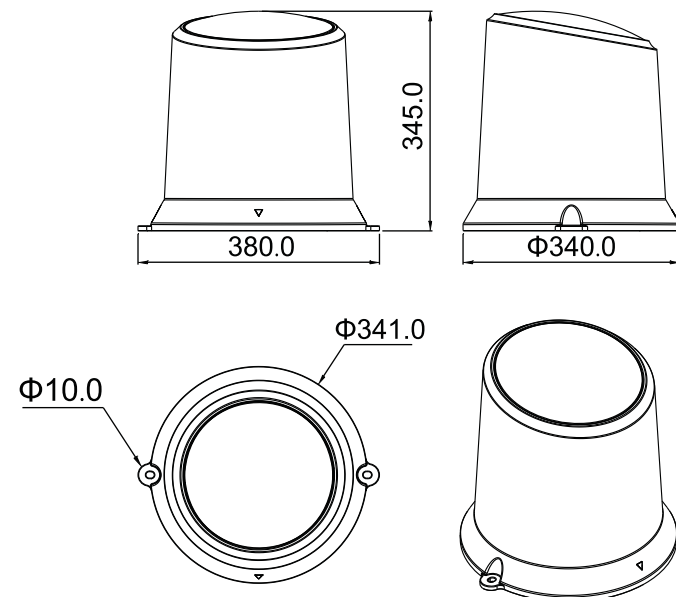
Features

- Housing made of high-pressure die-cast aluminium alloy.
- Silicon rubber sealing ring design, anti-ageing capability.
- IP67 protected.
- The arc glass made by special forming process which has 95% transmittance and high-impact strength.
- Fixture is auto addressable by DMX512.
- Ideal for lighting trees, buildings facades, columns and many more applications.

Polar Curve



Product Dimension



General Information

LED Channel	36
Power Consumption	60W, 90W
Beam Angle	12°, 25°, 35°
Input Voltage	AC 100-277V
LED Lifetime	>70,000hrs
Working Ambient Temperature	-35° to 50° C
Housing Material	Die-cast aluminium
Lens	UV protected clear lens
Mechanical Impact (Glass/Body)	IK08
Certification	BIS, CE
Environment	Dry/Damp/Wet location, IP67

Specifications & Ordering Information

Power(W)	CCT	Lumen	Ordering Code	CRI	Input Voltage	Dimensions(ØXH)mm
60	4000K	5282	CYL60W4K25D	>80	AC 100-277V	390X345
90	4000K	7397	CYL90W4K25D	>80	AC 100-277V	390X345
60	RGB	2589	CYL60WRGB25D	-	AC 100-277V	390X345
90	RGB	3127	CYL90WRGB25D	-	AC 100-277V	390X345

Note: Beam angle for the above products is 25° by default, for the ordering codes of other beam angles, please connect with an Orient representative.

*Kindly refer to page number- 112-113 for complete ordering accessories.

Dimensions(ØXH)mm	390X345
Finish	Grey
Weight	8.9Kg



CYLINDRA SR

Ground lighting applications

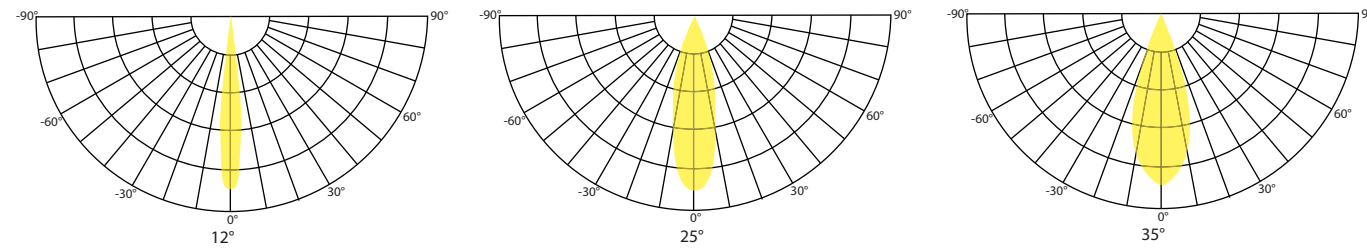
CYLINDRA SR is a semi-recessed luminaire specially meant for tree/garden lighting. The unique design protrudes the lamp unit and at the same time keeps it embedded into the floor. This helps to achieve the desired lighting effect without compromising the aesthetics of the luminaire.



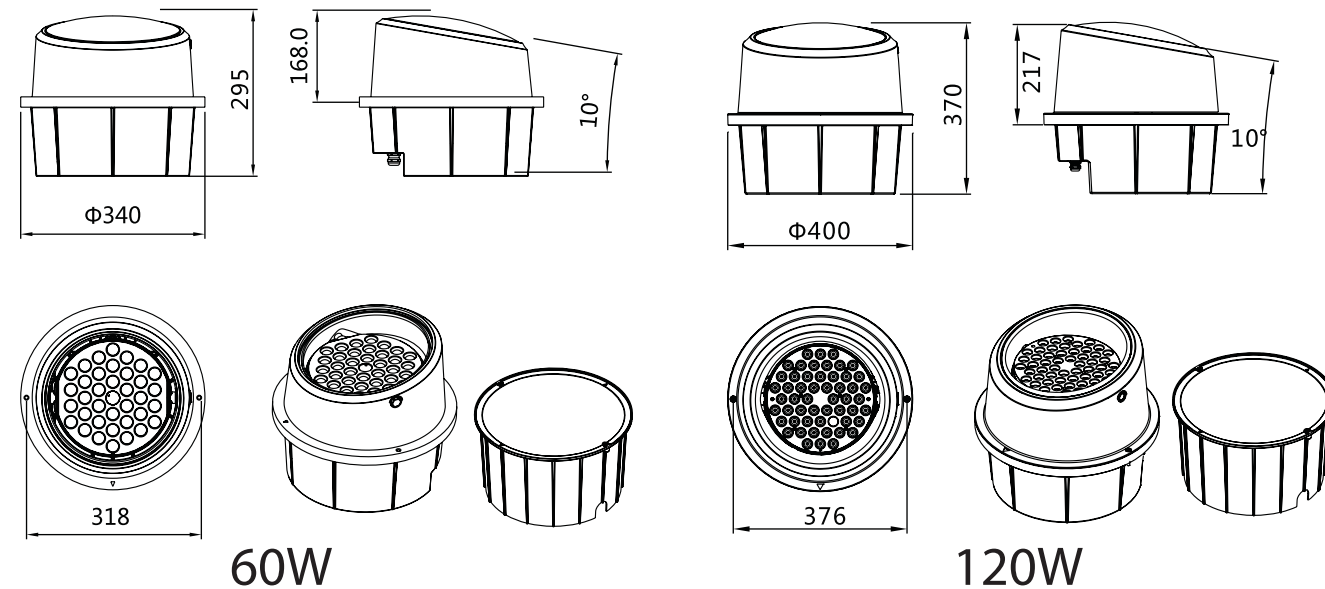
Features

- Housing made of high-pressure die-cast aluminium alloy.
- Surface electrostatic spraying treatment gives anti-ageing ability.
- Double-deck glass design makes it more secure and reliable.
- Integrated appearance and inclined plane glass design make the surface 'Self-cleaning'.
- IP67 protection.
- Ideal for tree lighting.

Polar Curve



Product Dimension



60W

120W

General Information

Number of LED	36	54
Power Consumption	60W	120W
Beam Angle	12°, 25°, 35°	
Input Voltage	AC 100-277V	
LED Lifetime	>70,000hrs	
Working Ambient Temperature	-35° to 50° C	
Housing Material	Die-cast aluminium	
Lens	UV protected clear lens	
Mechanical Impact (Glass/Body)	IK08	
Certification	BIS, CE	
Environment	Dry/Damp/Wet location, IP67	

Specifications & Ordering Information

Power(W)	CCT	Lumen	Ordering Code	CRI	Input Voltage	Dimensions(ØXH)mm
60	4000K	5282	CYSR60W4K25D	>80	AC 100-277V	340X295
120	4000K	6390	CYSR120W4K25D	>80	AC 100-277V	400X370
60	RGB	2589	CYSR60WRGB25D	-	AC 100-277V	340X295
120	RGB	3060	CYSR120WRGB25D	-	AC 100-277V	400X370

Note: Beam Angle for the above products is 25° by default. for the ordering codes of other beam angles, please connect with an Orient representative.

*Kindly refer to page number- 112-113 for complete ordering accessories.

Dimensions(ØXH)mm	340X295	400X370
Finish	Grey	Grey
Weight	8.9Kg	13Kg



UNDERWATER



AQUA F

Underwater solution
for fountains

AQUA F is an exquisite range of fountain light to create amazing lighting effects during the night to make the surroundings beautiful.

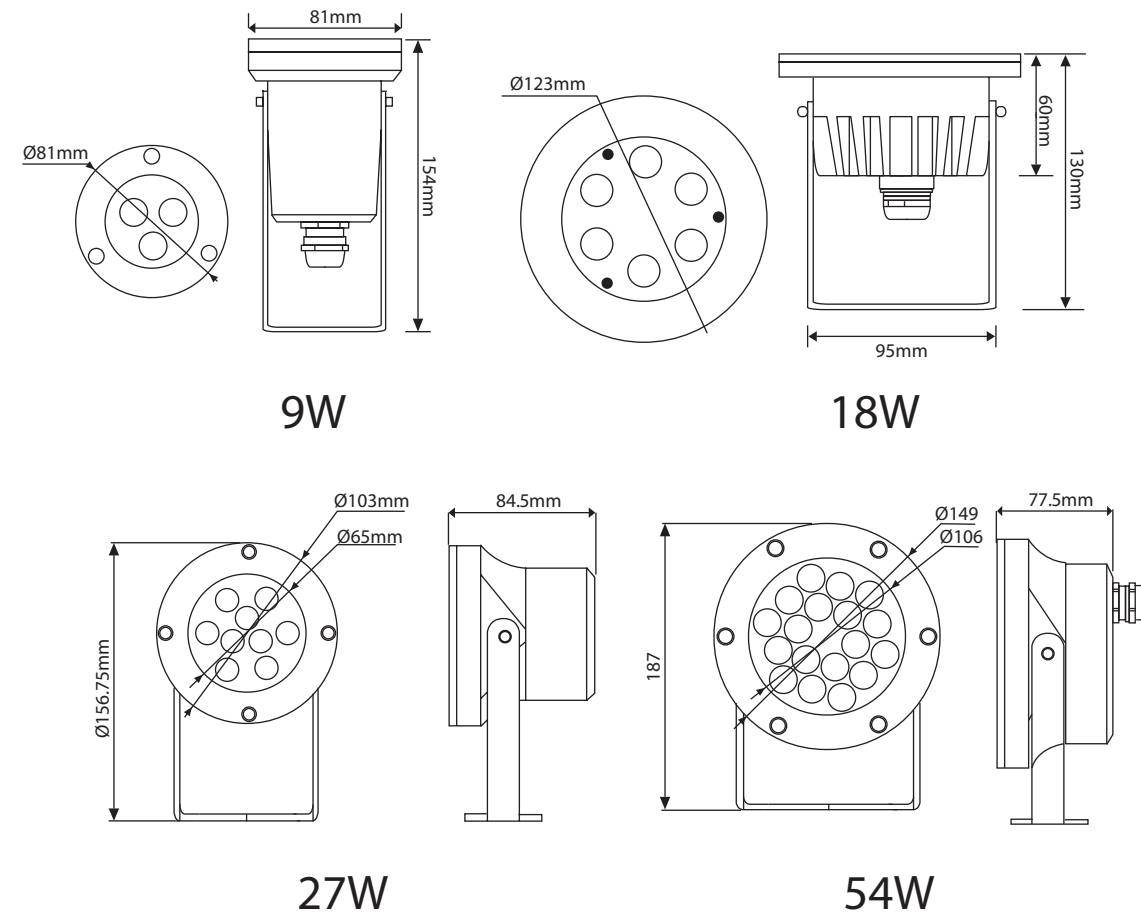


Features

- High-quality anti-corrosion material made from stainless steel.
- Overheating protection with auto cut-off.
- Works on low voltage which is powered with remote power supply.
- 180° adjustable.
- IP68 protection with waterproof cable glands.
- Load-bearing tampered glass of 8mm.
- Suitable for fountain light applications.

Note: This fixture must be installed underwater at a maximum depth of 1 meter and cannot be operated out of water for over 15 minutes.

Product Dimension



General Information

Number of LED	3	6	9
Power Consumption	9W	18W	27W
Beam Angle	10°, 30°, 45°, 60°, 90°		
Input Voltage	DC 24V		
LED Lifetime	>70,000hrs		
Working Ambient Temperature	-35° to 50° C		
Housing Material	316 stainless steel		
Lens	UV protected clear lens		
Mechanical Impact (Glass/Body)	IK08		
Certification	BIS, CE		
Environment	Dry/Damp/Wet location, IP68		

Specifications & Ordering Information

Power(W)	CCT	Ordering Code	CRI	Input Voltage	Dimensions(ØXH)mm
9	4000K	AQF9W4K30D	>80	DC 24V	81X154
18	4000K	AQF18W4K30D	>80	DC 24V	123X130
27	4000K	AQF27W4K30D	>80	DC 24V	103X156
54	4000K	AQF54W4K30D	>80	DC 24V	149X187
9	RGB	AQF9WRGB30D	-	DC 24V	81X154
18	RGB	AQF18WRGB30D	-	DC 24V	123X130
27	RGB	AQF27WRGB30D	-	DC 24V	103X156
54	RGB	AQF54WRGB30D	-	DC 24V	149X187

Note: Beam Angle for the above products is 30° by default, for the ordering codes of other beam angles, please connect with an Orient representative.

*Power supply to be ordered separately. Kindly refer to page number- 112-113 for complete ordering accessories.

Dimensions(ØXH)mm	81X154	123X130	103X156	149X187
Finish	SS	SS	SS	SS
Weight	2.3kgs	2.3kgs	3.0kgs	4.8kgs



AQUA N

Underwater solution
for fountains

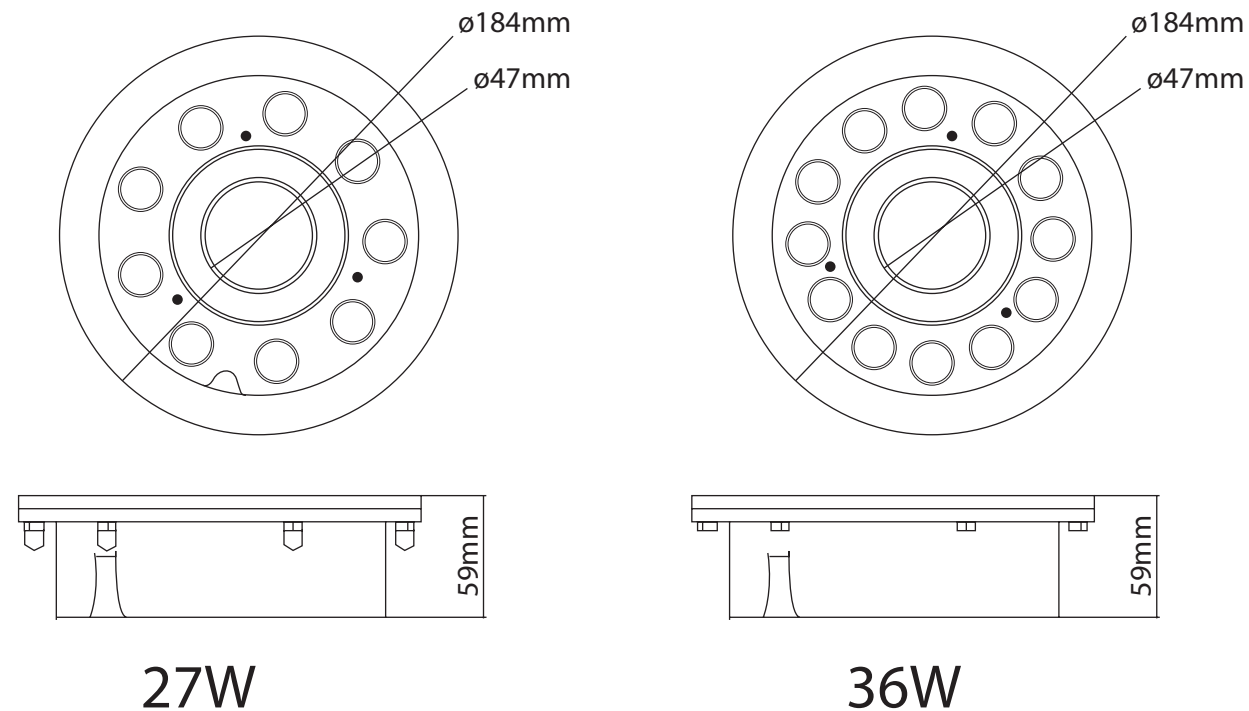
AQUA N is an exquisite range of fountain light to create amazing lighting effects during the night to make the surroundings beautiful. AQUA N with a water exit hole in the center enables the light to creates a 360° illumination of the water pole.



Features

- High-quality anti-corrosion material made from stainless steel.
- Overheating protection with auto cut-off.
- Works on low voltage which is powered with remote power supply.
- 180° adjustable.
- IP68 protection with waterproof cable glands.
- Suitable for fountain light applications.

Product Dimension



General Information

Number of LED	9	12
Power Consumption	27W	36W
Beam Angle	10°, 30°, 45°, 60°, 90°	
Input Voltage	DC 24V	
LED Lifetime	>70,000hrs	
Working Ambient Temperature	-35° to 50° C	
Housing Material	316 stainless steel	
Lens	UV protected clear lens	
Mechanical Impact (Glass/Body)	IK08	
Certification	BIS, CE	
Environment	Dry/Damp/Wet location, IP68	

Specifications & Ordering Information

Power(W)	CCT	Ordering Code	CRI	Input Voltage	Dimensions(ØXH)mm
27	4000K	AQN27W4K30D	>80	DC 24V	184X59
36	4000K	AQN36W4K30D	>80	DC 24V	184X59
27	RGB	AQN27WRGB30D	-	DC 24V	184X59
36	RGB	AQN36WRGB30D	-	DC 24V	184X59

Note: Beam angle for the above products is 30° by default, for the ordering codes of other beam angles, please connect with Orient representative.

*Power supply to be ordered separately. Kindly refer to page number- 112-113 for complete ordering accessories.

Dimensions(ØXH)mm	184X59	184X59
Finish	SS	SS
Weight	5.5Kgs	5.5Kgs



AQUA S

Underwater solution for
water bodies

AQUA S is a distinctive range of swimming pool lights to illuminate swimming pool. High-output light mounted on the walls of the pool gives an excellent lighting effect.

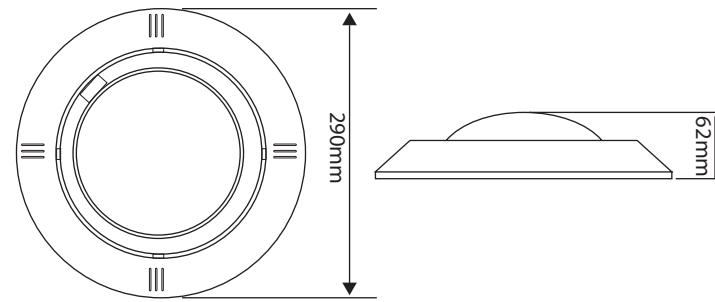
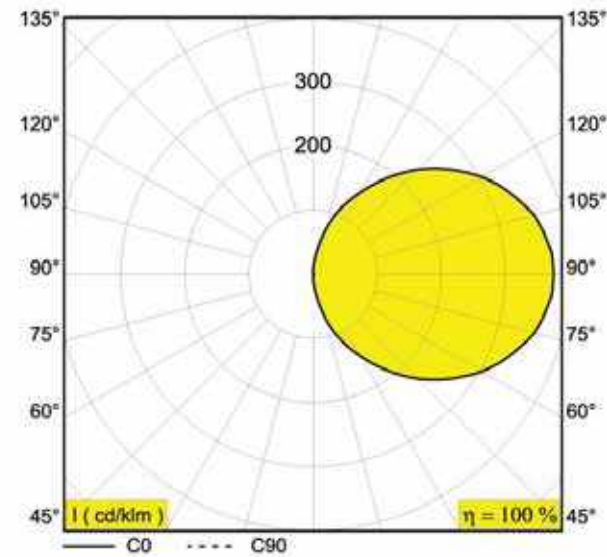


Features

- High-quality ABS+PC cover and stainless steel+ PC cover.
- Overheating protection with auto cut-off.
- Works on low voltage which is powered with remote power supply.
- IP68 protection with waterproof cable glands.
- Suitable for swimming pools or static applications.

Note: This fixture must be installed underwater at a maximum depth of 1 meter and cannot be operated out of water for over 15 minutes

Product Dimension



General Information

Number of LED	75Nos	
Power Consumption	15W	
Beam Angle	120°	
Input Voltage	DC 24V	
LED Lifetime	>70,000hrs	
Working Ambient Temperature	-35° to 50° C	
Housing Material	ABS	stainless steel
Diffuser	Polycarbonate	
Mechanical Impact (Glass/Body)	IK06	
Certification	BIS, CE	
Environment	Dry/Damp/Wet location, IP68	

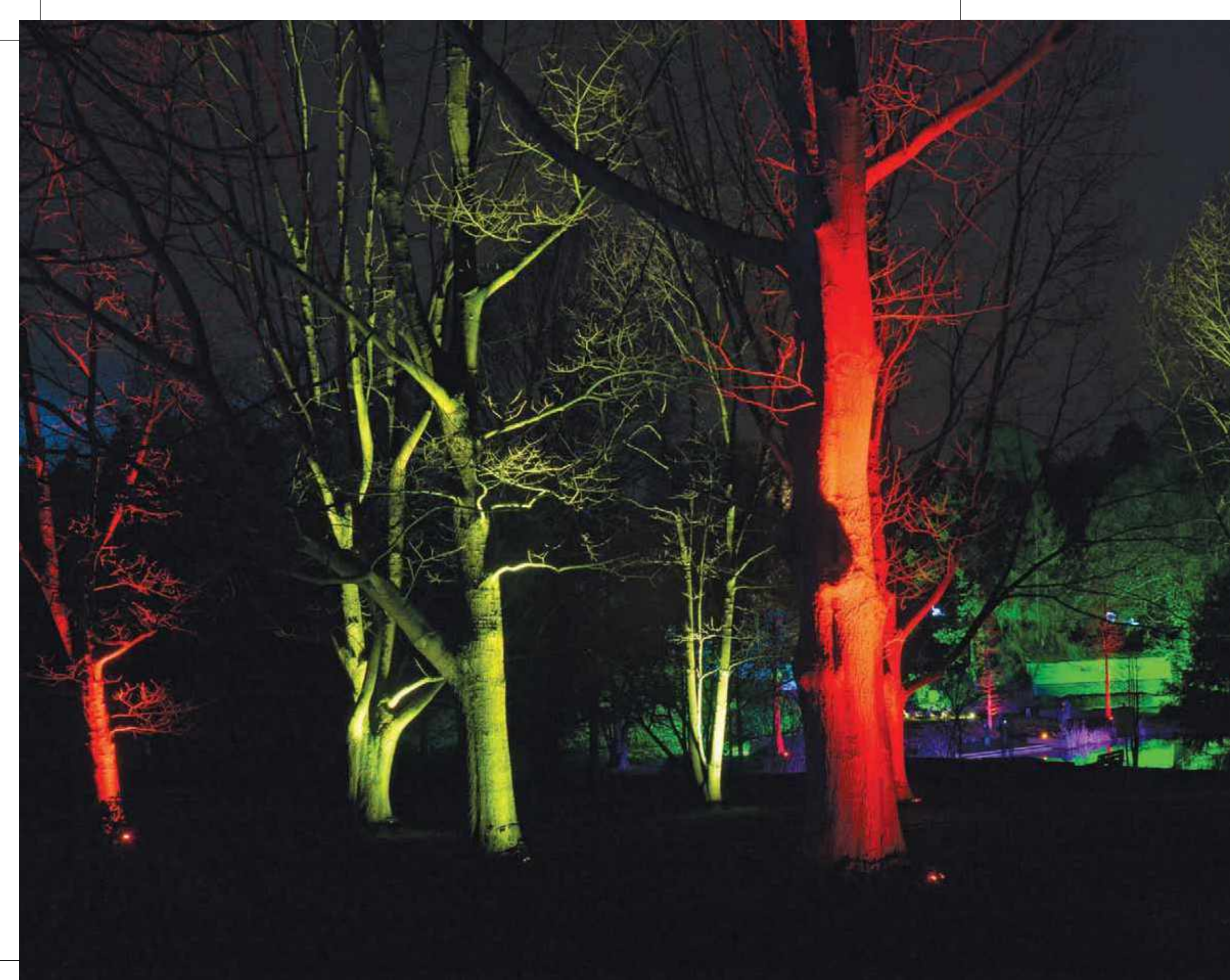
Specifications & Ordering Information

Power(W)	CCT	Ordering Code	CRI	Input Voltage	Finish	Dimensions(ØXH)mm
15	4000K	AQS15W4KABS	>80	DC 24V	ABS	290X52
15	4000K	AQS15W4KSS	>80	DC 24V	SS	290X52
15	RGB	AQS15WRGBABS	-	DC 24V	ABS	290X52
15	RGB	AQS15WRGBSS	-	DC 24V	SS	290X52

Note: Beam angle for the above products is 30° by default. For the ordering codes of other beam angles, please connect with an Orient representative.

*Power supply to be ordered separately. Kindly refer to page number- 112-113 for complete ordering accessories.

Dimensions(ØXH)mm	290X52
Finish	Powder coated White
Weight	1.5kgs



CONTROLLER AND ACCESSORIES



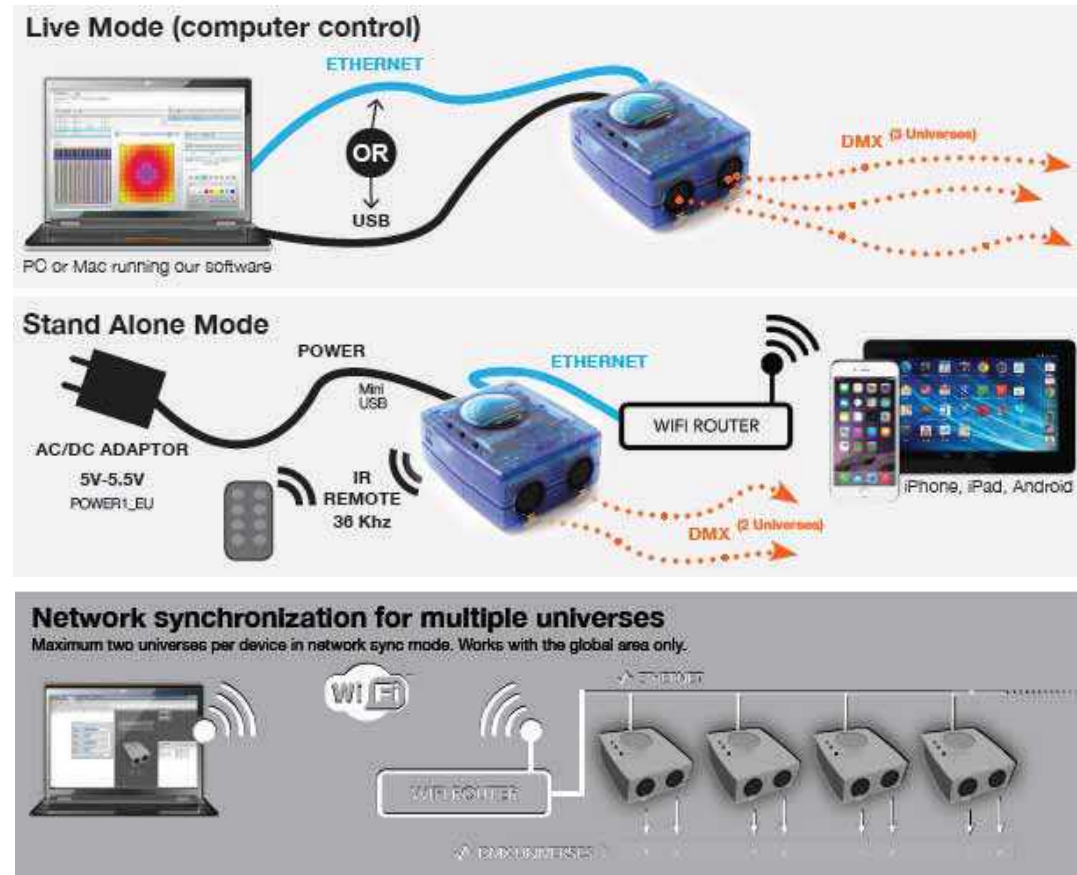
AURIO DMX CONTROLLER

AURIO standalone DMX controller can be used to control a wide variety of different DMX systems—from RGB/RGBW to more advanced moving and colour mixing luminaires, DMX audio players and fountains. The controller comes with a variety of features including 1024 DMX channels, clock/calendar, iPhone/iPad/Android remote control, Ethernet facilities, dry contact port triggering and multi-zone SD card memory. The lighting levels, colours and effects can be programmed from a PC, Mac, Android, iPad or iPhone using the included software.

Features

- 3 DMX512 universes in live mode (computer).
- 2 DMX512 universes in standalone mode.
- 250 scenes across 5 areas.
- Network synchronisation of one area across hundreds of universes.
- Multi-zone microSD memory.
- USB & Ethernet connectivity for programming/control.
- 8 dry contact trigger ports via HE10 connector.
- Clock and calendar with Sunrise/Sunset triggering.
- Network communication. Control lighting remotely.
- Windows/Mac software to set dynamic colours/effects.
- iPhone/iPad/Android remote and programming apps.

Specifications & Ordering Information



Item Code DMXCT1024U7

Input Power 5-5.5V DC 0.6A

Output Protocol DMX512 (x2)

Programmability PC, Mac, Tablet, Smartphone

Connections Mini USB, XLR3, XLR5, Ethernet,
2x HE10, battery

Memory microSD card, 4GB Max

Environment IP20. 0°C - 50°C

Buttons 2 buttons to change scene
+ 1 button to change area

Dimensions

Complete Package

79x92x43mm 120g

140x135x50mm 340g

OS Requirements Mac OS X

10.8-10.12 Windows 7/8/10

Standards EC, EMC, ROHS

AURIO DMX CONTROLLER

- A feature rich lighting controller is designed to provide a controlled solution for the most demanding projects, while maintaining an easy-to-use panel to touch sensitive buttons. The controller integrates a graphical color screen allowing scene photos to be displayed. Easily view the selected zone, scene, name and design without the need of navigating through complex menus. Change the speed, color and dimmer using the circular palette.
- The lighting levels, color and effects can be programmed from a PC, Mac, Android, iPad or iPhone using the included software.



Features

- Sleek glass design which sits 11mm from the wall.
- Graphical color display to show selected environment.
- Color/dimmer/speed palette.
- Color temperature mixing.
- Touch sensitive buttons. No mechanical parts.
- Touch sensitive wheel allows for accurate color selection.
- Multi-zone microSD memory.
- Multi-room control with 500 scenes, 10 zones.
- 1024 DMX channels. Control 340 RGB fixtures.
- USB & Ethernet connectivity for programming and control.
- RS232, Dry Contact Ports and an Infra Red input port.
- Clock and calendar with Sunrise/Sunset triggering.
- Network communication. Control lighting remotely.
- Catalog of designs including black and white glass.
- Windows/Mac software to set dynamic colors/effects.
- iPhone/iPad/Android remote and programming apps.

Technical Specifications

Item Code	DMXCT1024DE3
Input Power	6-7V DC, 0.6A
Output Protocol	DMX512(x2)
Programmability	PC, Mac, Tablet, Smartphone
Available Colors	Black, White
Connections	USB, Ethernet, RS232, Clock, 8 Dry Contact Ports, Open Drain Output (For Relay)
Memory	microSD (32GB max)
Temperature	-10°C to 45°C
Battery	LIR2032
Mounting	Single and double gan wall socket
Dimensions	146mmx106mmx11mm
Weight	247g

SOFLEX-N

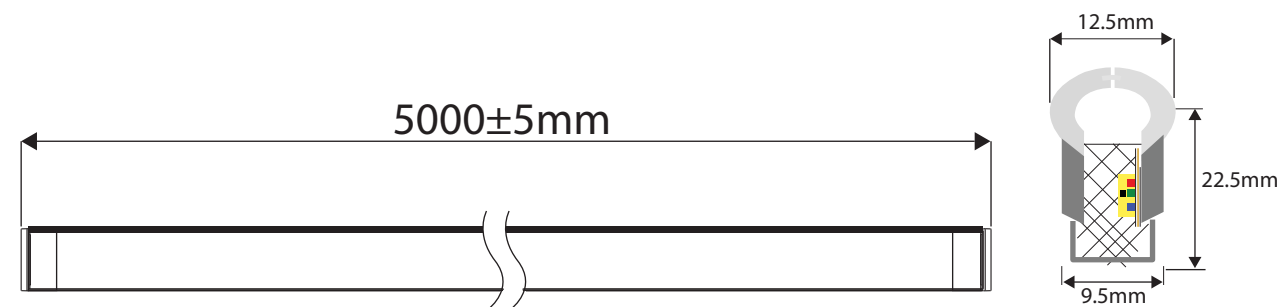
SOFLEX-N Outdoor flexible LED lines are specially designed for professional decorative outdoor lighting applications. LED lines are a perfect suit for lighting along uneven surfaces, such as covers, pillars, rounded edges and many more. SOFLEX-N LED lines are completely protected against solid particles (dust) and can submerged underwater down to 1 m (3.3 ft) of depth.



Features

- Made of best-in-class LEDs.
- Waterproof IP67 LED line for outdoor lighting applications.
- Best quality components guarantee extra long lifetime and stable performance.
- Flexible silicone.
- UV, salt & solvent resistant.
- Continuous line, no dark spots in connection points.
- Stabilized current design.
- 24V DC voltage input.
- Reverse voltage protection.
- Wide beam angle 160° enables better distribution.
- Minimum Cut length- 100mm, Minimum Horizontal Bend-120mm.

Product Dimension



General Information

Number of LED	60 per meter
Power Consumption	12Watts per meter
Input Voltage	DC 24V
LED Lifetime	>50,000hrs
Working Ambient Temperature	-35° to 50° C
Housing Material	Flexible silicone
Mechanical Impact	IK07
Certification	BIS, CE
Environment	Dry/Damp/Wet location, IP67

Specifications & Ordering Information

Power	W/M	CCT	Lumen/M	Ordering Code	CRI	Input Voltage	Dimensions (LXWXH) mm
60	12W/M	3000K	682	SFN60W3K5MHB	>80	DC 24V	5000X9.5X12.5
60	12W/M	4000K	739	SFN60W4K5MHB	>80	DC 24V	5000X9.5X12.5
60	12W/M	RGB-DMX IC with 10 pixel per meter#	290	SFN60WRGBDMX5MHB	-	DC 24V	5000X9.5X12.5
60	12W/M	RGB*	290	SFN60WRGB5MHB	-	DC 24V	5000X9.5X12.5

Note: Power supply to be ordered separately
 *To be used with external decoder and controller to be ordered separately
 # DMX Controller to be ordered separately

Dimensions(ØXH)mm	5000X9.5X12.5
Finish	White
Weight	1.68kgs

SOFLEX

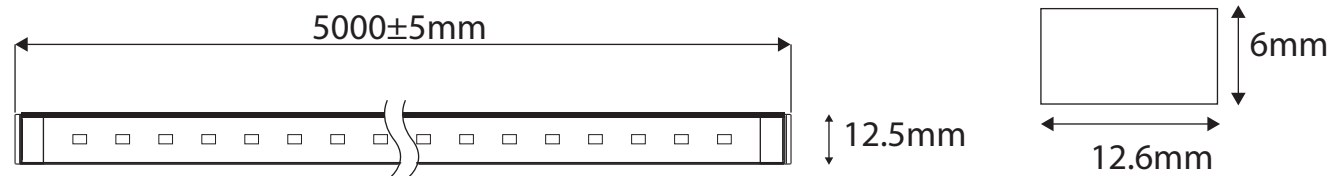
SOFLEX outdoor flexible LED lines are specially designed for professional decorative outdoor lighting applications. LED lines are a suitable suit for lighting along uneven surfaces, such as covers, pillars, rounded edges and many more.



Features

- Made of best-in-class LEDs.
- Waterproof IP66 LED line for outdoor lighting applications.
- Best quality components guarantee extra long lifetime and stable performance.
- Crystal clear housing.
- UV, salt & solvent resistant.
- Continuous line, no dark spots in connection points.
- Stabilized current design.
- 24V DC voltage input.
- Reverse voltage protection.
- Thermal conductive adhesive tape on back side for better heat conduction.

Product Dimension



General Information

Number of LED	60 per meter	60 per meter
Power Consumption	14.4Watts per meter-3000K/4000K	12Watts per meter-RGB
Input Voltage	DC 24V	
LED Lifetime	>50,000hrs	
Working Ambient Temperature	-35° to 50° C	
Housing Material	Flexible silicone	
Mechanical Impact	IK06	
Certification	BIS, CE	
Environment	Dry/Damp/Wet location, IP66	

Specifications & Ordering Information

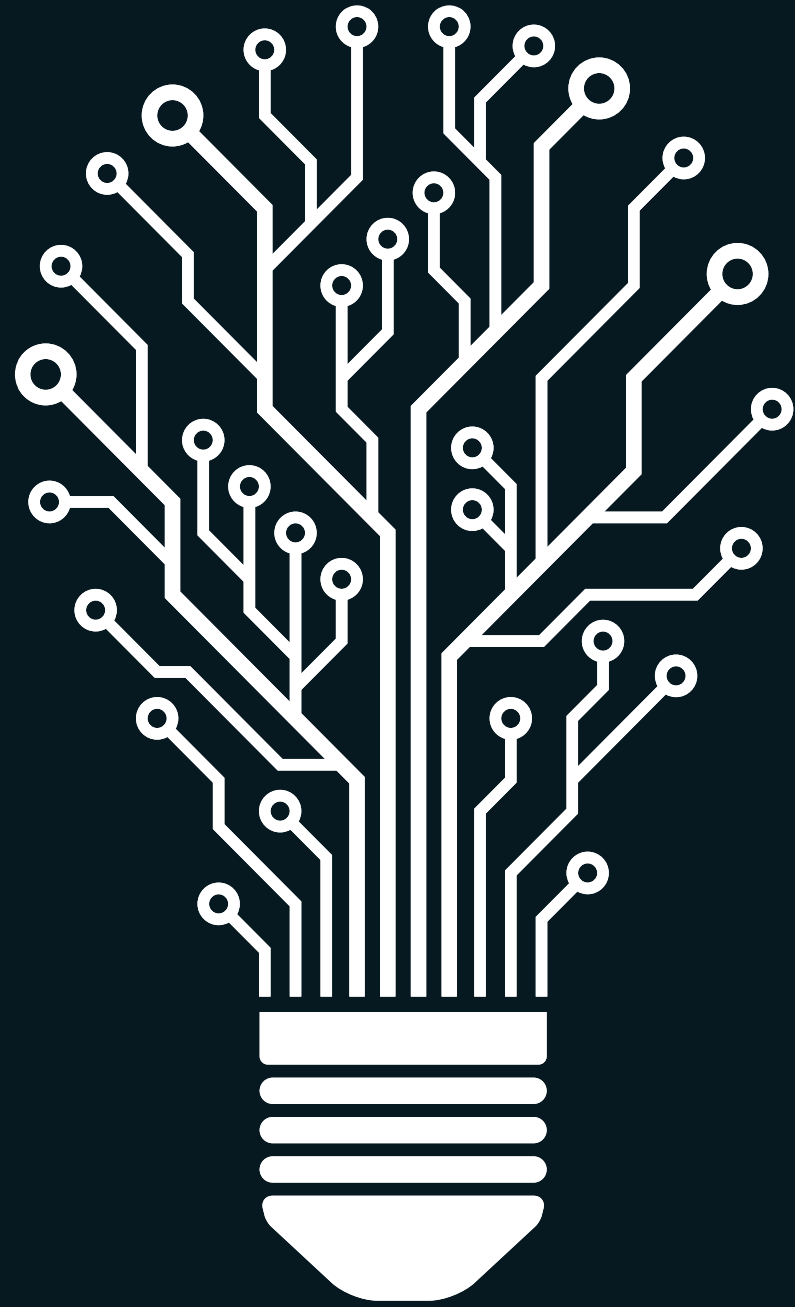
Power(W)	WATT/M	CCT	Lumen/M	Ordering Code	CRI	Input Voltage	Dimensions(LXWXH) mm
72	14.4W/M	4000K	1080	SF72W4K5M	>80	DC 24V	5000X12.6X6
72	14.4W/M	3000K	990	SF72W3K5M	>80	DC 24V	5000X12.6X6
60	12W/M	RGB-DMX IC with 10 pixel per meter	490	SF60WRGBDMX5M	-	DC 24V	5000X12.6X6
60	12W/M	RGB	490	SF60WRGB5M	-	DC 24V	5000X12.6X6

Note: Power supply to be ordered separately
 *To be used with external decoder and controller to be ordered separately
 # DMX Controller to be ordered separately

Dimensions(ØXH)mm	5000X12.6X6
Finish	transparent
Weight	0.45kgs

Luminaire Accessories		
Product Details	Item Code	Luminaire
Jump Cable Coloris RGB 1mtr	JCCSRGB1M	Coloris/Ballista/Quadro/Lincor/Arcane/Cylindra (RGB)
Jump Cable Coloris RGB 3mtr	JCCSRGB3M	Coloris/Ballista/Quadro/Lincor/Arcane/Cylindra (RGB)
Lead Cable Coloris RGB 1mtr	LCCSRGB1M	Coloris/Ballista/Quadro/Lincor/Arcane/Cylindra (RGB)
Lead Cable Coloris RGB 3mtr	LCCSRGB3M	Coloris/Ballista/Quadro/Lincor/Arcane/Cylindra (RGB)
Jump Cable Lineria LV RGB 1mtr	JCLLVRGB1M	Lineria LV/Quadro LV (RGB)
Jump Cable Lineria LV RGB 3mtr	JCLLVRGB3M	Lineria LV/Quadro LV (RGB)
Lead Cable Lineria LV RGB 1mtr	LCLLVRGB1M	Lineria LV/Quadro LV (RGB)
Lead Cable Lineria LV RGB 3mtr	LCLLVRGB3M	Lineria LV/Quadro LV (RGB)
T Cable Lineria LV RGB	TCBLLVRGB	Lineria LV/Quadro LV (RGB)
Jump Cable Lineria LV Mono 1mtr	JCLLVMO1M	Lineria LV/Quadro (Mono)
Jump Cable Lineria LV Mono 3mtr	JCLLVMO3M	Lineria LV/Quadro (Mono)
Lead Cable Lineria LV Mono 1mtr	LCLLVMO1M	Lineria LV/Quadro (Mono)
Lead Cable Lineria LV Mono 3mtr	LCLLVMO3M	Lineria LV/Quadro (Mono)
T Cable Lineria LV Mono	TCBLLVMO	Lineria LV/Quadro (Mono)
Jump Cable Lineria RGB 1mtr	JCLRGB1M	Lineria/Lineria HO (RGB)
Jump Cable Lineria RGB 3mtr	JCLRGB3M	Lineria/Lineria HO (RGB)
Lead Cable Lineria RGB 1mtr	LCLRGB1M	Lineria/Lineria HO (RGB)
Lead Cable Lineria RGB 3mtr	LCLRGB3M	Lineria/Lineria HO (RGB)
T Cable Lineria RGB	TCBLLRGB	Lineria/Lineria HO (RGB)
Jump Cable Lineria Mono 1mtr	JCLMO1M	Lineria/Lineria HO (Mono)
Jump Cable Lineria Mono 3mtr	JCLMO3M	Lineria/Lineria HO (Mono)
Lead Cable Lineria Mono 1mtr	LCLMO1M	Lineria/Lineria HO (Mono)
Lead Cable Lineria Mono 3mtr	LCLMO3M	Lineria/Lineria HO (Mono)
T Cable Lineria Mono	TCBLLMO	Lineria/Lineria HO (Mono)

General Accessories	
IP67 Two way 3 Pin Connector	IP67CON2W3P
IP67 Three way 3 Pin Connector	IP67CON3W3P
IP67 Two Way 2 Pin Connector	IP67CON2W2P
IP67 Three way 2 Pin Connector	IP67CON3W2P
IP65 Controller Box	IP65CONTB0X
Signal Booster 24V DC	SGBS24V
Signal Booster AC, to be ordered with PS	SGBSFL
Power Supply 24V, 0~0.75A,18W	PS24V.75A18W
Power Supply 24V, 0~1.5A,36W	PS24V1.5A36W
Power Supply 24V, 0~2.5A,60W	PS24V2.5A60W
Power Supply 24V, 0~6.3A,150W	PS24V6.3A150W
DMX Controller 2X512 U7	DMXCT1024U7
DMX Controller 2X512 DE3	DMXCT1024DE3
DMX Controller 512 U10 wifi	DMXCT1024U10WIFI
Address Writer	ADRSWRTRL1
DMX Decoder	DCDRDMX
DMX 3 channel Splitter	DMXSPLTR3CH



Technical Information

Technical Information

Ballast lumen factor BLF (%)

Refers to the ratio of light output from the lamp on emergency operation to the nominal light output.

Beam Angle

Indicates how broadly the light is emitted from a reflector lamp. It can be thought of as an imaginary cone whose apex intersects the lamp face, and the breadth of the cone extends outwards to the point where luminous intensity has diminished to 50% of the centre beam value.

Binning

The term binning refers to the variations which occur within a single production batch of LED's such as chromaticity, lumen output and forward voltage. It is important that a specific bin has been identified and selected to ensure that a uniform and constantly even lighting installation is achieved. If all the LED's were selected from one production batch and used in the same luminaire or installation, there would be a mix of colour temperatures and brightness levels. For the lighting manufacturer/designer binning is an essential part of LED specification.

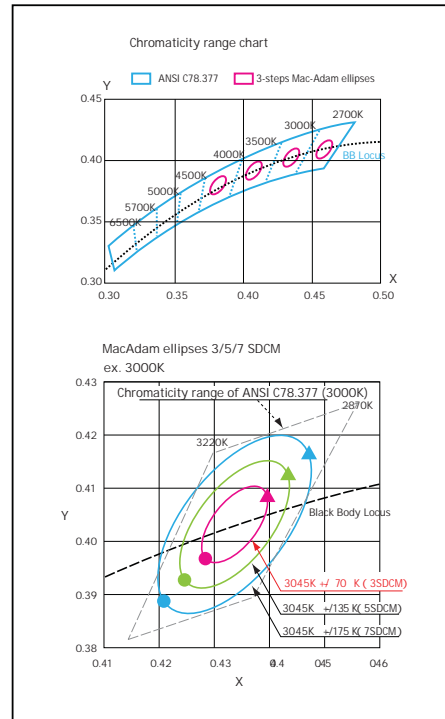
MacAdam ellipses methodology was created in 1943 for mathematically constructing ellipses around target points, something which became very useful for the lamp industry. ANSI C78.377 is now the standard for chromaticity specified by the American National Standards Institute. ANSI recommends that lamp manufacturers stay within a '4-step' ellipse. This means that, given a certain target point on the CIE diagram, manufacturers are given a fairly wide range of perceptible differences.

Candela (cd)

The unit of measurement for luminous intensity, which refers to the quantity of light emitted in a particular direction. The symbol is cd.

Colour Correlated Temperature (CCT)

An incandescent light bulb is very close to a perfect black-body radiator, so its colour temperature is basically the temperature of the filament. However many light sources, such as fluorescent tubes or high-intensity discharge lamps, emit light by processes other than thermal radiation, and therefore it is not possible to apply the black-body spectrum. For these light sources, it is possible to assign what is known as a colour-correlated temperature (CCT). The CCT is the colour temperature of a black-body (Planckian) radiator which most closely matches the colour of the light emitted from the lamp.



Warm White 3000 K Neutral White 4000 K

Technical Information

Colour Rendering Index (CRI)

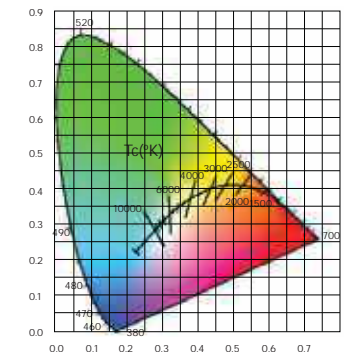
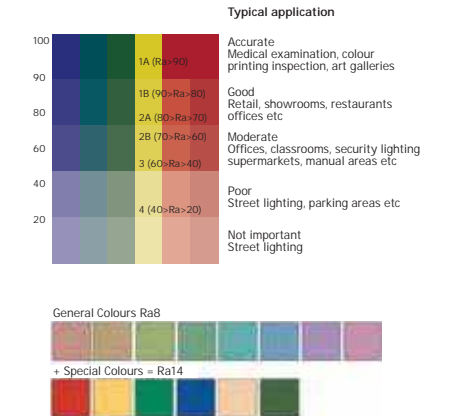
The colour rendering of a light source is an indicator of its ability to realistically reproduce the colour of an object. The chart illustrates our ability to accurately determine colour depending on the colour rendering properties of the light source. The higher the colour rendering index (on a scale of 0 to 100) of the source, the better our ability to perceive differences in colour, which is a considerable aid to highlighting fashion products and effective display of coloured artworks.

The CIE colour rendering index (CRI) is a method to determine how well a light source's illumination of eight standardised colour patches compares to the illumination provided by a reference source. At Ra (8) the perceived colour shift of eight reference colours is measured as a percentage and averaged to give one number. However, it is currently understood that due to the spectral power distribution of LED's instead of using the standard Ra8, it is important to include 7 additional colours which include red, yellow, blue & green and use Ra14 to ensure better results.

Colour Temperature

Colour temperature is a characteristic of visible light that plays a significant role in lighting applications. The colour temperature of a light source is the temperature of a perfect black-body radiator that radiates light of a similar appearance to that of the light source. The colour temperature is measured in units of absolute temperature; Kelvin (K)

Colour temperature works paradoxically to our cultural associations with colour, red as hot and blue as cold. On the black-body curve, blue occurs at higher temperatures than red. A good example is a candle which has a warm red orange appearance but in fact has a low Kelvin temperature, 1850K. Therefore higher colour temperatures (5000K more) are called cool colours (blueish white); lower colour temperatures (2700 - 3000 K) are called warm colours (yellowish white through red).



The Planckian locus shows the chromaticities of black-body light sources of various colour temperatures and lines of constant correlated colour temperature shown within the CIE chromaticity diagram.

Technical Information

Dimmability

The Orient electric lamp range includes Dimmable LED lamps. Most conventional dimmers have been designed for incandescent lamps and are therefore rated for higher minimum loads (W) than LED lamps consume. There may therefore be some restrictions in terms of functionality of dimmers with individual LEDs – but when more than one lamp is used to increase the total loading, dimming becomes easier. For the full list of dimmer compatibility, please consult your local salesforce.

Drivers

Electronic devices that transform the high mains voltage into a constant current lower voltage for operating LEDs. A miniature electronic driver is contained inside the base of each Orient electric LED lamp.

Glare

Discomfort glare is due to a high contrast between the source of light and the task. It is for that reason that luminance values are limited to certain tasks.

Heat Sink

A device used to conduct heat away from the LED sources and dissipate it to the surrounding air. The more efficiently an LED is cooled, the greater its efficacy, light output and lifetime. Materials having excellent thermal properties and optimised cooling fin geometries are engineered into Orient Electric lamps and luminaires to deliver the pinnacle of performance.

Infrared (IR) Radiation

Comprises electromagnetic waves in the spectral range between visible light and microwaves, which produce a heating effect when absorbed by materials. All lamps and luminaires produce infrared radiation, but the quantity emitted by LEDs is far lower than other technologies. This makes them ideal for reducing air conditioning load, as well as for the illumination of heat-sensitive goods.

Illuminance

This definition determines the amount of light that covers a surface. If Φ is the luminous flux and S is the area of the given surface, then the illuminance E is determined by $E=\Phi/S$. The unit of illumination in the SI system is lx. In the foot-pound system, it is foot-candle. One lx is the illuminance of 1 m² surface area uniformly lighted by 1 lm of luminous flux.

Junction Temperature (Tj)

The temperature of the junction of the LED die inside the LED lamp. Measuring the LED die temperature by direct mechanical means is difficult and may lead to erroneous results. It is recommended that the Tj is calculated with manufacturer's data through the measurement of the temperature at the solder point (Tsp).

LED (Light-Emitting Diode)

The semiconductor in the LEDs we provide emits blue light. The colour of the light ultimately depends on the phosphors used on the surface of the LED or lens.

Lens

An optical component having two refractive surfaces, at least one of which is either convex or concave. In LED lamps, the function of a lens is to focus or disperse the light rays to achieve the desired beam angle or light distribution pattern.

Technical Information

Lifetime

LED lamps can have extremely long lives, however, their light output diminishes as they age. They can carry on working until they are emitting less than 10% of their initial light output, but with so little light left they would be practically useless. Orient electric defines the lifetime of its LED lamps the same way as for other lamps: i.e. the burning hours until the light output has decreased to 70% of the initial value, or when 50% of a group of lamps will have failed – whichever is the soonest. The International Electrotechnical Commission (IEC) is currently preparing an international standard based on similar threshold values.

Light

Light Electromagnetic radiation with a wavelength between 380-780nm. Ultraviolet light has a wavelength of less than 380nm, whilst infrared light's is greater than 720nm.

Lighting level

A measure of light falling on a particular point or surface. This unit is measured in lux.

Light output ratio (LOR)

The ratio of the luminaire light output to lamp light output. The efficiency of the luminaire.

Lumen (lm)

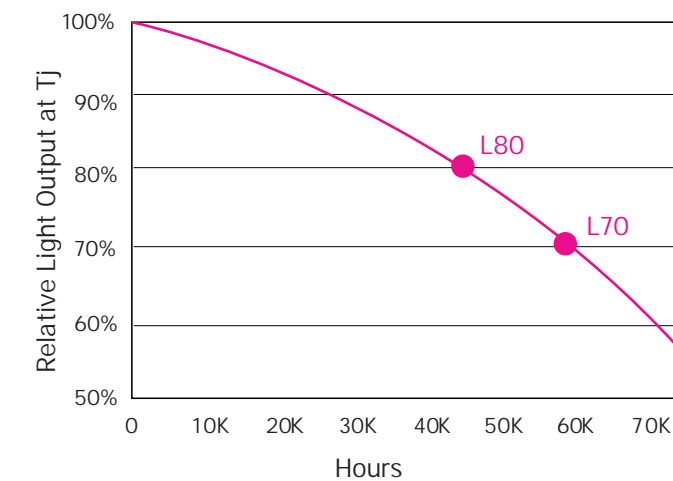
Unit of luminous flux used to describe a quantity of light emitted by a source.

Lumen Maintenance

Rated Lumen Maintenance Life (Lxx): The elapsed operating time over which the LED light source will the percentage, xx, of its initial light output.

- L80 = Time to 80% lumen maintenance, in hours
- L70 = Time to 70% lumen maintenance, in hours

For LED lamps and luminaires, lumen maintenance is often shown as curves of relative lumen output over time for the LED under various operating conditions, such as drive current and junction temperature.



Technical Information

Luminance

The measure of brightness with which the eye perceives an illuminated surface from a certain direction. The luminous intensity per unit of visible surface of a light source (direct) or an illuminated surface (reflection). Luminance is indicated in candelas per square metre (cd/m²).

Luminous efficacy (lm/W)

Indicates how efficiently a light source converts electrical energy to light.

Luminous flux (lm)

The total light output of a light source measured in lumens.

Luminous intensity (cd)

The power of a source or illuminated surface to emit light in a particular direction, measured in candelas.

Lux (lux)

The unit of illuminance, equal to one lumen per square metre (lm/m²).

Illuminance cone

This shows the beam angle and illuminance figures at different heights.

Polar curve

The graphic representation of the luminous intensity in different directions. If two curves are plotted, the distributions are in two vertical planes. They are absolute values.

Recycling

Orient Electric lamps and luminaires are extremely durable and do not contain any mercury, lead or other toxic metals. However, because their drivers contain electronic components, they must be disposed of as electrical and electronic waste at the end of their life.

Reflector

An optical component having a reflective surface (the surface could be specular or diffusing, depending on the job it is required to do), which captures light rays from the source and bounces them back at a particular angle. Although more commonly used in incandescent and halogen lamps, some Orient Electric LED lamps use reflectors to control their light instead of a lens.

Room index K

An index relating to the dimensions of a room, influencing the amount of light emitted from the fitting onto the working surface.

$$K = \frac{a \times b}{h \times (a+b)}$$

where: a = room length

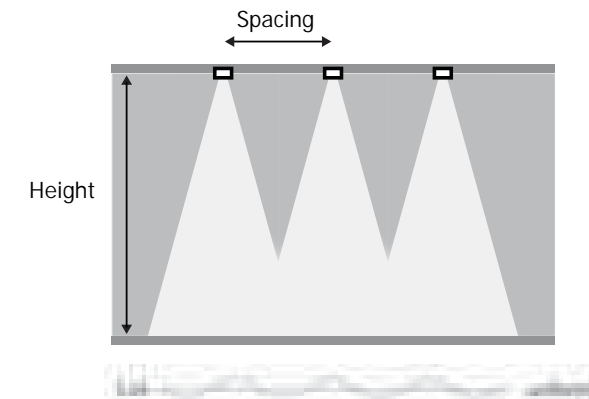
b = room width

h = height between the luminaire and working surface

Technical Information

Spacing to height ratio (SHR)

Used to determine the maximum distance between luminaires. The ratio of the distance between adjacent luminaires to the the distance between the luminaire plane and the horizontal working plane.



Switching Frequency

LED lamps cannot be switched on and off indefinitely, but are rated to tolerate an impressive 60,000 switching cycles or more.

Uniformity ratio of illuminance

This indicates the degree of evenness of the light on the working surface and is shown as a ratio of the minimum to the mean lighting level on a surface. It becomes less even as the uniformity decreases. Typically you want 0.7 as a min for most schemes.

Ultra Violet (UV) radiation

Comprises electromagnetic waves in the spectral range between visible light and X-rays, which are invisible to the human eye but essential for all life (delivered via natural sunlight). Small amounts of UV are emitted by many light sources (e.g. halogen and discharge) and over time will cause fading of coloured objects being illuminated. Orient Electric lamps and luminaires do not emit any UV radiation.

Utilisation factor

The ratio of the light flux which the reference surface receives to the total luminous flux. This is influenced by the shape of the room and selected luminaire and is expressed in the form of UF tables.

IP Ratings

Ingress protection ratings (IP)

The resistive performance of fittings to solids and liquids is indicated by the IP (Ingress Protection) prefix followed by two numbers.

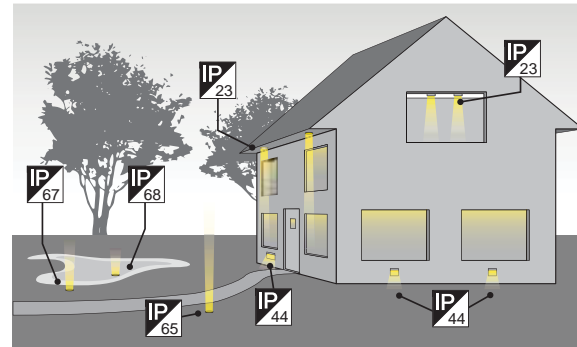
The first number indicates the measure of protection against the ingress of solids. For instance:

The second number indicates the measure of protection against the ingress of liquids. For instance:

Ingress Protection (IP) Specification Guide

Protection against the ingress of solid objects

IP No.	Example	Protection against contact and ingress of objects	Tests	Symbol
		Protected against solid objects greater than 50mm ø	A large surface of the body, such as a hand (but no protection against deliberate access). Solid objects exceeding 50 mm in diameter.	
		Protected against solid objects greater than 12mm ø	Fingers or similar objects not exceeding 80 mm in length. Solid objects exceeding 12mm in diameter.	
		Protected against solid objects greater than 2.5mm ø	Tools, wires, etc., of diameter or thickness greater than 2.5mm. Solid objects exceeding 2.5mm in diameter.	
		Protected against solid objects greater than 1.0mm ø	Wires or strips of thickness greater than 1.0mm. Solid objects exceeding 1.0 mm in diameter.	
		Dust-protected	Ingress of dust is not totally prevented but dust does not enter in sufficient quantity to interfere with satisfactory operation of the equipment.	
		Dust tight	No ingress of dust.	



Ingress Protection (IP) Specification Guide

Protection against the ingress of solid objects

IP No.	Example	Protection against contact and ingress of water	Tests	Symbol
		Protected against dripping water	Dripping water (vertically falling drops) shall have no harmful effect.	
		Protected against dripping water when tilted up to 15°	Vertically dripping water shall have no harmful effect when the enclosure is tilted at any angle up to 15° from its normal position.	
		Protected against spraying water	Water falling as a spray at an angle up to 60° from the vertical shall have no harmful effect.	
		Protected against splashing water	Water splashed against the enclosure from any direction shall have no harmful effect.	
		Protected against water jets	Water projected by a nozzle against the enclosure from any direction shall have no harmful effect.	
		Protected against heavy seas	Water from heavy seas or water projected in powerful jets shall not enter the enclosure in harmful quantities	
		Protected against the effects of immersion	Ingress of water in a harmful quantity shall not be possible when the enclosure is immersed in water under defined conditions of pressure and time	
		Protected against submersion	The equipment is suitable for continuous submersion in water under conditions which shall be specified by the manufacturer. NOTE: Normally, this will mean that the equipment is hermetically sealed. However, with certain types of equipment, it can mean that water can enter but only in such a manner that it produces no harmful effects.	

IK Ratings

Degree of Impact Protection EN62262.

The IK rating system is an international classification showing degrees of protection provided by luminaires against external mechanical impacts.

Number	Measure of protection - impact energy (joules)	Test
	No protection to this standard -	
	0.15	0.20 kg impact
	0.20	0.20 kg impact
	0.35	0.20 kg impact
	0.50	0.20 kg impact
	0.70	0.20 kg impact
	1.00	0.50 kg impact from 200mm
	2.00	0.50 kg impact from 400mm
	5.00	1.70 kg impact from 295mm
	10.00	5.00 kg impact from 200mm
	20.00	5.00 kg impact from 400mm

When higher impact energy protection is required, 50 joules is recommended.

Guide To Symbols

Electrical protection EN60598

- Class I - Luminaire which relies on an earthed metal case to offer protection from live parts in case of failure.
- Class II - Luminaire which relies on two layers of insulation to offer protection from live parts in case of failure.
- Class III - Luminaire which relies on supply at safely extra-low voltage (SELV) and in which voltages higher than those of SELV are not generated
- Horizontal rotation
- Vertical tilt
- Ingress protection
- Impact protection
- RoHS compliant

COLORIS

Power house of light

COLORIS Mini provides unique high-quality light for highlighting facades, building cornices and crowns. The excellent performance of this spotlight in terms of energy-saving and efficacy combines the long life of 70,000 hours and material with IP66 protection for outdoor installation.



Features

- Wide range of CCT output 2700k, 3000k, 4000k, 5700k, RGB, RGBA, RGBW, 2700-6500K.
- Powered directly with AC line voltage.
- High quality die-cast aluminium construction.
- Powerful flood light with super consistent light and colour mixing of 16.7million RGB plus W colours.
- COLORIS comes with a variety of beam angles for various applications.
- LED lifetime > 70,000 hrs.



General Information

Number of LED	36	48
Power Consumption	50W	100W
Beam Angle	4°, 8°, 10°, 20°, 40°, 60°, 10X35°	
Input Voltage	AC 100-277V	
LED Lifetime	>70,000hrs	
Working Ambient Temperature	-35° to 50°C	
Housing Material	Die-cast aluminium	
Lens	UV protected clear lens	
Mechanical Impact (Glass/Body)	IK07	
Certification	BIS, CE	
Environment	Dry/Damp/Wet Location, IP66	

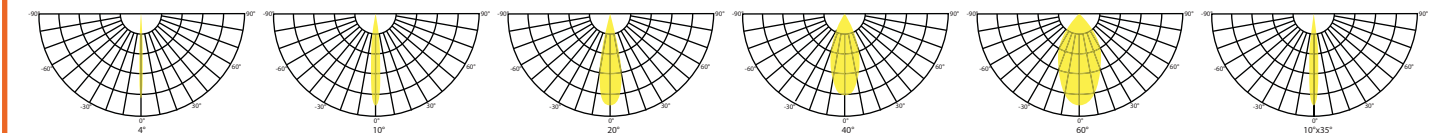
Specifications & Ordering Information

Power(W)	CCT	Lumen	Ordering Code	CRI	Input Voltage	Dimensions(LXWXH)mm
50	RGB	1974	FC-COMI50WRGB	-	AC 100-277V	340X90X405
100	RGB	3600	FC-COMI100WRGB	-	AC 100-277V	340X90X405

Note : Beam angle for the above products is 40° by default. For ordering codes of other beam angles, please connect with an Orient representative.

Dimensions(LXWXH)mm	340X90X405
Finish	Grey
Weight	7kg

Polar Curve



Product Dimension

