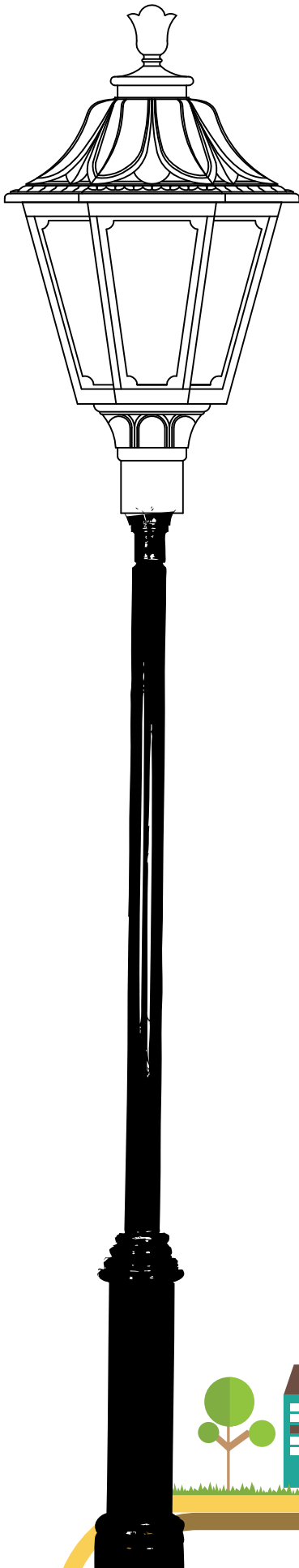


URBAN
OUTDOOR
LIGHTING
CATALOGUE
2018





SEVEN DECADES OF TRUST, INNOVATION & EXCELLENCE

We started our journey more than 70 years ago, manufacturing and distributing highly efficient, premium quality fans. Since then, we have grown; embracing new frontiers in technology and innovation, to become one of the leading consumer electrical brands in India. Today, we are the largest manufacturer and exporter of fans from India with a dominating global presence in over 35 international markets. In the domestic market, we enjoy a robust pan-India reach, with over 1 lakh retail outlets and a service network covering 300 cities aided by a 24x7 call center.

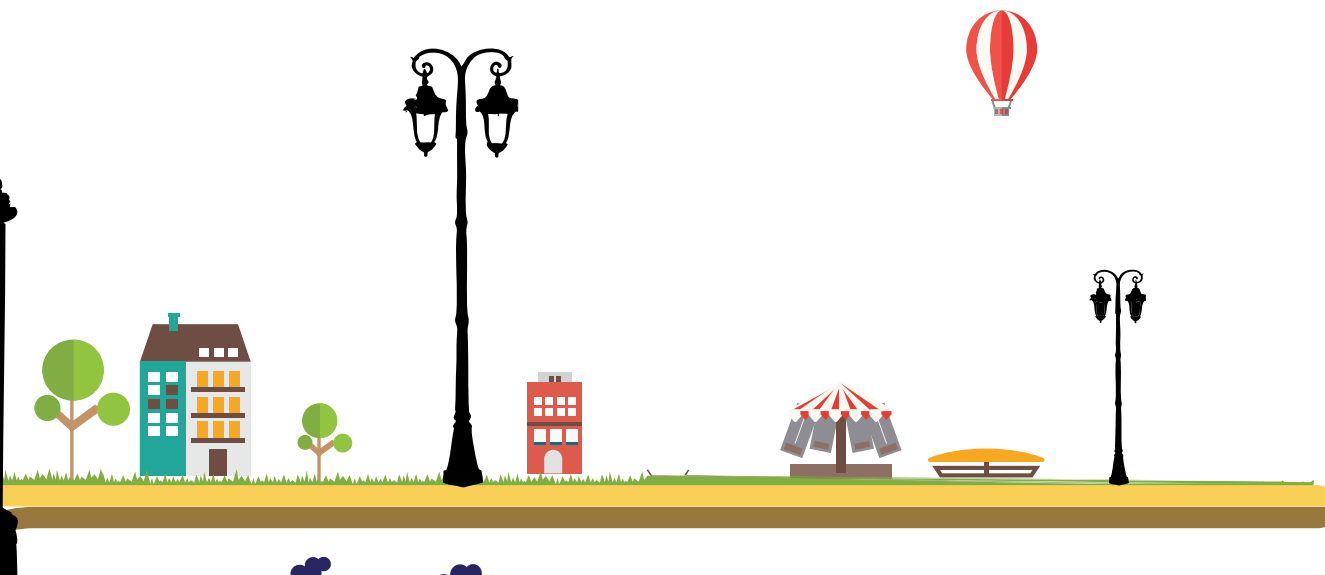
Not only this, we have also paved the way for pioneering developments in fans, home appliances, lighting and switchgear.

We take pride in our R&D capabilities, spirit of continuous innovation and commitment to manufacturing cutting-edge lifestyle electrical products that meet the needs and expectations of modern consumers.

We have always strived to achieve and exceed industry benchmarks in quality and processes through constant evolution and rejuvenation.

As always, we will continue to partner our customers at every stage of their lives by offering superior lifestyle solutions with technology that makes their world safer, easier and creatively inspiring.

Orient Electric offers a diverse variety of lighting solutions apart from its equally diverse range of fans and home appliances. Advancing with modern requirements, the brand constantly upgrades to newer technologies. These, being low on cost and more efficient, are used for industrial lighting and outdoor, and also for specialised lighting requirements. With the power of the most futuristic and smartest lighting solutions, it is so easy to switch to smart.



FELICITATIONS THAT SPUR US ON

Orient Electric and its efforts towards excellence have been lauded by several awards and accolades. Here is a look at some of the most prominent ones.

Most Trusted Brand, 2015

Orient Electric earned the status of being one of India's most trusted brands in 2015, as per a Nielsen survey. It was listed in the Consumer Durables category in the Most Trusted Brand Survey report.

Global Quality Award, 2015

Orient Electric bagged the prestigious Global Quality Award for the Quality Energy-Efficient Lighting Products Manufacturer of the Year in 2016. The Global Quality Awards recognise doers and pioneers across the manufacturing sector in India.

ASSOCHAM's Corporate Excellence Award, 2016

Orient Electric received the award for The Comeback Brand in the Consumer Durables category at the ASSOCHAM National Brand Summit & Excellence Awards in 2016. The prestigious awards felicitate Indian brands working in various sectors towards excellence and innovation.

Make in India Award for Excellence, 2015

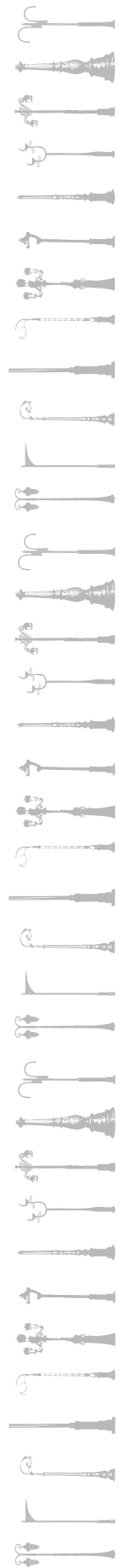
Orient Electric bagged the prestigious Make in India Award for Excellence in the Consumer Electrical Products category in 2015. The Make in India Awards for Excellence recognise contributions that enable India to become a leading global economy.

Icon of the Year, 2015

Orient Electric won the Icon of the Year award in the Lighting & Switchgear category in 2015. The Brands Academy Icon of the Year Awards are given to select individuals, brands and organisations to recognise their outstanding contributions to the economic growth of India.

Superbrand, 2016 & 2017

Orient Electric received Superbrand two times in a row in consumer durable category in 2016 & 2017

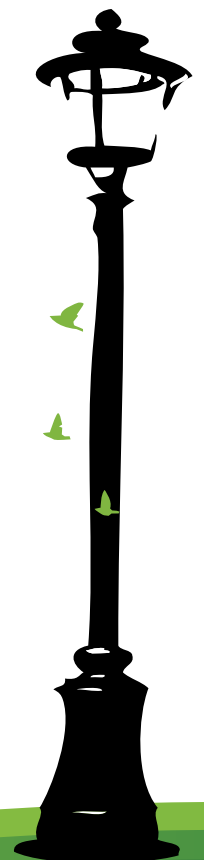


Urban outdoor lighting

The street lighting architecture is an essential part of an environment's aesthetics. Creating an effective streetscape involves selecting products that not only blend with the architecture, but also suit their surroundings. Effective outdoor lighting needs designs that are not just an optimum mix of performance and aesthetics, but also sensitive to the growing environmental and energy demands. As part of such an environment, the luminaires' appeal in the daytime is just as important as their performance at night. Wider roads like highways, main and auxiliary roads require poles and fixtures with considerable mounting heights. On the other hand, historic areas, gardens, city centres and pathways use more pedestrian-scale products to create an inviting environment. Incorporating ornamental luminaires into a streetscape can create an ambiance that pairs well with the appeal of the surrounding structures. Though ornamental poles and luminaires invoke an early era through their appearance, they have evolved with state-of-the-art LED technology. Designer LED outdoor luminaires can provide the required surface illumination using less energy, with a better uniformity. The LED technology is improving rapidly in terms of luminous efficacy, colour quality, optical design, thermal management and cost, and when combined with aesthetic product design, it delivers a safe, sustainable and wholesome lighting experience.

What we offer

Orient Electric's urban outdoor lighting products combine design with performance to give a signature daytime appearance while providing effective nighttime illumination. We offer lighting inspired by various eras as a design element in public spaces, while providing the illumination needed to create a safe and secure environment after dusk. Our luminaire range gives clients the option to replicate almost any historic period to complement the site architecture. Orient Electric offers a wide variety of decorative poles, available in various heights to match the scale of the surroundings and adapt to specific needs. A suitable combination of our luminaires and poles promotes uniformity and visual comfort while minimising light wastage, and comes with ease of installation and maintenance. Orient's LED luminaires, poles and LED bollards are perfectly suited for street lighting, area lighting, pathway lighting, and other architectural applications in all types of settings, turning the outdoor environment from mundane to majestic.



Urban Lighting Product Categories

-  LED decorative
Luminaires 1-69
-  Poles 70-131
 - *Full Cast Iron/Full Cast Aluminium Poles
 - *Cast Iron /Cast Aluminium - GI Combo poles
 - *Full GI - Contemporary poles
-  Bollards 132-169





LED DECORATIVE LUMINAIRES





ARGO



Combination of pendant appeal and post top pole mounting LED luminaire that has nostalgic looks of yesterday



LUMINAIRE CHARACTERISTICS

Optical Compartment Tightness Level	IP65
Ambient Temperature range	- 10° C to +40° C
Nominal Input Voltage Frequency	240V/50Hz
Electrical Class	I
Power Consumption (Wattage) range	40W / 50W / 75W / 100W
Luminaire efficacy (lumen/watt)	>=90 Lumen/watt*
Colour standard	Grey (other RAL colours available on request)

FEATURES

- The Luminaire gives ornamental look for urban landscapes.
- It consists of die cast aluminium housing and effective thermal management with aluminium heat sink on which LED system is mounted
- The luminaire emits a pleasant, glare-free light with its UV stabilised optical grade Poly carbonate diffuser
- Power LEDs with efficiently designed optics to provide required light distribution

LED SOURCE CHARACTERISTICS

Correlated Colour Temperature (CCT)	3000K/5700K (+/-500K)
Colour Rendering Index (CRI)	>80

POWER SUPPLY

Input voltage	AC 100-270V
Surge protection	4KV
Power Factor	>0.9
Driver efficiency	>85 %
THD	<15%
External SPD	10KV

APPLICATIONS

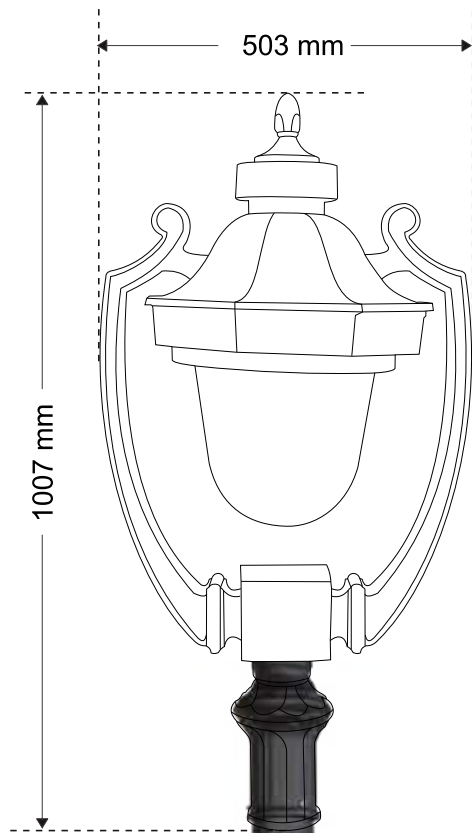
- Road Lighting
- Area Lighting
- Parks and Garden lighting
- Architectural spaces

OPTIONAL FEATURES

- Road Lighting- IOT/dimming through remote management system to save power
- Any RAL colour on request

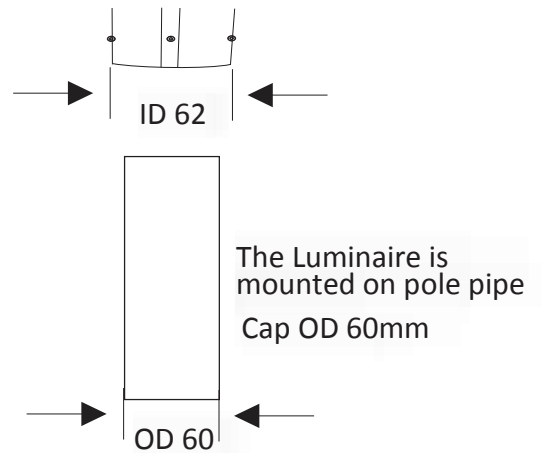


DIMENSIONS



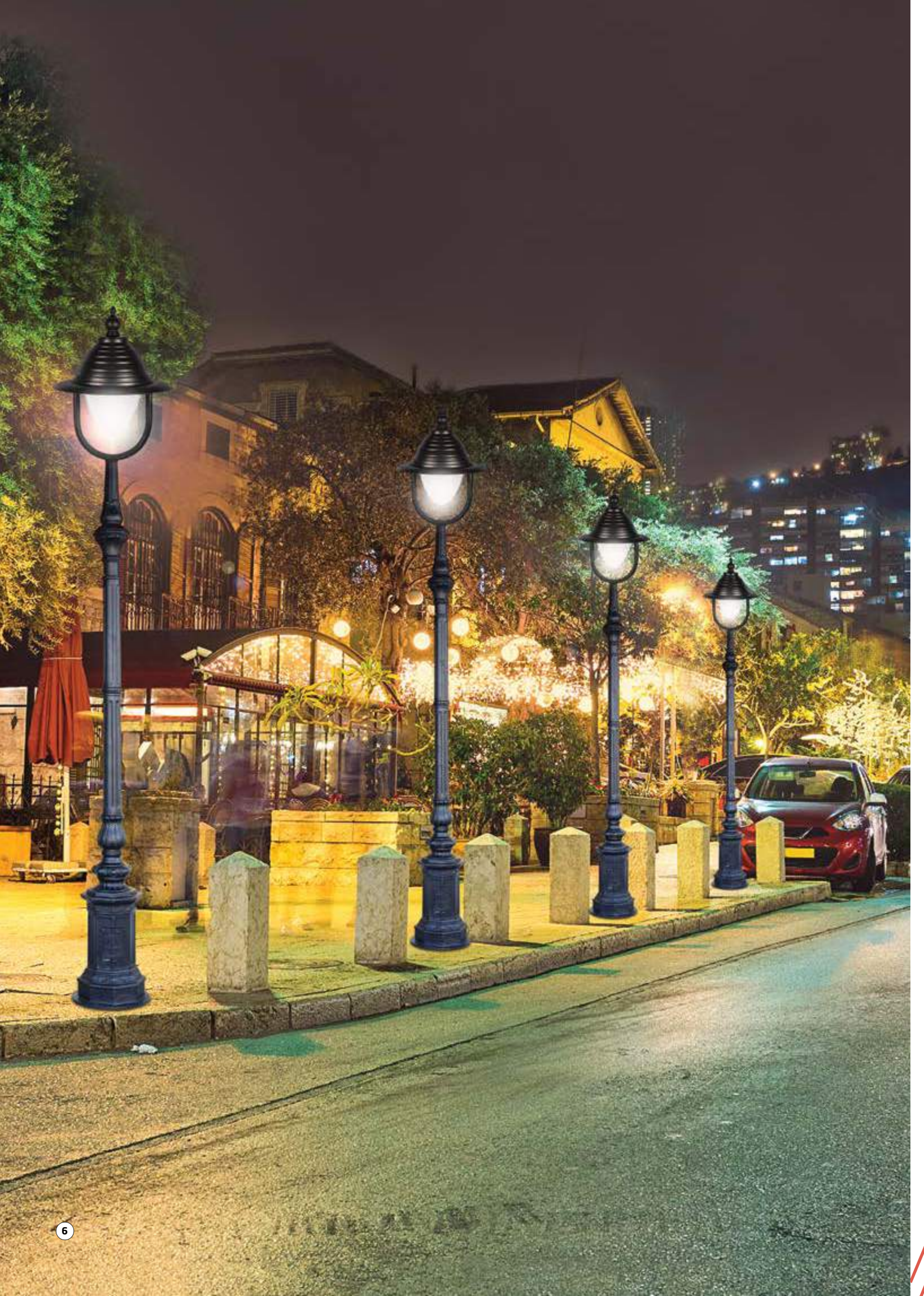
All dimensions are in mm

MOUNTING



ORDERING DATA

Product Code	Product description	Wattage (W)	Standard CCT (K)	Mounting height (M)
OSL-ARGPT040WDA	ARGO LUMINAIRE PT 40W LED DA	40	5700K (+/-500K)	5m-7m
OSL-ARGPT050WDA	ARGO LUMINAIRE PT 50W LED DA	50	5700K (+/-500K)	5m-7m
OSL-ARGPT075WDA	ARGO LUMINAIRE PT 75W LED DA	75	5700K (+/-500K)	6m-8m
OSL-ARGPT100WDA	ARGO LUMINAIRE PT 100W LED DA	100	5700K (+/-500K)	6m-8m
OSL-ARGPT040WSA	ARGO LUMINAIRE PT 40W LED SA	40	5700K (+/-500K)	5m-7m
OSL-ARGPT050WSA	ARGO LUMINAIRE PT 50W LED SA	50	5700K (+/-500K)	5m-7m
OSL-ARGPT075WSA	ARGO LUMINAIRE PT 75W LED SA	75	5700K (+/-500K)	6m-8m
OSL-ARGPT100WSA	ARGO LUMINAIRE PT 100W LED SA	100	5700K (+/-500K)	6m-8m



ALCOR



Combination of vintage memory and skilful optics encased in this ornamental drop down light fixture adds high aesthetic value to urban lighting

LUMINAIRE CHARACTERISTICS

Optical Compartment Tightness Level	IP65
Ambient Temperature range	- 10° C to +40° C
Nominal Input Voltage Frequency	240V / 50Hz
Electrical Class	I
Power Consumption (Wattage) range	40W-120W
Luminaire efficacy (lumen/watt)	>=100 Lumen/watt*
Colour standard	Grey (other RAL colours available on request)

LED SOURCE CHARACTERISTICS

Correlated Colour Temperature (CCT)	5700K / 3000K 4000K (+/-500K)
Colour Rendering Index (CRI)	>80

POWER SUPPLY

Input voltage	AC100-270V
Surge protection	4KV
Power Factor	>0.9
Driver efficiency	>85 %
THD	<15%
External SPD	10KV

FEATURES

- The Luminaire gives ornamental look for urban landscapes
- It consists of aluminium canopy housing with effective thermal management with extruded aluminium heat sink on which LED system is mounted
- The luminaire emits a pleasant, glare-free light with its UV stabilized clear optical grade Poly carbonate diffuser
- Power LEDs with efficiently designed optics to provide required light distribution

APPLICATIONS

- Pathway Lighting
- Area Lighting
- Parks and Garden lighting
- Architectural spaces

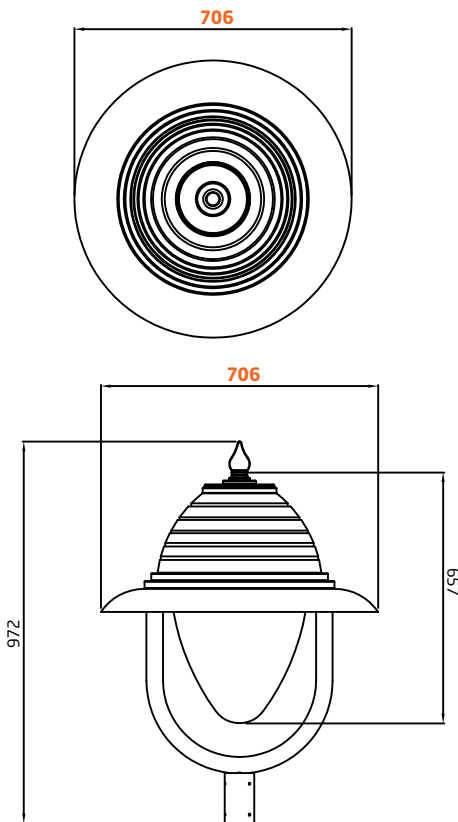
OPTIONAL FEATURES

- Smart Control/dimming through remote management system to save power
- Any RAL colour on request
- Post top version also available



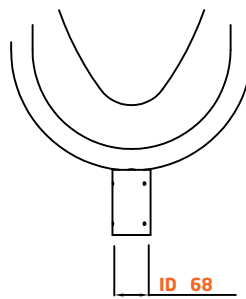
DIMENSIONS

MOUNTING



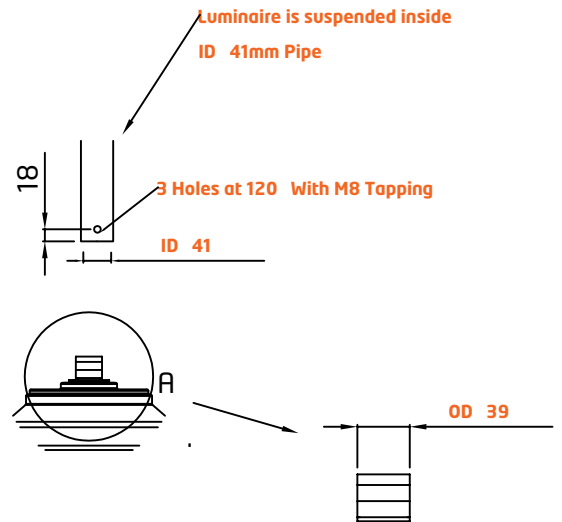
All dimensions are in mm

Post Top Mounting



Luminaire is Mounting On
OD 60mm Pipe

Drop Down Mounting



ORDERING DATA

Product Code	Product description	Wattage (W)	Standard CCT (K)	Mounting height (M)
OSL-ALCORDD040W	ALCOR LUMINAIRE DD 40W LED	40	5700K (+/-500K)	5m-7m
OSL-ALCORDD060W	ALCOR LUMINAIRE DD 60W LED	60	5700K (+/-500K)	5m-7m
OSL-ALCORDD075W	ALCOR LUMINAIRE DD 75W LED	75	5700K (+/-500K)	6m-8m
OSL-ALCORDD090W	ALCOR LUMINAIRE DD 90W LED	90	5700K (+/-500K)	7m-9m
OSL-ALCORDD120W	ALCOR LUMINAIRE DD 120W LED	120	5700K (+/-500K)	7m-9m
OSL-ALCORPT040W	ALCOR LUMINAIRE PT 40W LED	40	5700K (+/-500K)	5m-7m
OSL-ALCORPT060W	ALCOR LUMINAIRE PT 60W LED	60	5700K (+/-500K)	5m-7m
OSL-ALCORPT075W	ALCOR LUMINAIRE PT 75W LED	75	5700K (+/-500K)	6m-8m
OSL-ALCORPT090W	ALCOR LUMINAIRE PT 90W LED	90	5700K (+/-500K)	7m-9m
OSL-ALCORPT120W	ALCOR LUMINAIRE PT 120W LED	120	5700K (+/-500K)	7m-9m



CANOPUS



Victorian era Luminaire that dwells so well with vintage designer poles or wall brackets adding gothic cultural appeal to the street



LUMINAIRE CHARACTERISTICS

Optical Compartment Tightness Level	IP65
Ambient Temperature range	- 10° C to +40° C
Nominal Input Voltage Frequency	240V / 50Hz
Electrical Class	I
Power Consumption (Wattage) range	36W-90W
Luminaire efficacy (lumen/watt)	>=100 Lumen/watt*
Colour standard	Graphite Grey (other RAL colours available on request)

LED SOURCE CHARACTERISTICS

Correlated Colour Temperature (CCT)	5700K / 3000K 4000K (+/-500K)
Colour Rendering Index (CRI)	>80

POWER SUPPLY

Input voltage	150-270V
Surge protection	4KV
Power Factor	>0.9
Driver efficiency	>85 %
THD	<15%
External SPD	10KV

FEATURES

- The Luminaire gives ornamental look for urban landscapes
- It consists of Cast aluminium housing with optical grade clear/Frosted PMMA diffuser
- The Luminaire emits a pleasant, glare-free light
- High Power discreet LEDs with efficiently designed optics to provide required light distribution

APPLICATIONS

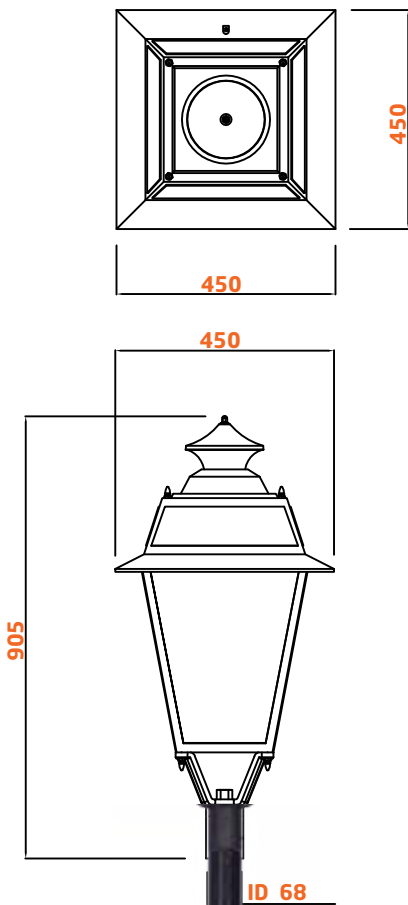
- Pathway Lighting
- Area Lighting
- Parks and Garden lighting
- Architectural spaces

OPTIONAL FEATURES

- Smart Control- IOT/dimming through remote
- Any RAL colour on request
- Drop down mounting version also available



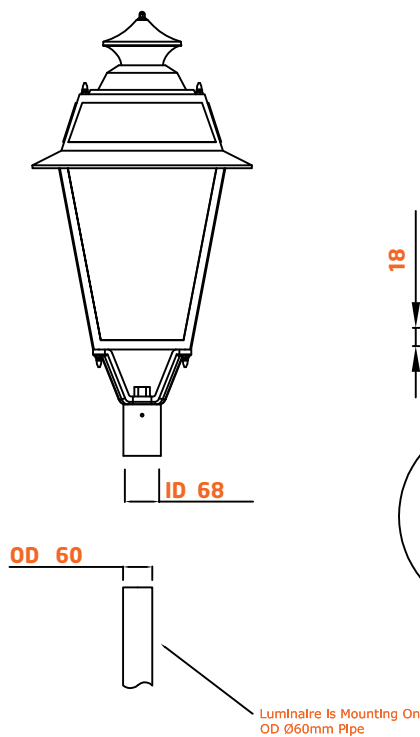
DIMENSIONS



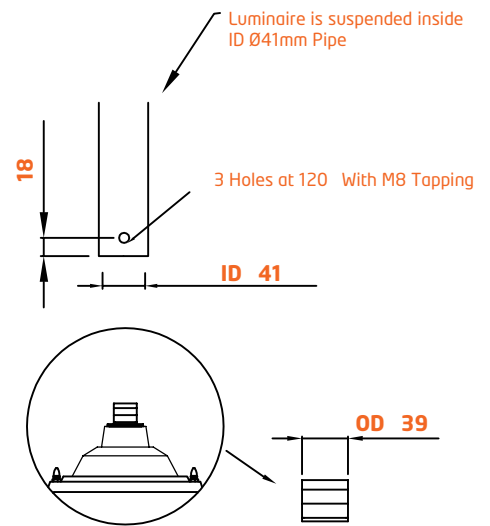
All dimensions are in mm

MOUNTING

Post Top Mounting



Drop Down Mounting



ORDERING DATA

Product Code	Product description	Wattage (W)	Standard CCT (K)	Mounting height (M)
OSL-CANPSPT036	CANOPUS LUMINAIRE PT 36W LED	36	5700K (+/-500K)	3m-5m
OSL-CANPSPT045	CANOPUS LUMINAIRE PT 45W LED	45	5700K (+/-500K)	3m-5m
OSL-CANPSPT060	CANOPUS LUMINAIRE PT 60W LED	60	5700K (+/-500K)	5m-7m
OSL-CANPSPT072	CANOPUS LUMINAIRE PT 72W LED	72	5700K (+/-500K)	5m-7m
OSL-CANPSPT090	CANOPUS LUMINAIRE PT 90W LED	90	5700K (+/-500K)	7m-9m
OSL-CANPSDD036	CANOPUS LUMINAIRE DD 36W LED	36	5700K (+/-500K)	3m-5m
OSL-CANPSDD045	CANOPUS LUMINAIRE DD 45W LED	45	5700K (+/-500K)	3m-5m
OSL-CANPSDD060	CANOPUS LUMINAIRE DD 60W LED	60	5700K (+/-500K)	5m-7m
OSL-CANPSDD072	CANOPUS LUMINAIRE DD 72W LED	72	5700K (+/-500K)	5m-7m
OSL-CANPSDD090	CANOPUS LUMINAIRE DD 90W LED	90	5700K (+/-500K)	7m-9m



LEOR



With its classical exterior, LEOR imbibes energy efficient LED system providing picturesque view of landscapes



LUMINAIRE CHARACTERISTICS

Optical Compartment Tightness Level	IP65
Ambient Temperature range	- 10° C to +40° C
Nominal Input Voltage Frequency	240V / 50Hz
Electrical Class	I
Power Consumption (Wattage) range	25W-45W
Luminaire efficacy (lumen/watt)	>=90 Lumen/watt*
Colour standard	Graphite Grey (other RAL colours available on request)

LED SOURCE CHARACTERISTICS

Correlated Colour Temperature (CCT)	5700K / 3000K 4000K (+/-500K)
Colour Rendering Index (CRI)	>80

POWER SUPPLY

Input voltage	AC 100-270V
Surge protection	4KV
Power Factor	>0.9
Driver efficiency	>85 %
THD	<15 %
External SPD	10KV

FEATURES

- The Luminaire gives antique look for urban landscapes
- It consists of cast aluminium designer housing with heat sink for effective heat management
- The luminaire emits a pleasant, glare-free light with its UV stabilized clear/opal optical grade PMMA/polycarbonate diffuser
- Power LEDs with efficiently designed optics to provide required light distribution

APPLICATIONS

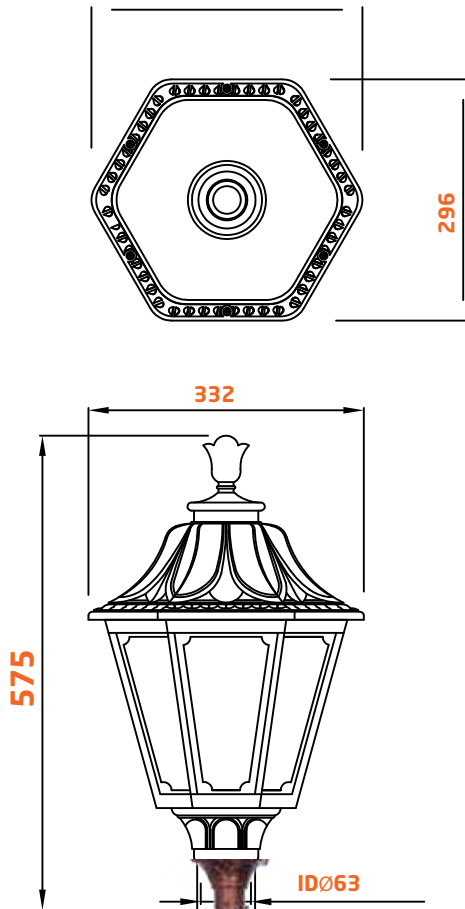
- Road/pathway Lighting
- Area Lighting
- Parks and Garden lighting
- Architectural spaces
- Residential/commercial streets

OPTIONAL FEATURES

- Road Lighting- IOT/dimming through remote management system to save power
- Any RAL colour on request
- Drop down mounting version also available



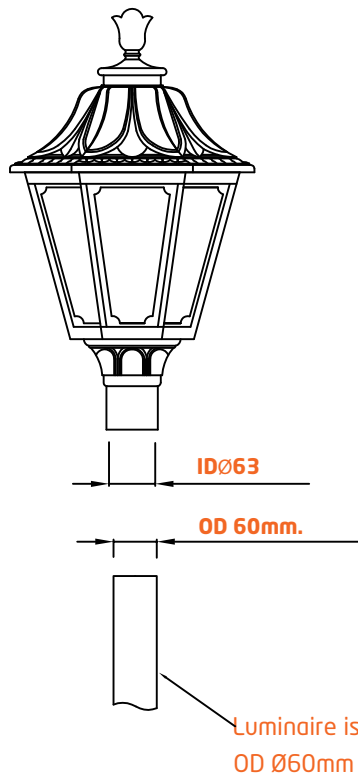
DIMENSIONS



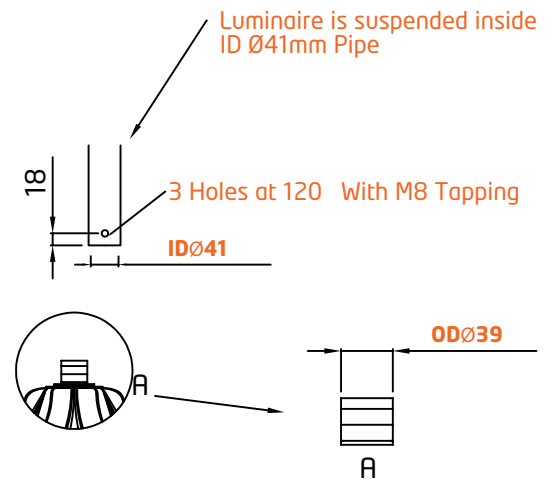
All dimensions are in mm

MOUNTING

Post Top Mounting

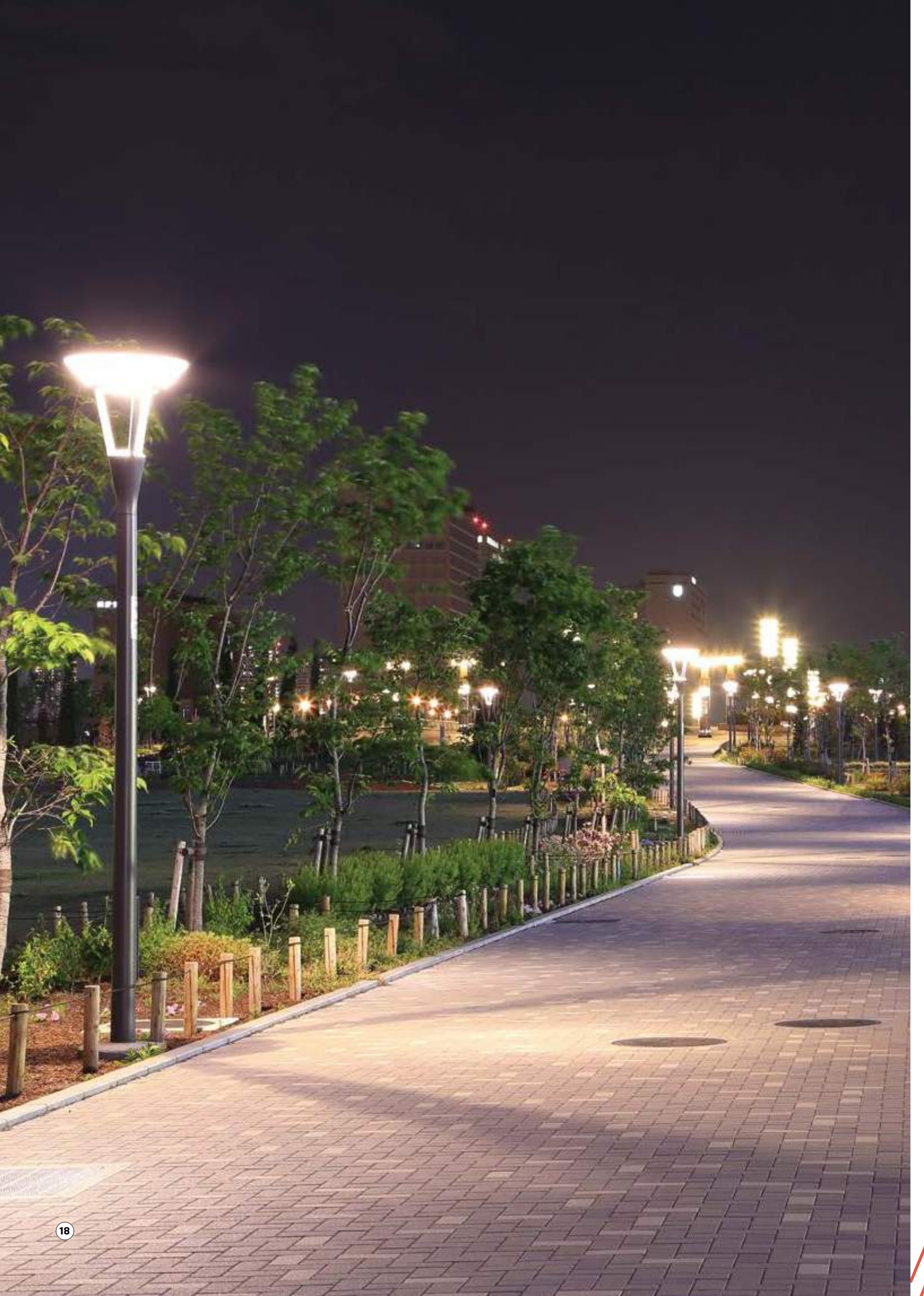


Drop Down Mounting



ORDERING DATA

Product Code	Product description	Wattage (W)	Standard CCT (K)	Mounting height (M)
OSL-LEORPT025W	LEOR LUMINAIRE PT 25W LED	25	3000K (+/-500K)	3m-5m
OSL-LEORPT036W	LEOR LUMINAIRE PT 36W LED	36	3000K (+/-500K)	3m-5m
OSL-LEORPT045W	LEOR LUMINAIRE PT 45W LED	45	3000K (+/-500K)	3m-5m
OSL-LEORDD025W	LEOR LUMINAIRE DD 25W LED	25	3000K (+/-500K)	3m-5m
OSL-LEORDD036W	LEOR LUMINAIRE DD 36W LED	36	3000K (+/-500K)	3m-5m
OSL-LEORDD045W	LEOR LUMINAIRE DD 45W LED	45	3000K (+/-500K)	3m-5m



MARFIC



Slender post top luminaire inspired to bring urban environment with sober indirect LED lighting



LUMINAIRE CHARACTERISTICS

Optical Compartment Tightness Level	IP65
Ambient Temperature range	- 10° C to +40° C
Nominal Input Voltage Frequency	240V/50Hz
Electrical Class	I
Power Consumption (Wattage) range	25W/40W
Colour standard	Graphite Grey (other RAL colours available on request)

FEATURES

- The Luminaire gives ornamental look for urban landscapes
- It is made of aluminium housing with clear toughened glass diffuser
- The Luminaire emits a pleasant, glare-free light
- Mid Power discreet LEDs with efficiently designed optics to provide symmetrical light distribution

LED SOURCE CHARACTERISTICS

Correlated Colour Temperature (CCT)	4000K (+/-500K)
LED	Mid Power LED
Colour Rendering Index (CRI)	>80

POWER SUPPLY

Input voltage	150-270V
Surge protection	4KV
Power Factor	>0.9
Driver efficiency	>85 %
THD	<15%
External SPD	10KV

APPLICATIONS

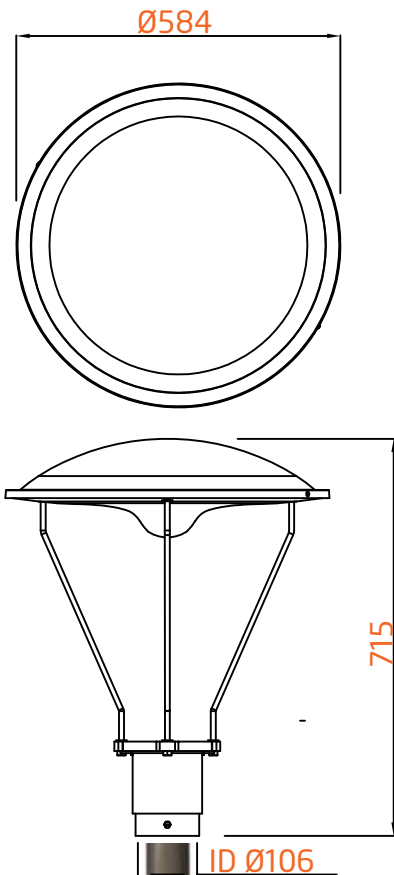
- Squares & Pathway Lighting
- Area Lighting
- Parks and Garden lighting
- Architectural spaces
- Residential/commercial street lighting

OPTIONAL FEATURES

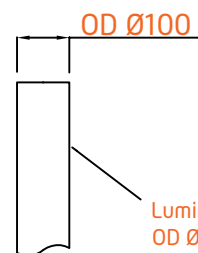
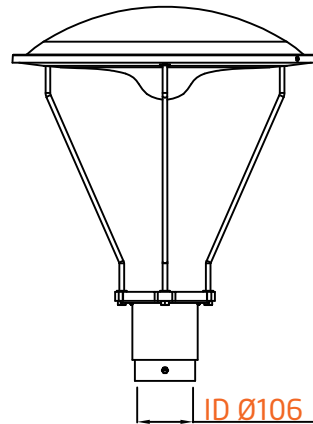
- Smart Control- IOT dimming through remote management system to save power
- Any RAL colour on request



DIMENSIONS



MOUNTING



All dimensions are in mm

ORDERING DATA

Product Code	Product description	Wattage (W)	Standard CCT (K)	Mounting height (M)
OSL-MARFICPT025W	MARFIC LUMINAIRE PT 25W LED	25	4000K	3m-5m
OSL-MARFICPT040W	MARFIC LUMINAIRE PT 40W LED	40	4000K	3m-5m



POLLUX



Traditional design with classy spherical diffuser of drop down light fixture gives soothing illumination for outdoor lighting applications



LUMINAIRE CHARACTERISTICS

Optical Compartment Tightness Level	IP65
Ambient Temperature range	- 10° C to +40° C
Nominal Input Voltage Frequency	240V/50Hz
Electrical Class	I
Power Consumption (Wattage) range	27W/36W/45W
Luminaire efficacy (lumen/watt)	80 Lumen/watt*
Colour standard	Grey (other RAL colours available on request)

LED SOURCE CHARACTERISTICS

Correlated Colour Temperature (CCT)	3000K/5700K (+/-500K)
Colour Rendering Index (CRI)	>80

POWER SUPPLY

Input voltage	100-270V
Surge protection	4KV
Power Factor	>0.9
Driver efficiency	>85 %
THD	<15%
External SPD	10KV

FEATURES

- The Luminaire gives ornamental look for urban landscapes
- It consists of Die cast aluminium housing specially profiled cooling fins for effective thermal management
- The Luminaire emits a pleasant, glare-free light. Its optical grade Opal Poly carbonate diffuser
- Mid Power LEDs with efficiently designed optics to provide required light distribution

APPLICATIONS

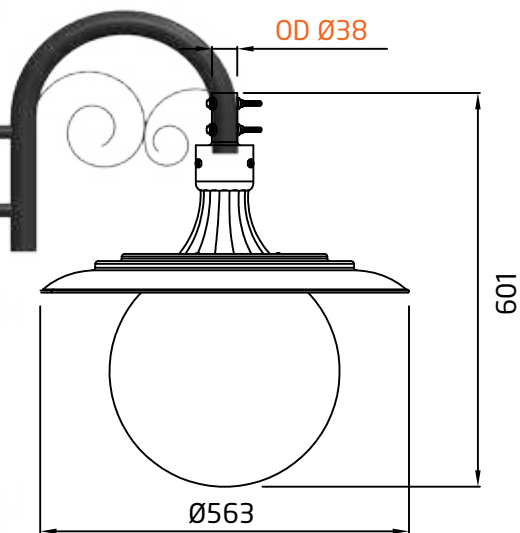
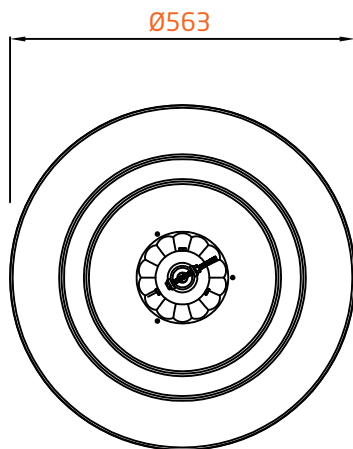
- Road Lighting
- Area Lighting
- Parks and Garden lighting
- Architectural spaces

OPTIONAL FEATURES

- Smart Control /dimming through remote management system to save power
- Any RAL colour on request

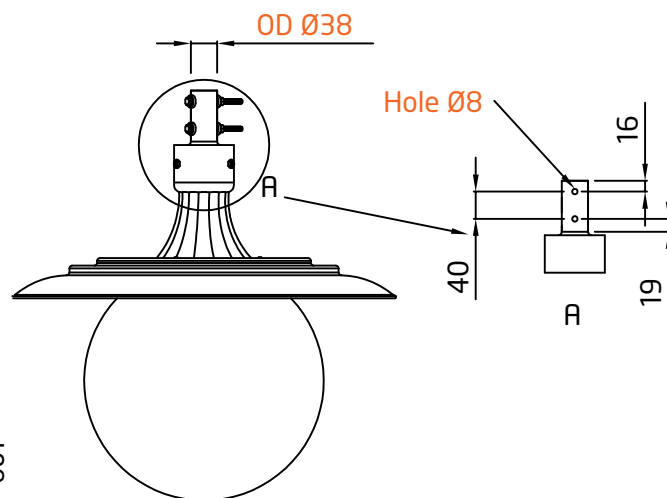
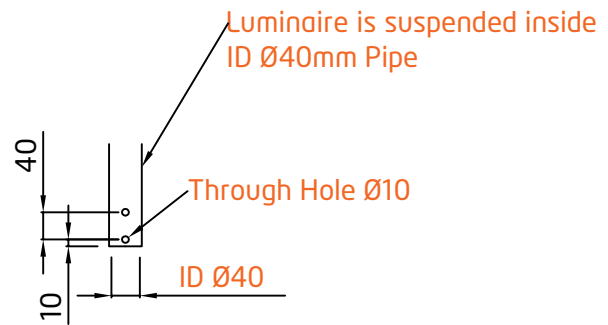


DIMENSIONS



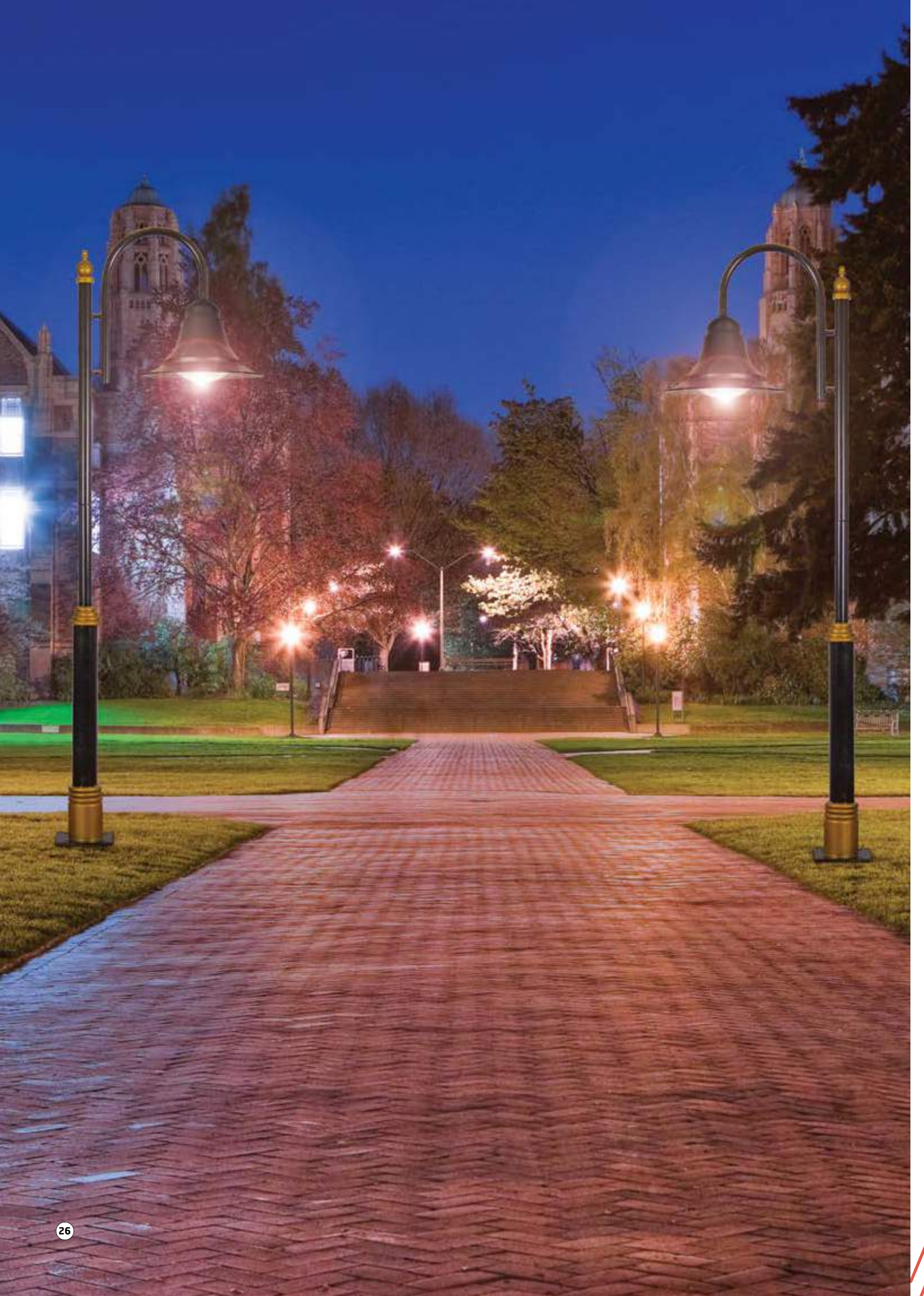
All dimensions are in mm

MOUNTING



ORDERING DATA

Product Code	Product description	Wattage (W)	Standard CCT (K)	Mounting height (M)
OSL-POLXDD027W	POLLUX LUMINAIRE DD 27W LED	27	5700K (+/-500K)	5m-7m
OSL-POLXDD036W	POLLUX LUMINAIRE DD 36W LED	36	5700K (+/-500K)	5m-7m
OSL-POLXDD045W	POLLUX LUMINAIRE DD 45W LED	45	5700K (+/-500K)	5m-7m



VEGA



Drop lantern provides antique appeal in urban street architecture with both functional and decorative appearance suitable for mid height poles



LUMINAIRE CHARACTERISTICS

Optical Compartment Tightness Level	IP65
Ambient Temperature range	- 10° C to +40° C
Nominal Input Voltage Frequency	240V/50Hz
Electrical Class	I
Power Consumption (Wattage) range	27W / 36W / 45W / 60W
Luminaire efficacy (lumen/watt)	>=100 Lumen/watt*
Colour standard	Grey (other RAL colours available on request)

LED SOURCE CHARACTERISTICS

Correlated Colour Temperature (CCT)	3000K/5700K (+/-500K)
Colour Rendering Index (CRI)	>80

POWER SUPPLY

Input voltage	150-270V
Surge protection	4KV
Power Factor	>0.9
Driver efficiency	>85 %
THD	<15%
External SPD	10KV

FEATURES

- The Luminaire gives ornamental look for urban landscapes
- It consists of aluminium housing with optical grade clear/opal PMMA diffuser
- The Luminaire emits a pleasant, glare-free light
- Power discreet LEDs with efficiently designed optics to provide required light distribution

APPLICATIONS

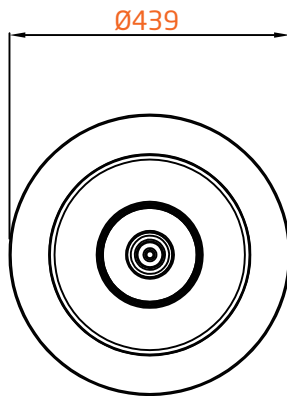
- Squares & Pathway Lighting
- Area Lighting
- Parks and Garden lighting
- Architectural spaces
- Residential/commercial street lighting

OPTIONAL FEATURES

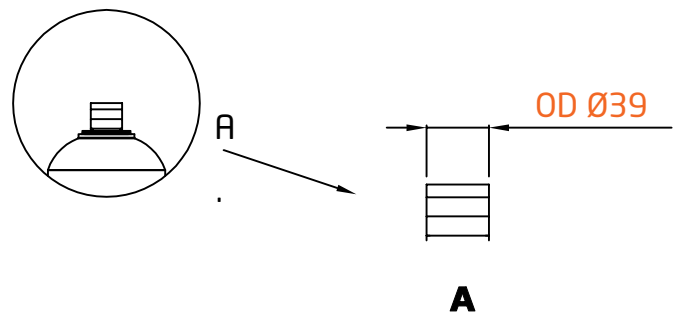
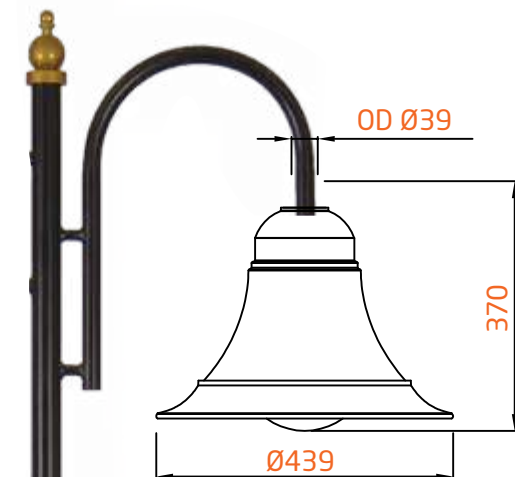
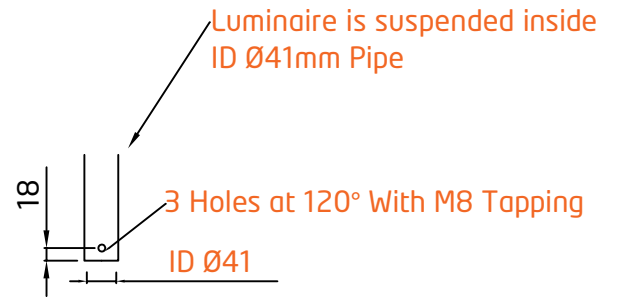
- Smart Control- IOT dimming through remote management system to save power
- Any RAL colour on request



DIMENSIONS



MOUNTING



All dimensions are in mm

ORDERING DATA

Product Code	Product description	Wattage (W)	Standard CCT (K)	Mounting height (M)
OSL-VEGADD027W0	Vega Luminaire DD Opal 27W LED	27	5700K (+/-500K)	3m-5m
OSL-VEGADD036W0	Vega Luminaire DD Opal 36W LED	36	5700K (+/-500K)	3m-5m
OSL-VEGADD045W0	Vega Luminaire DD Opal 45W LED	45	5700K (+/-500K)	3m-5m
OSL-VEGADD060W0	Vega Luminaire DD Opal 60W LED	60	5700K (+/-500K)	5m-7m
OSL-VEGADD027WC	Vega Luminaire DD Clear 27W LED	27	5700K (+/-500K)	3m-5m
OSL-VEGADD036WC	Vega Luminaire DD Clear 36W LED	36	5700K (+/-500K)	3m-5m
OSL-VEGADD045WC	Vega Luminaire DD Clear 45W LED	45	5700K (+/-500K)	3m-5m
OSL-VEGADD060WC	Vega Luminaire DD Clear 60W LED	60	5700K (+/-500K)	5m-7m



VOLANTIS



Contemporary post top lantern in harmony with street architecture with both functional and decorative appearance suitable for medium height poles



LUMINAIRE CHARACTERISTICS

Optical Compartment Tightness Level	IP65
Ambient Temperature range	- 10° C to +40° C
Nominal Input Voltage Frequency	240V/50Hz
Electrical Class	I
Power Consumption (Wattage) range	36W / 45W / 60W
Luminaire efficacy (lumen/watt)	>=80 Lumen/watt*
Colour standard	Grey (other RAL colours available on request)

LED SOURCE CHARACTERISTICS

Correlated Colour Temperature (CCT)	3000K/5700K (+/-500K)
Colour Rendering Index (CRI)	>80

POWER SUPPLY

Input voltage	150-270V
Surge protection	4KV
Power Factor	>0.9
Driver efficiency	>85 %
THD	<15%
External SPD	10KV

FEATURES

- The Luminaire gives ornamental look for urban landscapes
- It consists of aluminium housing with opal/clear injection moulded polycarbonate diffuser
- The Luminaire emits a pleasant, glare-free light
- Mid Power discreet LEDs with efficiently designed optics to provide symmetrical light distribution

APPLICATIONS

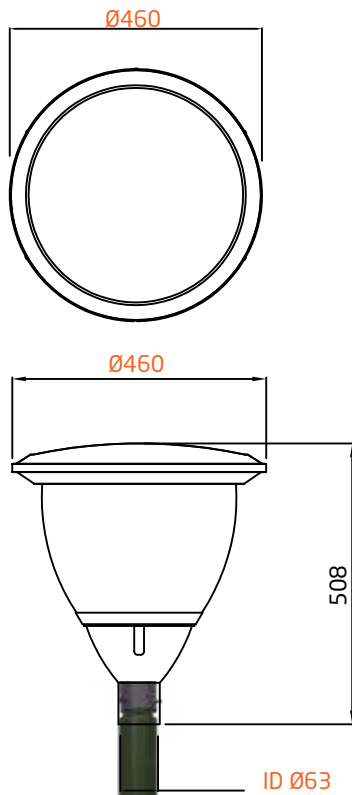
- Pathway Lighting
- Area Lighting
- Parks and Garden lighting
- Architectural spaces

OPTIONAL FEATURES

- Smart Control- IOT dimming through remote management system to save power
- Any RAL colour on request

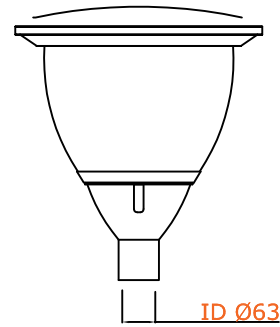


DIMENSIONS



All dimensions are in mm

MOUNTING



OD $\text{Ø}60$

Luminaire is Mounting On OD $\text{Ø}60\text{mm}$ Pipe

ORDERING DATA

Product Code	Product description	Wattage (W)	Standard CCT (K)	Mounting height (M)
OSL-VOLPT036W0	Volantis Luminaire PT 36W LED O	36	3000K (+/-500K)	3m-5m
OSL-VOLPT045W0	Volantis Luminaire PT 45W LED O	45	3000K (+/-500K)	3m-5m
OSL-VOLPT060W0	Volantis Luminaire PT 60W LED O	60	3000K (+/-500K)	5m-7m
OSL-VOLPT036WC	Volantis Luminaire PT 36W LED C	36	3000K (+/-500K)	3m-5m
OSL-VOLPT045WC	Volantis Luminaire PT 45W LED C	45	3000K (+/-500K)	3m-5m
OSL-VOLPT060WC	Volantis Luminaire PT 60W LED C	60	3000K (+/-500K)	5m-7m



CIRCLET



Circlet blends classic drop design with skilful optics providing style and elegance for outdoor setting



LUMINAIRE CHARACTERISTICS

Optical Compartment Tightness Level	IP65
Ambient Temperature range	- 10° C to +40° C
Nominal Input Voltage Frequency	240V/50Hz
Electrical Class	I
Power Consumption (Wattage) range	40W-120W
Luminaire efficacy (lumen/watt)	>=100 Lumen/watt*
Colour standard	Grey (other RAL colours available on request)

FEATURES

- The Luminaire gives ornamental look for urban landscapes
- It consists of Spun aluminium canopy housing with high pressure die cast aluminium base for effective heat management
- The luminaire emits a pleasant, glare-free light with its UV stabilised clear/opal optical grade PMMA/Poly carbonate diffuser
- Power LEDs with efficiently designed optics to provide required road lighting distribution

LED SOURCE CHARACTERISTICS

Correlated Colour Temperature (CCT)	3000K/5700K (+/-500K)
Colour Rendering Index (CRI)	>80

POWER SUPPLY

Input voltage	AC100-270V
Surge protection	4KV
Power Factor	>0.9
Driver efficiency	>85 %
THD	<15%
External SPD	10KV

APPLICATIONS

- Pathway Lighting
- Area Lighting
- Parks and Garden lighting
- Architectural spaces

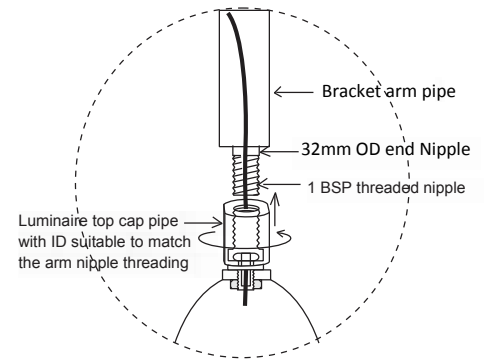
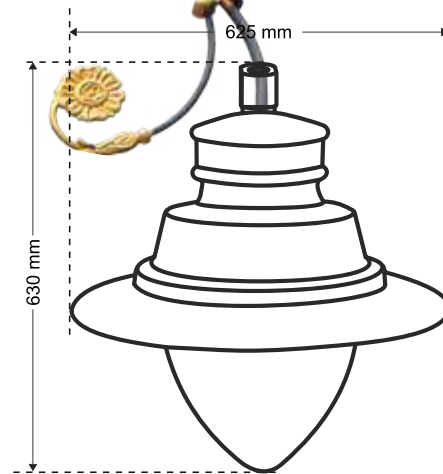
OPTIONAL FEATURES

- Smart Control dimming through remote management system to save power
- Any RAL colour on request
- Available in post top mounting option as well

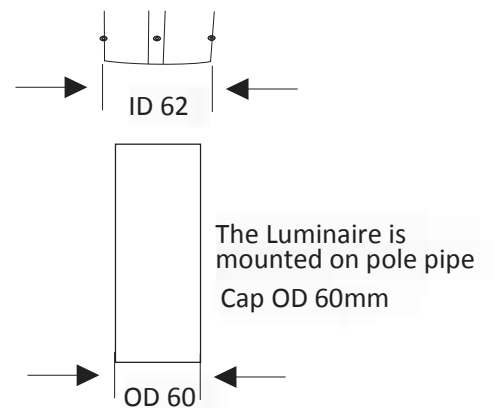
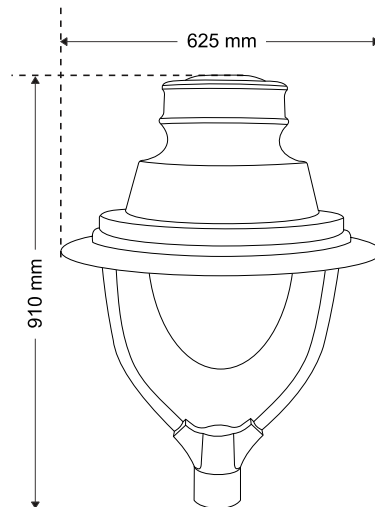


DIMENSIONS

MOUNTING



POST TOP OPTION



All dimensions are in mm

ORDERING DATA

Product Code	Product description	Wattage (W)	Standard CCT (K)	Mounting height (M)
OSL-CIRCDD040W	CIRLET LUMINAIRE DD 40W LED	40	5700K (+/-500K)	5m-7m
OSL-CIRCDD060W	CIRLET LUMINAIRE DD 60W LED	60	5700K (+/-500K)	5m-7m
OSL-CIRCDD075W	CIRLET LUMINAIRE DD 75W LED	75	5700K (+/-500K)	6m-8m
OSL-CIRCDD100W	CIRLET LUMINAIRE DD 100W LED	100	5700K (+/-500K)	7m-9m
OSL-CIRCDD120W	CIRLET LUMINAIRE DD 120W LED	120	5700K (+/-500K)	7m-9m
OSL-CIRCPT040W	CIRLET LUMINAIRE PT 40W LED	40	5700K (+/-500K)	5m-7m
OSL-CIRCPT060W	CIRLET LUMINAIRE PT 60W LED	60	5700K (+/-500K)	5m-7m
OSL-CIRCPT075W	CIRLET LUMINAIRE PT 75W LED	75	5700K (+/-500K)	6m-8m
OSL-CIRCPT100W	CIRLET LUMINAIRE PT 100W LED	100	5700K (+/-500K)	6m-8m
OSL-CIRCPT120W	CIRLET LUMINAIRE PT 120W LED	120	5700K (+/-500K)	6m-8m



COSMA



Victorian era Luminaire that dwells so well with vintage designer poles or wall brackets adding gothic cultural appeal to the street



LUMINAIRE CHARACTERISTICS

Optical Compartment Tightness Level	IP65
Ambient Temperature range	- 10° C to +40° C
Nominal Input Voltage Frequency	240V/50Hz
Electrical Class	I
Power Consumption (Wattage) range	30W/40W
Luminaire efficacy (lumen/watt)	>=90 Lumen/watt*
Colour standard	Grey(other RAL colours available on request)

FEATURES

- The Luminaire gives ornamental look for urban landscapes
- It consists of die cast aluminium housing with optical grade clear/frosted acrylic diffuser
- Efficient thermal management with aluminium heat sink on which the LED module is mounted
- The Luminaire emits a pleasant, glare-free light
- Power discreet LEDs with efficiently designed optics to provide required light distribution

LED SOURCE CHARACTERISTICS

Correlated Colour Temperature (CCT)	3000K/5700K (+/-500K)
Colour Rendering Index (CRI)	>80

POWER SUPPLY

Input voltage	150-270V
Surge protection	4KV
Power Factor	>0.9
Driver efficiency	>85 %
THD	<15%
External SPD	10KV

APPLICATIONS

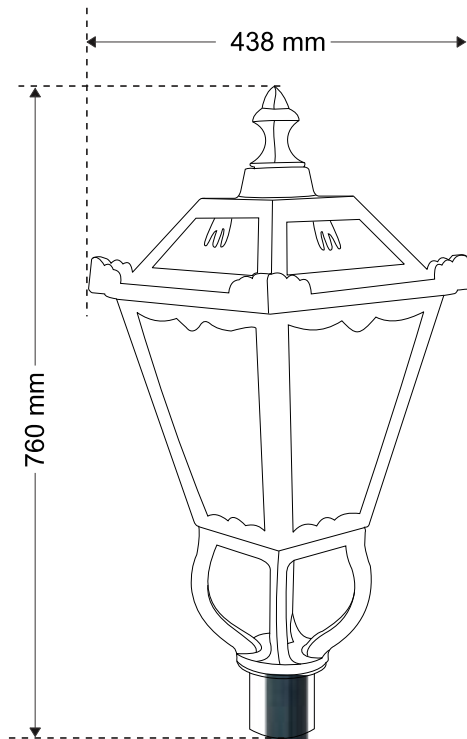
- Pathway Lighting
- Area Lighting
- Parks and Garden lighting
- Architectural spaces

OPTIONAL FEATURES

- Smart Control- IOT/dimming through remote management system to save power
- Any RAL color on request
- Drop down version also available

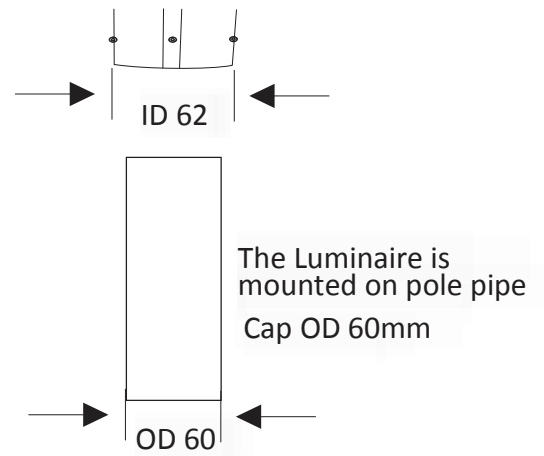


DIMENSIONS



All dimensions are in mm

MOUNTING



ORDERING DATA

Product Code	Product description	Wattage (W)	Standard CCT (K)	Mounting height (M)
OSL-COSPT30WF	COSMA LUMINAIRE PT 30W LED F	30	5700K (+/-500K)	3m-5m
OSL-COSPT40WF	COSMA LUMINAIRE PT 40W LED F	40	5700K (+/-500K)	3m-5m
OSL-COSPT30WC	COSMA LUMINAIRE PT 30W LED C	30	5700K (+/-500K)	3m-5m
OSL-COSPT40WC	COSMA LUMINAIRE PT 40W LED C	40	5700K (+/-500K)	3m-5m
OSL-COSDD30WF	COSMA LUMINAIRE DD 30W LED F	30	5700K (+/-500K)	3m-5m
OSL-COSDD40WF	COSMA LUMINAIRE DD 40W LED F	40	5700K (+/-500K)	3m-5m
OSL-COSDD30WC	COSMA LUMINAIRE DD 30W LED C	30	5700K (+/-500K)	3m-5m
OSL-COSDD40WC	COSMA LUMINAIRE DD 40W LED C	40	5700K (+/-500K)	3m-5m



FELIS



Antique die cast LED luminaire FELIS adds charm to any outdoor spaces or streets by perking up ambience of any simple looking place



LUMINAIRE CHARACTERISTICS

Optical Compartment Tightness Level	IP65
Ambient Temperature range	- 10° C to +40° C
Nominal Input Voltage Frequency	240V/50Hz
Electrical Class	I
Power Consumption (Wattage) range	40W / 60W / 75W / 100W
Luminaire efficacy (lumen/watt)	>=100 Lumen/watt*
Colour standard	Grey (other RAL colours available on request)

LED SOURCE CHARACTERISTICS

Correlated Colour Temperature (CCT)	3000K/5700K (+/-500K)
Colour Rendering Index (CRI)	>80

POWER SUPPLY

Input voltage	AC 100-270V
Surge protection	4KV
Power Factor	>0.9
Driver efficiency	>85 %
THD	<15 %
External SPD	10KV

FEATURES

- The Luminaire gives ornamental look for urban landscapes
- It consists of cast aluminium housing and effective thermal management with aluminium heat sink on which LED system is mounted
- The Luminaire emits a pleasant, glare-free light with its UV stabilised clear optical grade Poly carbonate diffuser
- Power LEDs with efficiently designed optics to provide required light distribution

APPLICATIONS

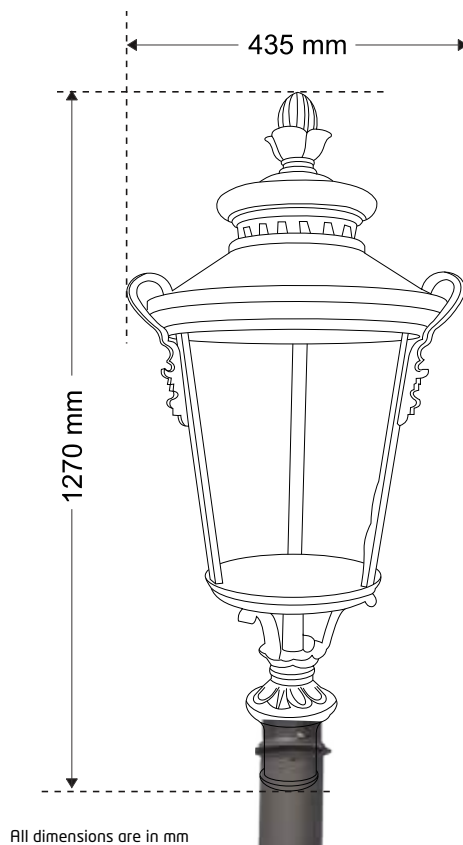
- Road Lighting
- Area Lighting
- Parks and Garden lighting
- Architectural spaces

OPTIONAL FEATURES

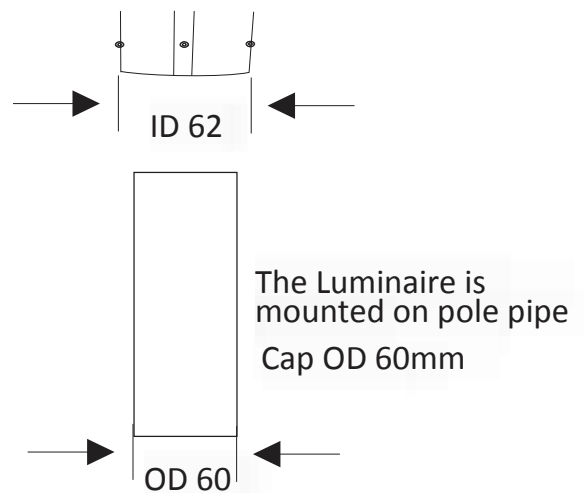
- Road Lighting- IOT/dimming through remote management system to save power
- Any RAL colour on request
- Drop down mounting version also available



DIMENSIONS

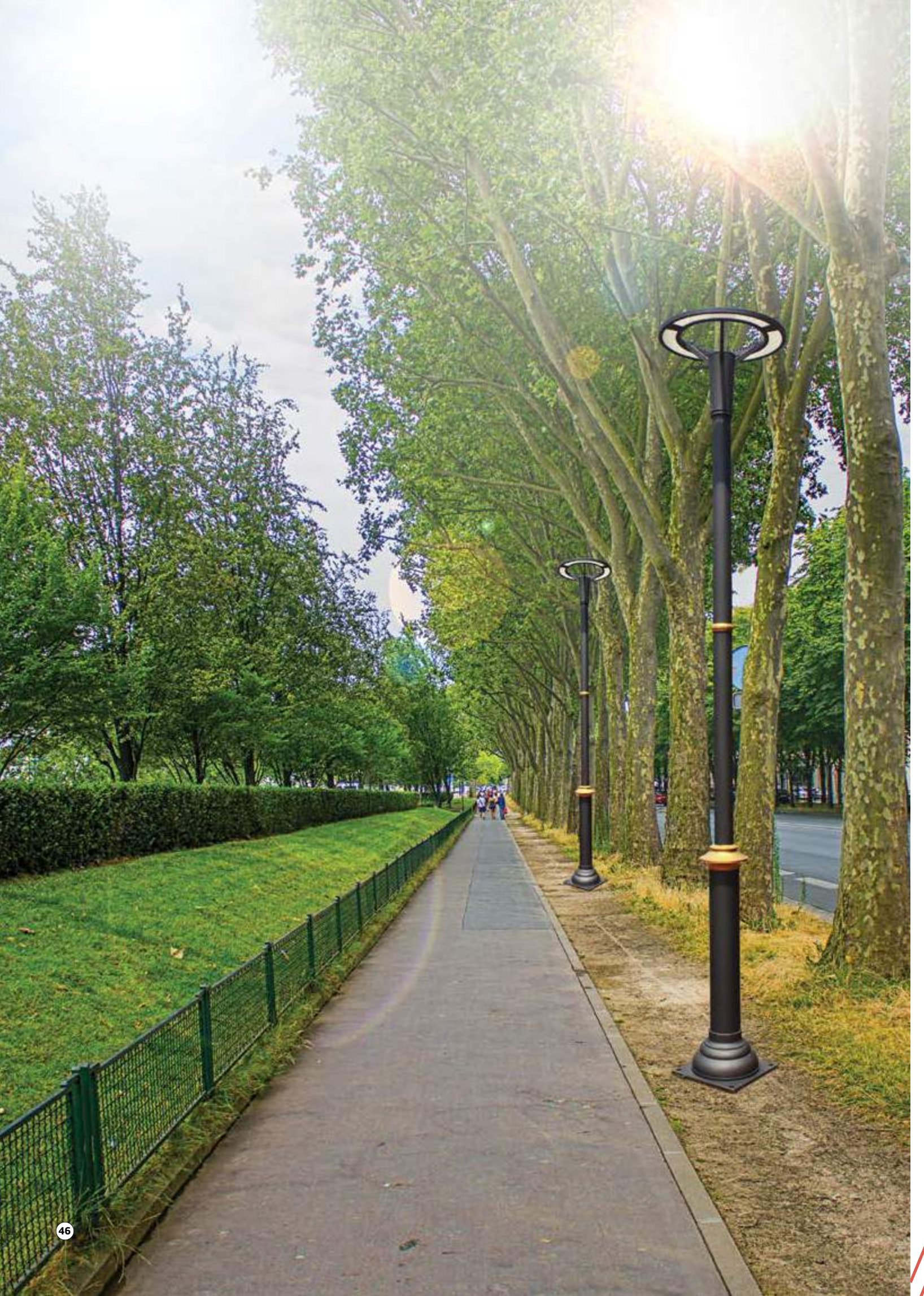


MOUNTING



ORDERING DATA

Product Code	Product description	Wattage (W)	Standard CCT (K)	Mounting height (M)
OSL-FELPT040W	FELIS LUMINAIRE PT 40W LED	40	5700K (+/-500K)	5m-7m
OSL-FELPT060W	FELIS LUMINAIRE PT 60W LED	60	5700K (+/-500K)	5m-7m
OSL-FELPT075W	FELIS LUMINAIRE PT 75W LED	75	5700K (+/-500K)	6m-8m
OSL-FELPT100W	FELIS LUMINAIRE PT 100W LED	100	5700K (+/-500K)	6m-8m



OBERON



This ring shaped urban post top LED fitting boasts pleasing light effect and enhance the sense of wellbeing in urban environments



LUMINAIRE CHARACTERISTICS

Optical Compartment Tightness Level	IP65
Ambient Temperature range	- 10° C to +40° C
Nominal Input Voltage Frequency	240V/50Hz
Electrical Class	I
Power Consumption (Wattage) range	40W / 60W
Luminaire efficacy (lumen/watt)	>=100 Lumen/watt*
Colour standard	Grey (other RAL colours available on request)

LED SOURCE CHARACTERISTICS

Correlated Colour Temperature (CCT)	3000K/4000K/5700K (+/-500K)
Colour Rendering Index (CRI)	>80

POWER SUPPLY

Input voltage	100-270V
Surge protection	4KV
Power Factor	>0.9
Driver efficiency	>85 %
THD	<15%
External SPD	10KV

FEATURES

- The Luminaire gives contemporary look for urban landscapes
- It consists of cast aluminium housing in ring shape with effective heat management
- The Luminaire emits a pleasant, glare-free light with its UV stabilised optical grade Poly carbonate diffuser
- Power LEDs with efficiently designed optics to provide required road lighting distribution pattern

APPLICATIONS

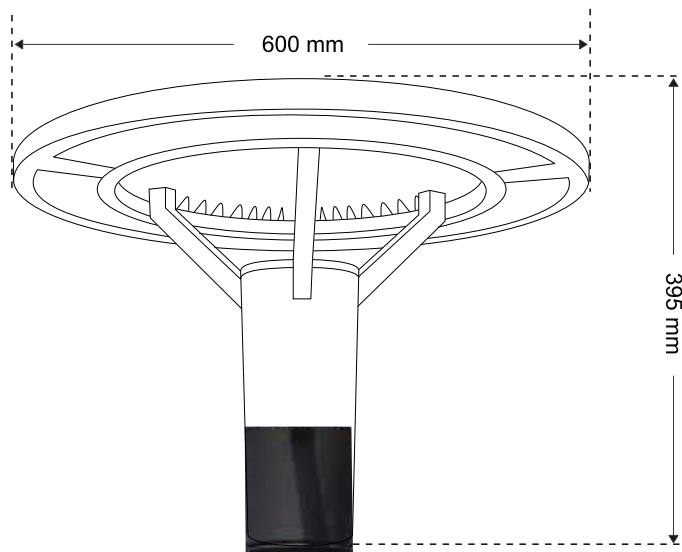
- Road Lighting
- Area Lighting
- Parks and Garden lighting
- Architectural spaces

OPTIONAL FEATURES

- Smart Control - IOT/dimming through remote management system to save power
- Any RAL colour on request

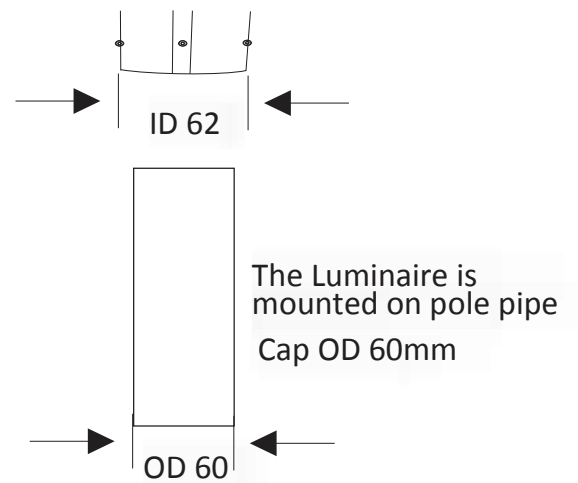


DIMENSIONS



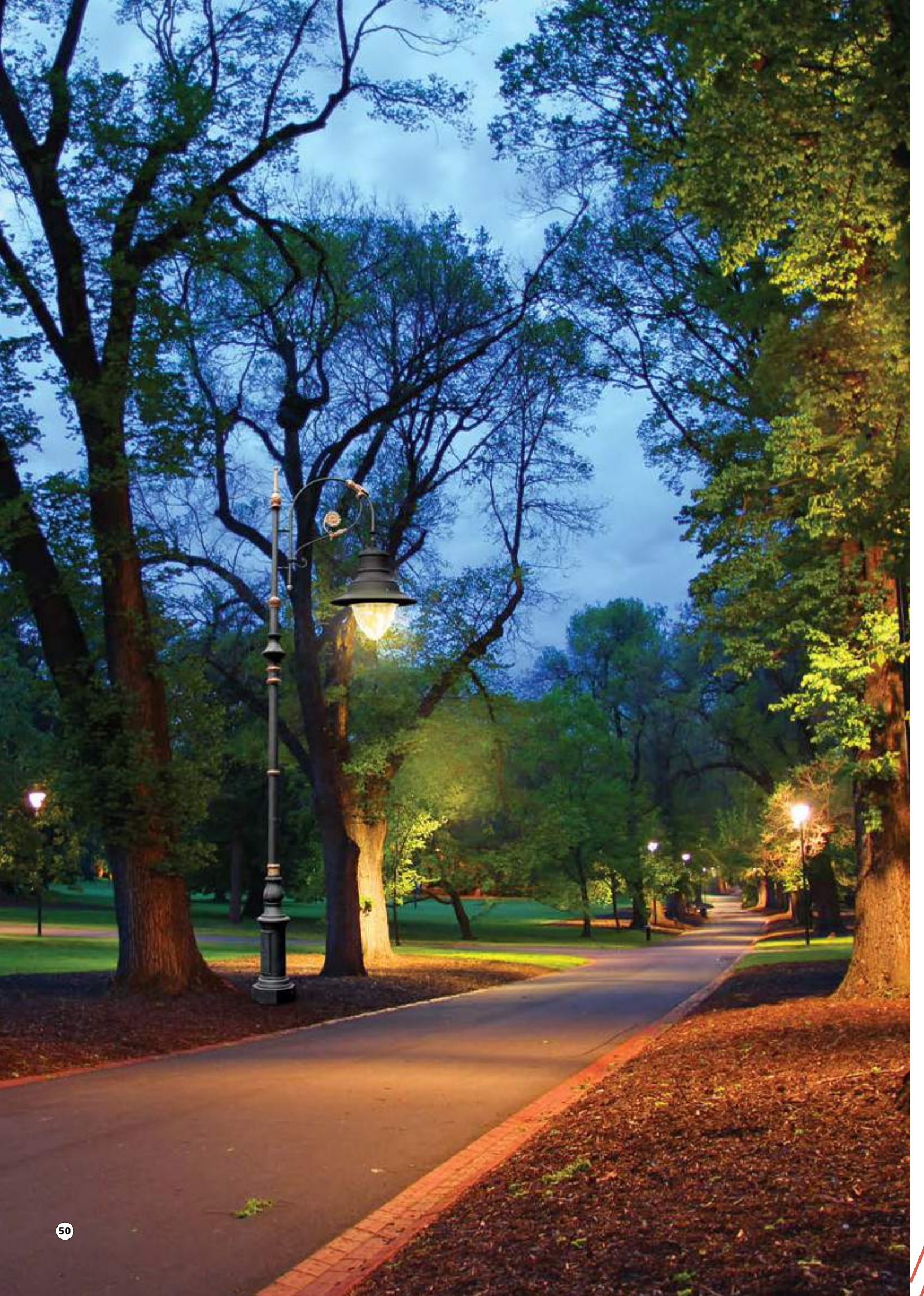
All dimensions are in mm

MOUNTING



ORDERING DATA

Product Code	Product description	Wattage (W)	Standard CCT (K)	Mounting height (M)
OSL-OBRNPT40W	OBERON LUMINAIRE PT 40W LED	40	5700K (+/-500K)	3m-5m
OSL-OBRNPT60W	OBERON LUMINAIRE PT 60W LED	60	5700K (+/-500K)	3m-5m



PICTOR



Another elegant shaped luminaire in drop down pendant LED fitting category is the right choice for historical landscapes, decorative road lighting



LUMINAIRE CHARACTERISTICS

Optical Compartment Tightness Level	IP65
Ambient Temperature range	- 10° C to +40° C
Nominal Input Voltage Frequency	240V/50Hz
Electrical Class	I
Power Consumption (Wattage) range	40W-120W
Luminaire efficacy (lumen/watt)	>=100 Lumen/watt*
Colour standard	Grey (other RAL colours available on request)

LED SOURCE CHARACTERISTICS

Correlated Colour Temperature (CCT)	3000K/4000K/5700K (+/-500K)
Colour Rendering Index (CRI)	>80

POWER SUPPLY

Input voltage	AC 100-270V
Surge protection	4KV
Power Factor	>0.9
Driver efficiency	>85 %
THD	<15%
External SPD	10KV

FEATURES

- The Luminaire gives ornamental look for urban landscapes
- It consists of Spun aluminium canopy housing with cast aluminium base and effective thermal management with heat sink on which LED system is mounted
- The Luminaire emits a pleasant, glare-free light with its UV stabilised clear optical grade PMMA/Poly carbonate diffuser
- Power LEDs with efficiently designed optics to provide required light distribution

APPLICATIONS

- Road Lighting
- Area Lighting
- Parks and Garden lighting
- Architectural spaces

OPTIONAL FEATURES

- Road Lighting - IOT/dimming through remote management system to save power
- Any RAL colour on request
- Post top version also available



DIMENSIONS

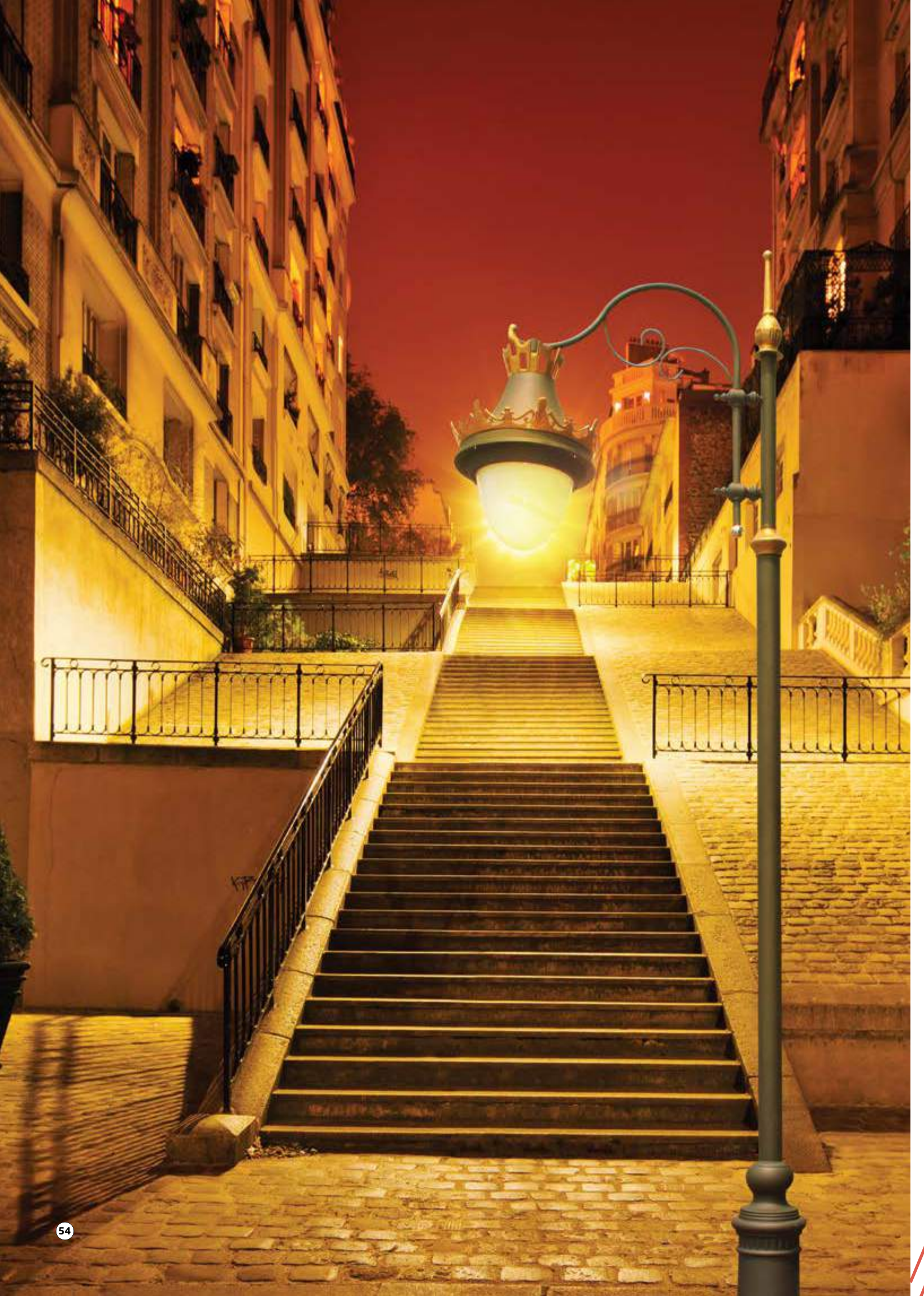
MOUNTING



All dimensions are in mm

ORDERING DATA

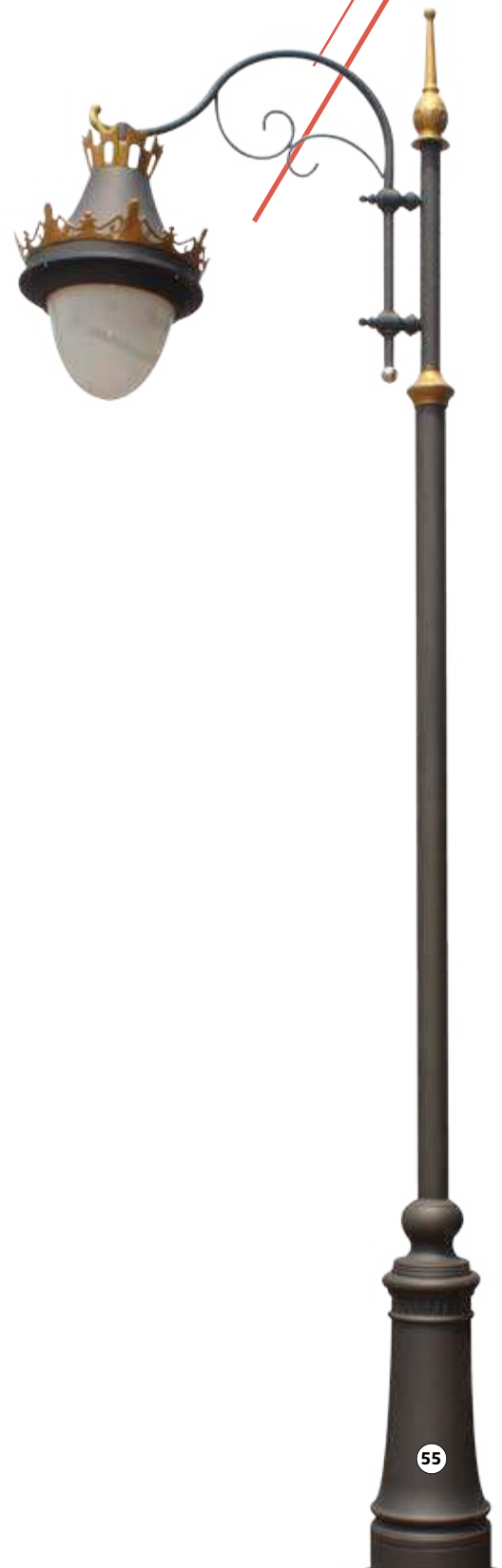
Product Code	Product description	Wattage (W)	Standard CCT (K)	Mounting height (M)
OSL-PICTDD040W	PICTOR LUMINAIRE DD 40W LED	40	5700K (+/-500K)	5m-7m
OSL-PICTDD060W	PICTOR LUMINAIRE DD 60W LED	60	5700K (+/-500K)	5m-7m
OSL-PICTDD075W	PICTOR LUMINAIRE DD 75W LED	75	5700K (+/-500K)	6m-8m
OSL-PICTDD100W	PICTOR LUMINAIRE DD 100W LED	100	5700K (+/-500K)	7m-9m
OSL-PICTDD120W	PICTOR LUMINAIRE DD 120W LED	120	5700K (+/-500K)	7m-9m



TIARA



This Luminaire depicts ornamental character with its Tiara, the crown. The aptly crafted luminaire blends with embellishing theme of any outdoor space



LUMINAIRE CHARACTERISTICS

Optical Compartment Tightness Level	IP65
Ambient Temperature range	- 10° C to +40° C
Nominal Input Voltage Frequency	240V/50Hz
Electrical Class	I
Power Consumption (Wattage) range	40W / 60W / 75W / 100W
Luminaire efficacy (lumen/watt)	>=100 Lumen/watt*
Colour standard	Grey (other RAL colours available on request)

FEATURES

- The Luminaire gives ornamental look for urban landscapes
- It consists of Spun aluminium canopy with die cast aluminium base housing & heat sink for effective heat management
- The Luminaire emits a pleasant, glare-free light with its UV stabilised clear/opal optical grade Poly carbonate diffuser
- High Power LEDs with efficiently designed optics to provide required road lighting distribution pattern

LED SOURCE CHARACTERISTICS

Correlated Colour Temperature (CCT)	3000K/4000K/5700K (+/-500K)
Colour Rendering Index (CRI)	>80

POWER SUPPLY

Input voltage	AC100-270V
Surge protection	4KV
Power Factor	>0.9
Driver efficiency	>85 %
THD	<15%
External SPD	10KV

APPLICATIONS

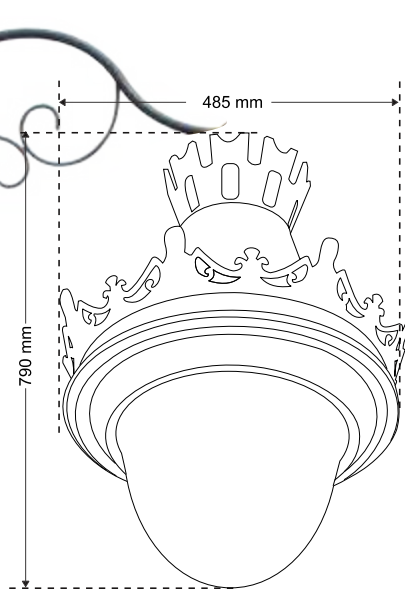
- Road Lighting
- Area Lighting
- Parks and Garden lighting
- Architectural spaces

OPTIONAL FEATURES

- Smart Control/dimming through remote management system to save power
- Any RAL colour on request

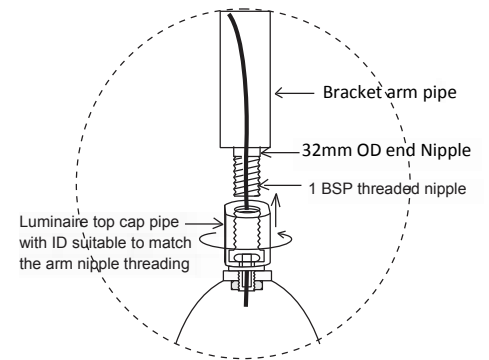


DIMENSIONS



All dimensions are in mm

MOUNTING



ORDERING DATA

Product Code	Product description	Wattage (W)	Standard CCT (K)	Mounting height (M)
OSL-TIADD040W	TIARA LUMINAIRE DD 40W LED	40	5700K (+/-500K)	5m-7m
OSL-TIADD060W	TIARA LUMINAIRE DD 60W LED	60	5700K (+/-500K)	5m-7m
OSL-TIADD075W	TIARA LUMINAIRE DD 75W LED	75	5700K (+/-500K)	6m-8m
OSL-TIADD0100W	TIARA LUMINAIRE DD 100W LED	100	5700K (+/-500K)	7m-9m



TOLEMY



The Luminaire is characterised by aesthetic coherence and lighting magnificence suitable for medium height column lighting



LUMINAIRE CHARACTERISTICS

Optical Compartment Tightness Level	IP65
Ambient Temperature range	- 10°C to +40°C
Nominal Input Voltage Frequency	240V/ 50Hz
Electrical Class	I
Power Consumption (Wattage) range	30W / 50W / 75W
Luminaire efficacy (lumen watt)	>90 Lumen/watt*
Colour standard	Grey (other RAL colours available on request)

FEATURES

- The Luminaire gives ornamental look for urban landscapes
- It is made of spun aluminium canopy and die-cast aluminium housing and has effective thermal management with heat sink on which LED system is mounted
- The Luminaire emits a pleasant, glare-free light with its UV stabilised optical grade Poly Carbonate diffuser
- Power LEDs with efficiently designed optics to provide required light distribution

LED SOURCE CHARACTERISTICS

Correlated Colour Temperature (CCT)	3000K/4000K/5700K (+/-500K)
Colour Rendering Index (CRI)	>80

POWER SUPPLY

Input voltage	150-270V
Surge protection	4KV
Power Factor	>0.9
Driver efficiency	>85 %
THD	<15%
External SPD	10KV

APPLICATIONS

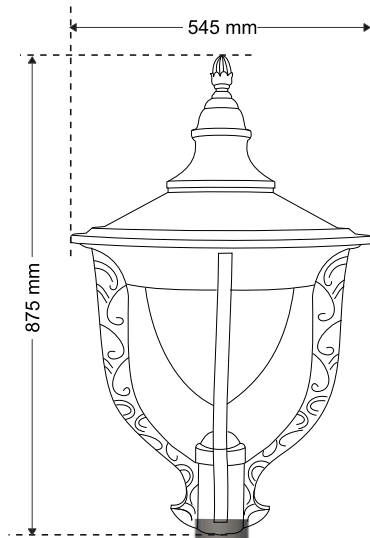
- Road Lighting
- Area Lighting
- Parks and Garden lighting
- Architectural spaces

OPTIONAL FEATURES

- Smart Control- IOT/dimming through remote management system to save power
- Any RAL colour on request

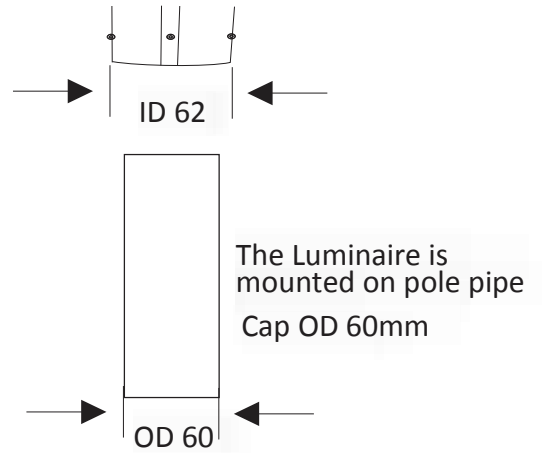


DIMENSIONS



All dimensions are in mm

MOUNTING



ORDERING DATA

Product Code	Product description	Wattage (W)	Standard CCT (K)	Mounting height (M)
OSL-TOLPT040W	TOLEMY LUMINAIRE PT 40W LED	40	5700K (+/-500K)	3m-5m
OSL-TOLPT060W	TOLEMY LUMINAIRE PT 60W LED	60	5700K (+/-500K)	3m-5m
OSL-TOLPT075W	TOLEMY LUMINAIRE PT 75W LED	75	5700K (+/-500K)	5m-7m



ZIBAL



Simple and comfortable suspended LED Luminaire that blends well with any designer bracket for different applications in urban lighting environment



LUMINAIRE CHARACTERISTICS

Optical Compartment Tightness Level	IP65
Ambient Temperature range	- 10°C to +40°C
Nominal Input Voltage/Frequency	240V/ 50Hz
Electrical Class	I
Power Consumption (Wattage) range	40W /60W/75W/100W
Luminaire efficacy (lumen/watt)	>90 Lumen/watt*
Colour standard	Grey (other RAL colours available on request)

FEATURES

- The Luminaire gives ornamental look for urban landscapes
- It consists of die cast aluminium housing and effective thermal management with aluminium heat sink on which LED system is mounted
- The Luminaire emits a pleasant, glare-free light with its UV stabilised optical grade Poly carbonate diffuser
- Power LEDs with efficiently designed optics to provide required light distribution

LED SOURCE CHARACTERISTICS

Correlated Colour Temperature (CCT)	5700K /3000K /4000K(+/- 500K)
Colour Rendering Index (CRI)	>80

POWER SUPPLY

Input voltage	AC 100-270V
Surge protection	4KV
Power Factor	>0.9
Driver efficiency	>85 %
THD	<15 %
External SPD	10KV

APPLICATIONS

- Road Lighting
- Area Lighting
- Parks and Garden lighting
- Architectural spaces

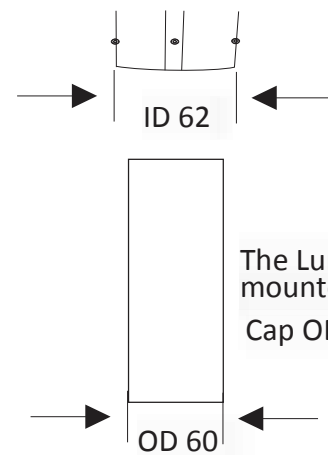
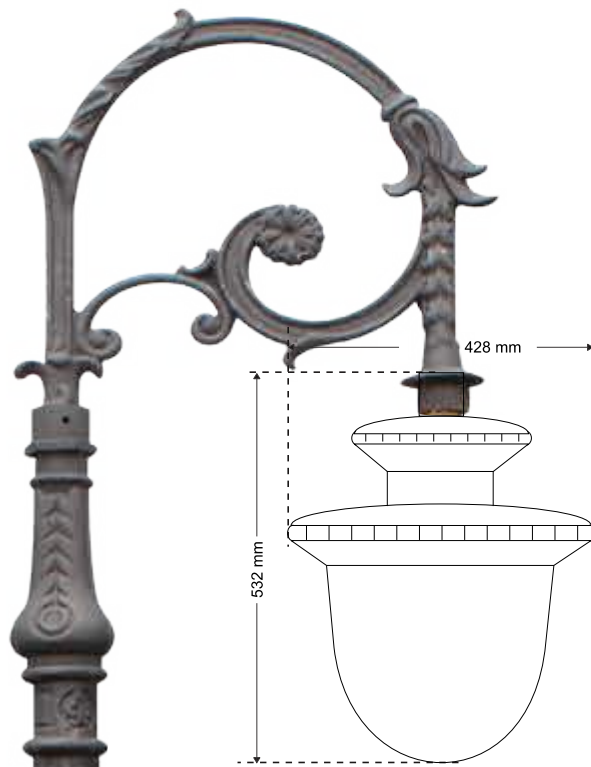
OPTIONAL FEATURES

- Road Lighting- IOT/dimming through remote management system to save power
- Any RAL colour on request



DIMENSIONS

MOUNTING

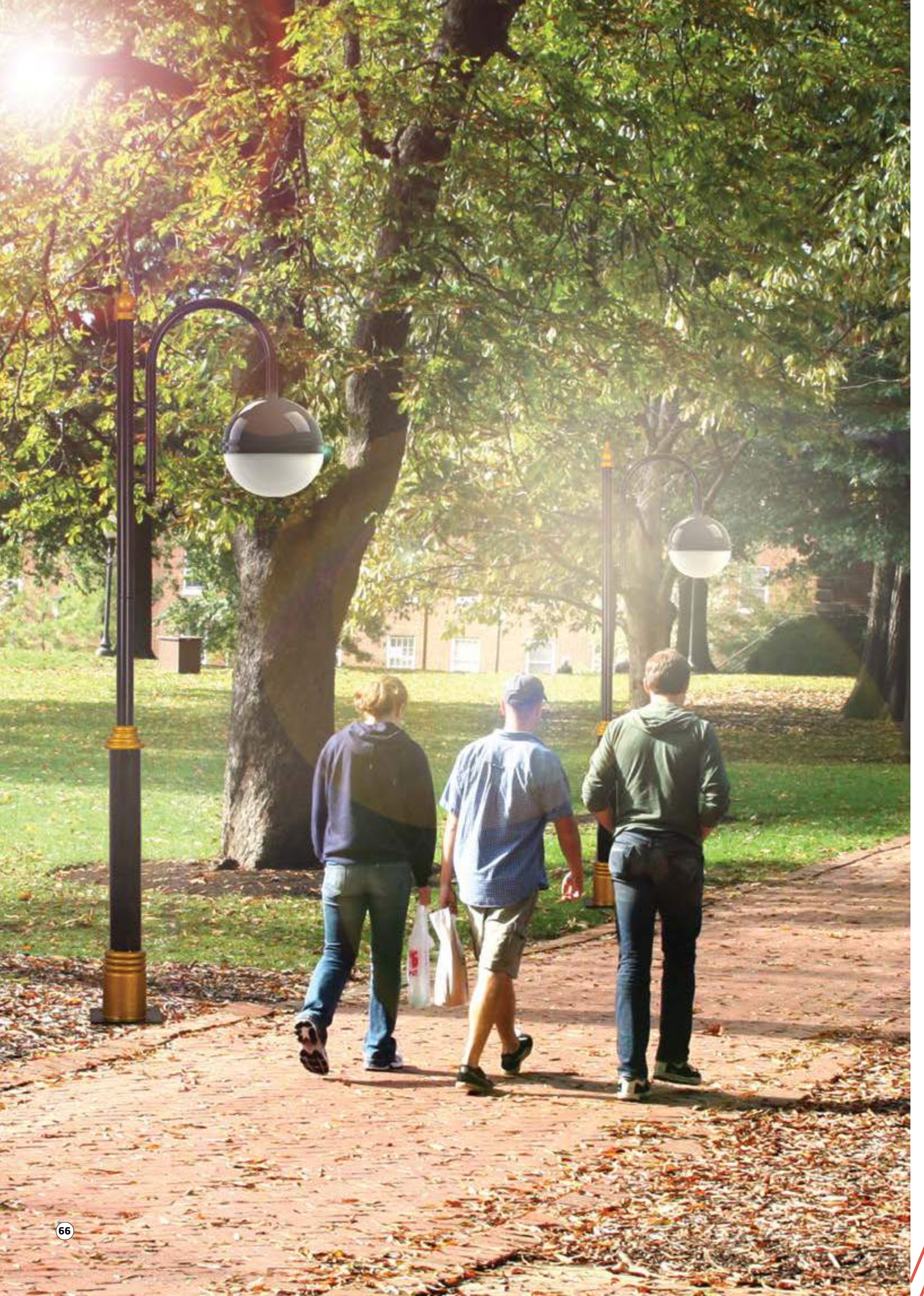


The Luminaire is mounted on pole pipe
Cap OD 60mm

All dimensions are in mm

ORDERING DATA

Product Code	Product description	Wattage (W)	Standard CCT (K)	Mounting height (M)
OSL-ZIBPT040W	ZIBAL LUMINAIRE PT 40W LED	40	5700K (+/-500K)	5m-7m
OSL-ZIBPT060W	ZIBAL LUMINAIRE PT 60W LED	60	5700K (+/-500K)	5m-7m
OSL-ZIBPT075W	ZIBAL LUMINAIRE PT 75W LED	75	5700K (+/-500K)	6m-8m
OSL-ZIBPT100W	ZIBAL LUMINAIRE PT 100W LED	100	5700K (+/-500K)	6m-8m



MALLOW



An elegant and quality lighting product designed to add high aesthetic value with contemporary as well as vintage appeal



LUMINAIRE CHARACTERISTICS

Optical Compartment Tightness Level	IP65
Ambient Temperature range	- 10° C to +40° C
Nominal Input Voltage Frequency	240V / 50Hz
Electrical Class	I
Power Consumption (Wattage) range	36W / 45W / 60W / 72W / 90W / 120W
Luminaire efficacy (lumen/watt)	>=100 Lumen/watt*
Colour standard	Graphite Grey (other RAL colours available on request)

LED SOURCE CHARACTERISTICS

Correlated Colour Temperature (CCT)	5700K / 3000K 4000K (+/-500K)
Colour Rendering Index (CRI)	>80

POWER SUPPLY

Input voltage	150-270V
Surge protection	4KV
Power Factor	>0.9
Driver efficiency	>85 %
THD	<15%
External SPD	10KV

FEATURES

- The luminaire gives ornamental look for urban landscapes
- It consists of powder coated spun aluminium canopy housing with high pressure die cast aluminium body for effective heat management
- The luminaire emits a pleasant, glare-free light with its UV stabilised clear/opal optical grade PMMA diffuser
- High power discreet LEDs with efficiently designed optics to provide required light distribution

APPLICATIONS

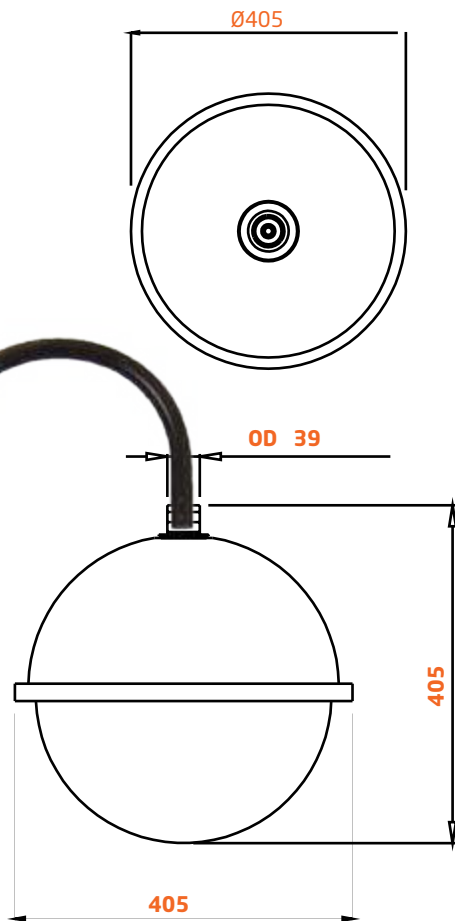
- Road Lighting
- Area Lighting
- Parks and Garden lighting
- Architectural spaces

OPTIONAL FEATURES

- Road Lighting- IOT/dimming through remote management system to save power
- Any RAL colour on request

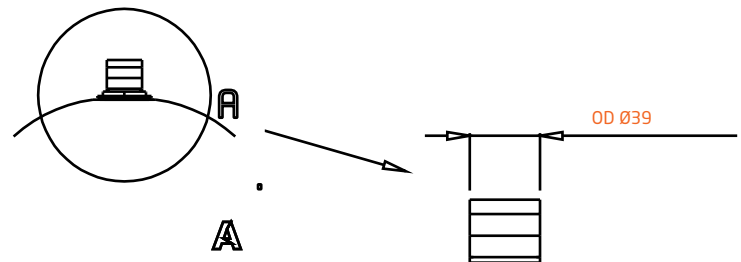
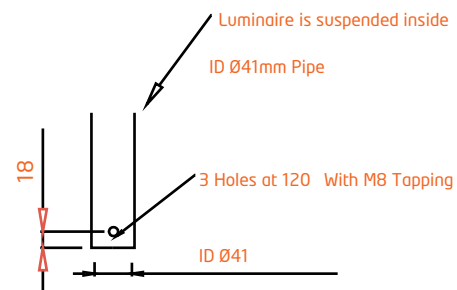


DIMENSIONS



All dimensions are in mm

MOUNTING

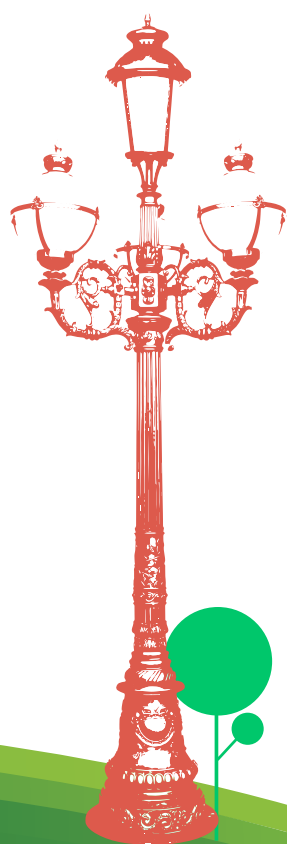


ORDERING DATA

Product Code	Product description	Wattage (w)	Standard CCT (K)	Mounting height (M)
OSL-MALLOW036W	Mallow Luminaire DD 36W LED	36	5700K (+/-500K)	5m-7m
OSL-MALLOW045W	Mallow Luminaire DD 45W LED	45	5700K (+/-500K)	5m-7m
OSL-MALLOW060W	Mallow Luminaire DD 60W LED	60	5700K (+/-500K)	5m-7m
OSL-MALLOW072W	Mallow Luminaire DD 72W LED	72	5700K (+/-500K)	7m-9m
OSL-MALLOW090W	Mallow Luminaire DD 90W LED	90	5700K (+/-500K)	7m-9m
OSL-MALLOW120W	Mallow Luminaire DD 120W LED	120	5700K (+/-500K)	7m-9m



POLES





Full Casting Poles

Sculptured complete Cast iron
/Cast Aluminium designer
poles with bracket arms
giving a traditional appeal to
urban street lighting architec-
ture

FEATURES

- Pole Base: Designer Cast Iron/Aluminium base with suitable base plate to mount on foundation block with nuts and J type bolts
- Pole Shaft: Cast Aluminium/Cast Iron sections
- Bracket Arm: Designer cast iron/aluminium to hold drop down/post top Luminaires
- Pre-treatment: Each and every cast piece is pre-treated to remove all its external dirt and residues etc
- Finish: Durable UV Resistant Poly Urethane (P.U) paint available in range of many RAL Colors. The pole surface shall also be pre-treated before painting
- Service Window: A suitable service window shall be provided at the bottom of pole to allow access to electrical connections and terminations

ADVANTAGES

- Vintage appeal in Urban landscapes
- Customisable colour and heights
- Multiple designer bracket arm options
- Durable, long life and great finish
- Cast Iron parts are more corrosion resistant in comparison with steel

APPLICATIONS

- Road/Pathway lighting
- Garden lighting
- Roundabouts and architectural spaces
- Residential/Institutional campuses
- Heritage/Monumental sites





WYMIARCTWO
KALIBRONE

LOGOS



BOSCO

Bracket Arms

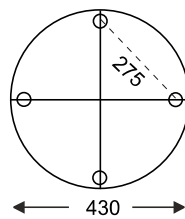
Any design of bracket arm can be used. For more designs please visit bracket arms section

Suitable Luminaires

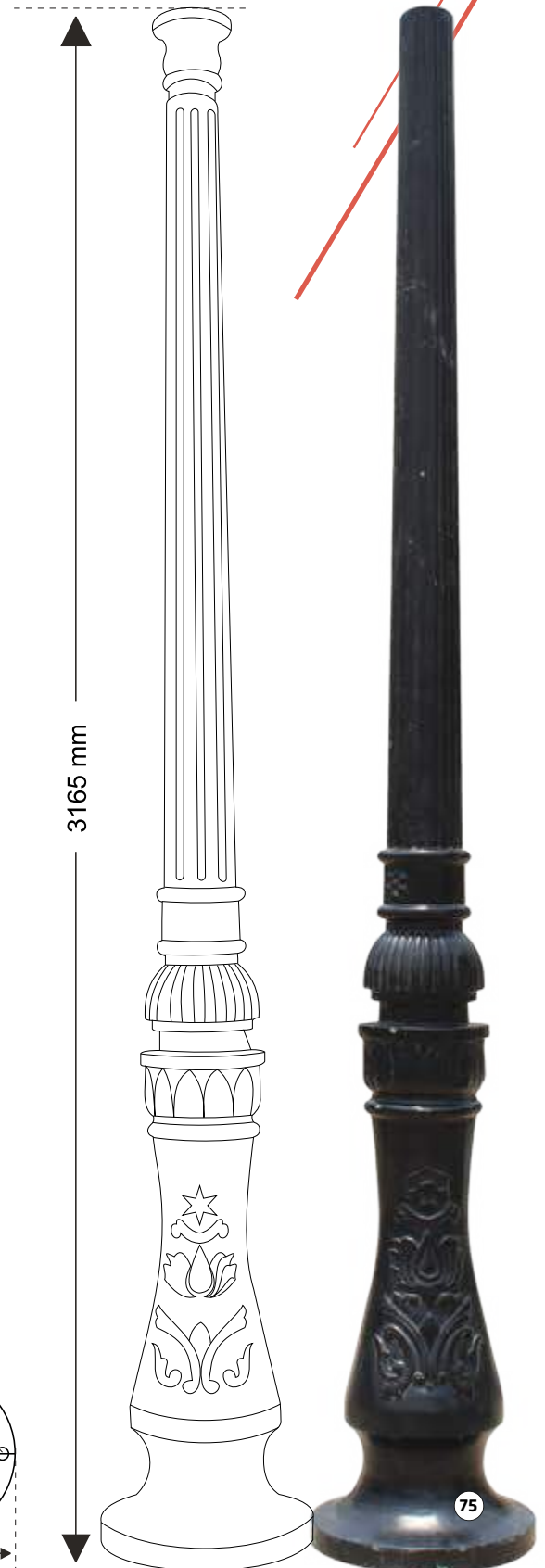
All post top Luminaires and all drop down Luminaires along with a bracket arm depending upon required wattage for 3M height

Available Heights

3.1M



3165 mm





CLEO

Bracket Arms

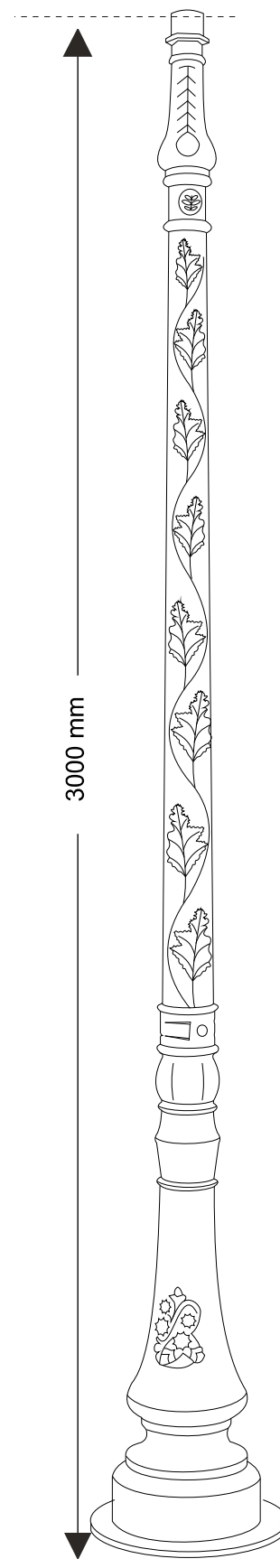
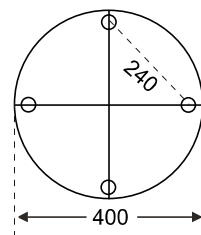
Any design of bracket arm can be used. For more designs please visit bracket arms section

Suitable Luminaires

All post top Luminaires and all drop down Luminaires along with a bracket arm depending upon required wattage for 3M/4M height

Available Heights

3M/4M





PALESTRINA
DI CARRA
DE BICCIONE

HEMLOCK

Bracket Arms

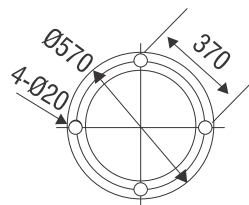
Any design of bracket arm can be used. For more designs please visit bracket arms section

Suitable Luminaires

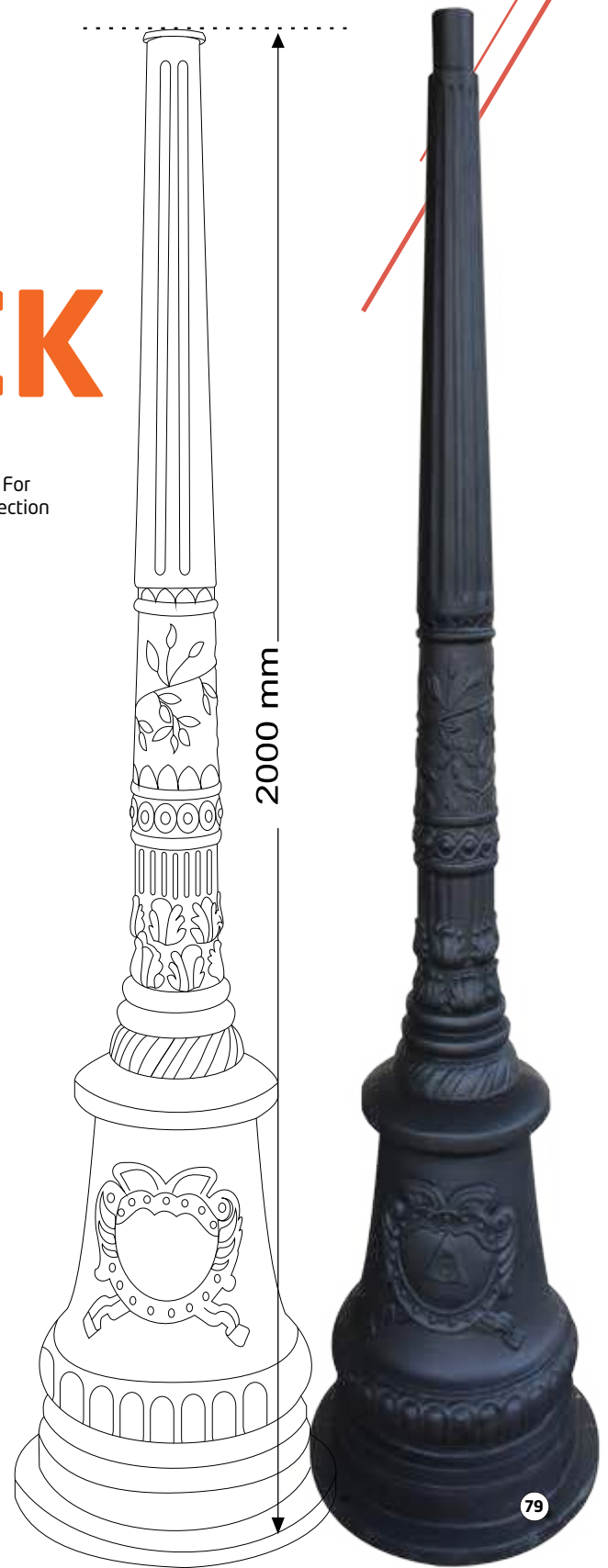
All post top Luminaires in required wattage

Available Heights

2M



MOUNTING BASE





LUCAS

Bracket Arms

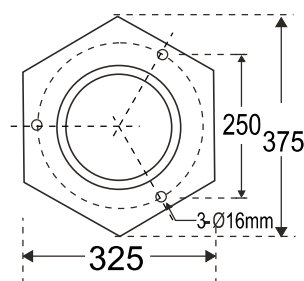
Any design of bracket arm can be used. For more designs please visit bracket arms section

Suitable Luminaires

All post top Luminaires and all drop down Luminaires along with a bracket arm depending upon required wattage for 3m height

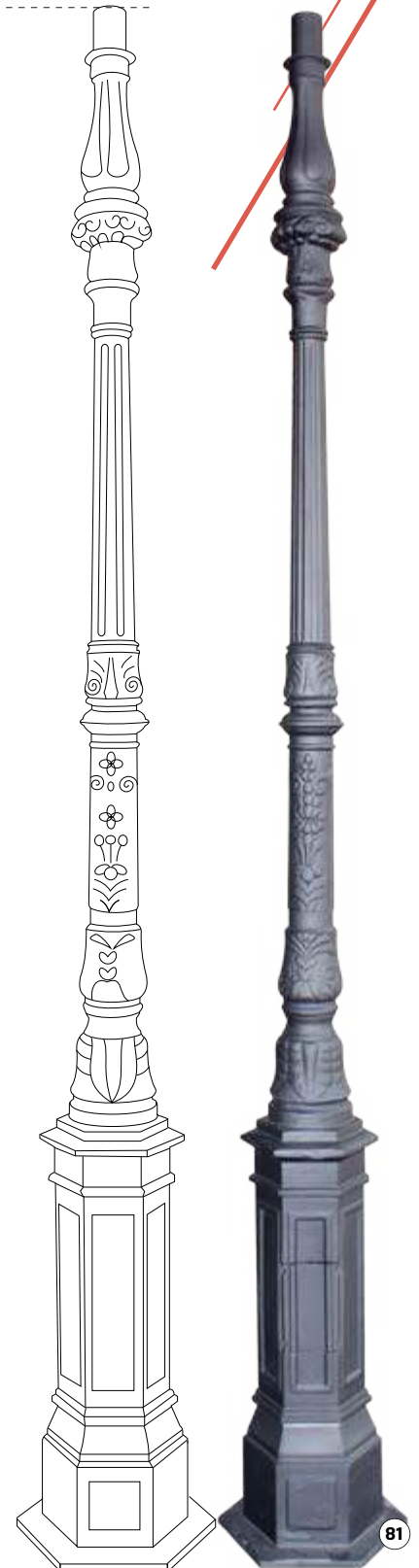
Available Heights

3M



MOUNTING BASE

2900 mm





MAFYL

Bracket Arms

Any design of bracket arm can be used. For more designs please visit bracket arms section

Suitable Luminaires

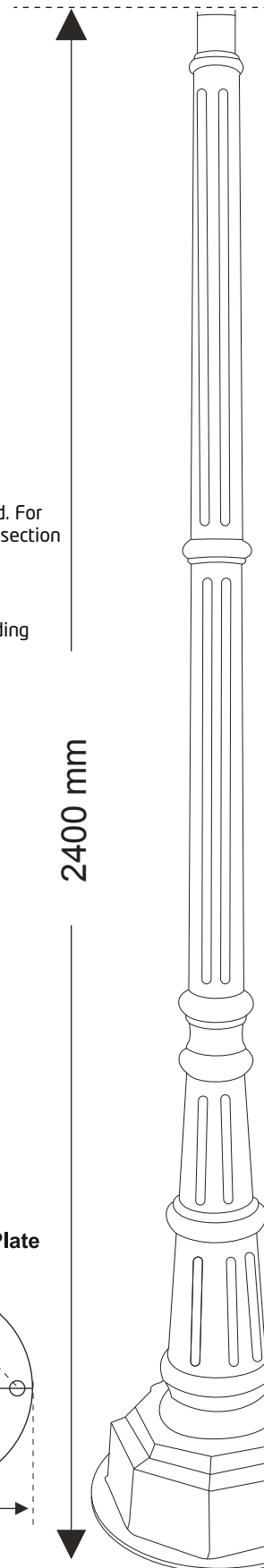
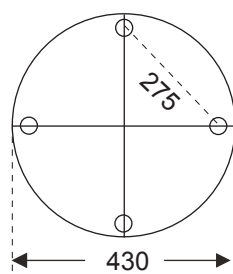
All post top Luminaires and all drop down Luminaires along with a bracket arm depending upon required wattage for 2.4M pole height

Available Heights

2.4M



Details of Base Plate





PAULA

Bracket Arms

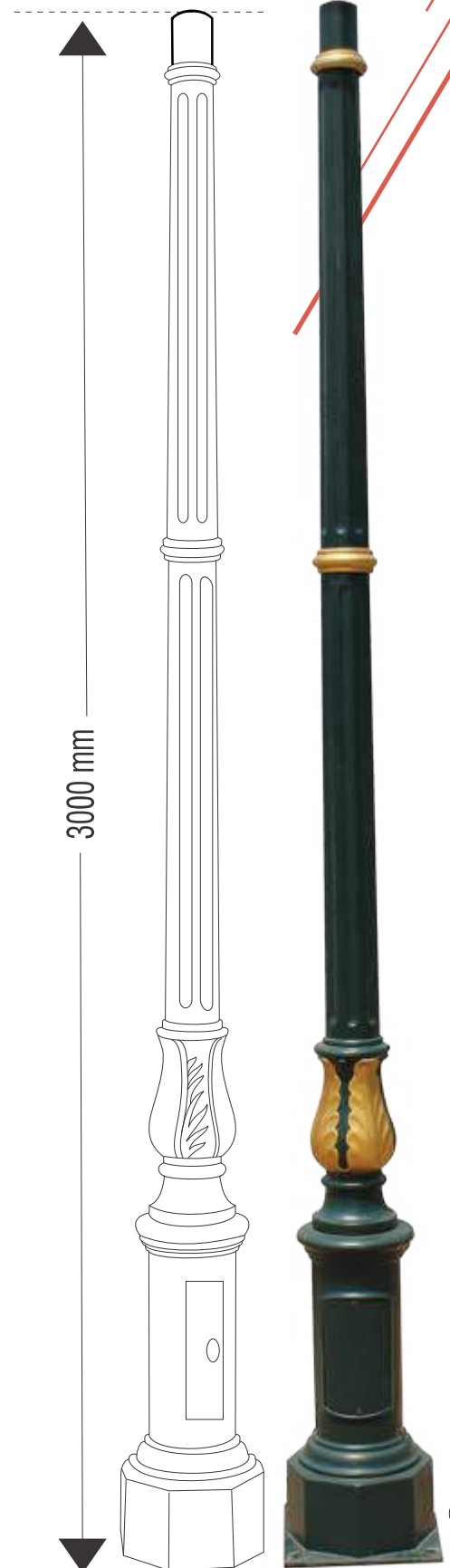
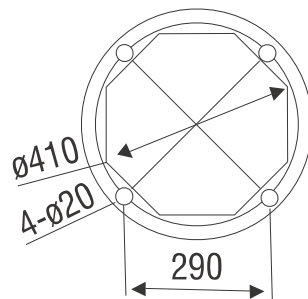
Any design of bracket arm can be used. For more designs please visit bracket arms section

Suitable Luminaires

All post top Luminaires and all drop down Luminaires along with a bracket arm depending upon required wattage for 3M pole height

Available Heights

3M





VINCENT

Bracket Arms

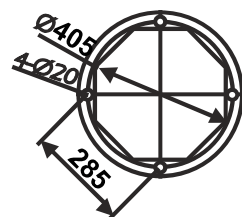
Any design of bracket arm can be used. For more designs please visit bracket arms section

Suitable Luminaires

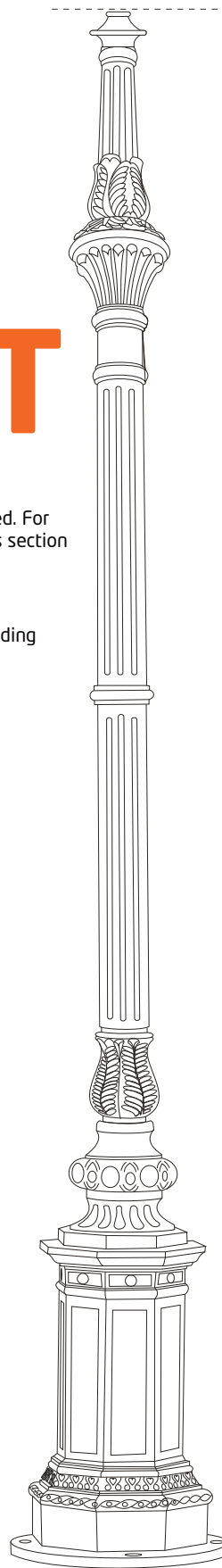
All post top Luminaires and all drop down Luminaires along with a bracket arm depending upon required wattage for 3.3M pole height

Available Heights

3.3M



MOUNTING BASE



3300 mm





Casting Combo Poles

A combination of Cast iron/
Cast Aluminium/Fibre
reinforced bases with Steel
shafts and designer bracket
arms giving a moderately
ornamental appeal to urban
street lighting architecture

FEATURES

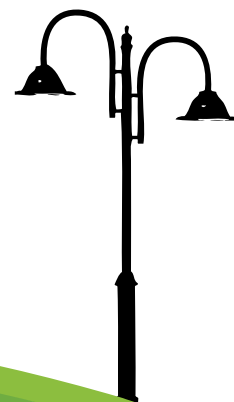
- Pole Base: Designer Cast Iron / Cast Aluminium / Fibre reinforced base and suitable base plate to mount on foundation block with nuts and J type bolts
- Pole Shaft: Plain G.I Pipe / Grooved Galvanized Iron (G.I) pipe / aluminium pipe as per chosen height with optional casting rings
- Bracket Arm: GI pipes with cast aluminium / cast iron embellishments depending upon the design of brackets chosen
- Pre-treatment: Each and every cast piece is pre-treated to remove all its external dirt and residues etc
- Finish: Durable UV Resistant Poly Urethane (P.U) paint available in range of many RAL Colors. The pole surface shall also be pre-treated before painting
- Height Range: 3M -10M* as per various designs
- Service Window: A suitable service window shall be provided at the bottom of pole to allow access to electrical connections and terminations.

APPLICATIONS

- Main Street lighting
- Pathway lighting
- Garden lighting
- Roundabouts and architectural spaces
- Residential / Institutional campuses
- Heritage monumental sites

ADVANTAGES

- Ornamental appeal in Urban landscapes
- Highly customisable design, colour and heights
- Multiple designer bracket arm options
- Durable, long life and great finish
- Economical compared to full casting poles, still adding aesthetics to streets





AXEL

Bracket Arms

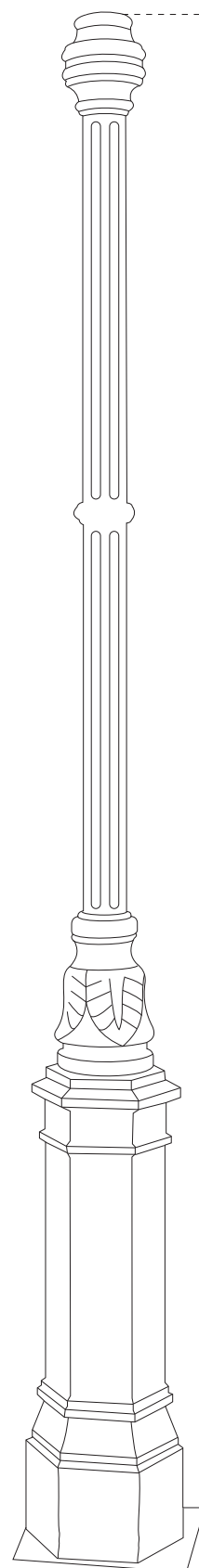
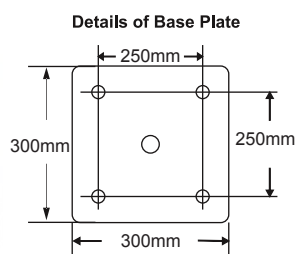
Any design of bracket arm can be used. For more designs please visit bracket arms section

Suitable Luminaires

All post top Luminaires and all drop down Luminaire along with a bracket arm depending upon required wattage for that particular height

Available Heights

3M/4M/5M



3000 mm





LARCH

Bracket Arms

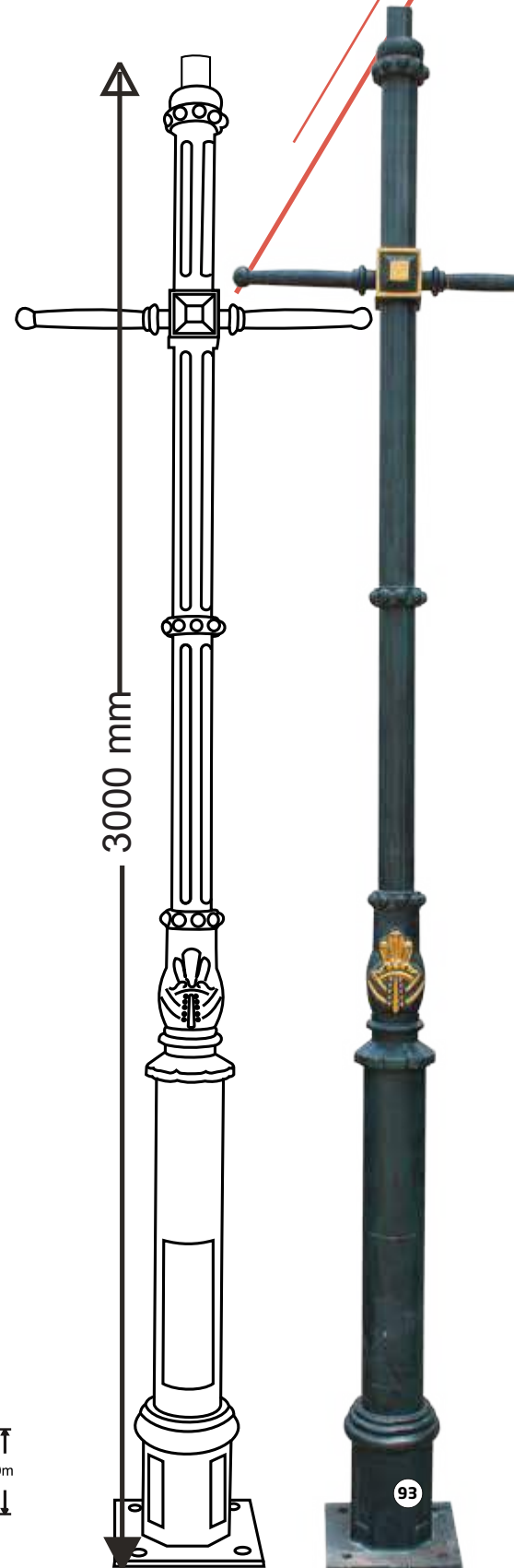
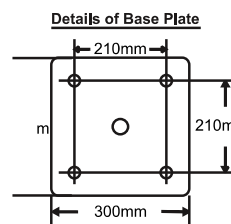
Any design of bracket arm can be used. For more designs please visit bracket arms section

Suitable Luminaires

All post top Luminaires and all drop down Luminaires along with a bracket arm depending upon required wattage for particular height

Available Heights

3M/4M/5M/6M/7M





LOCUST

Bracket Arms

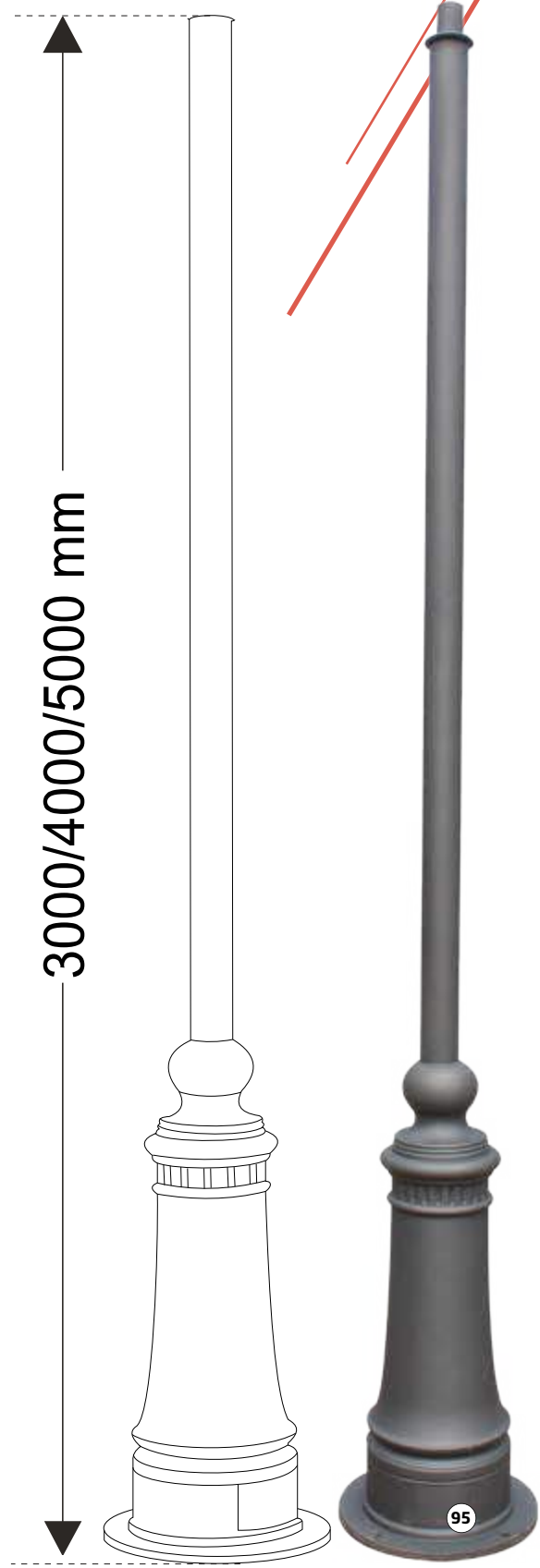
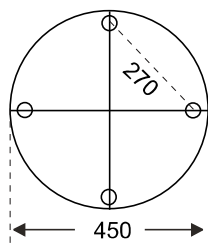
Any design of bracket arm can be used. For more designs please visit bracket arms section

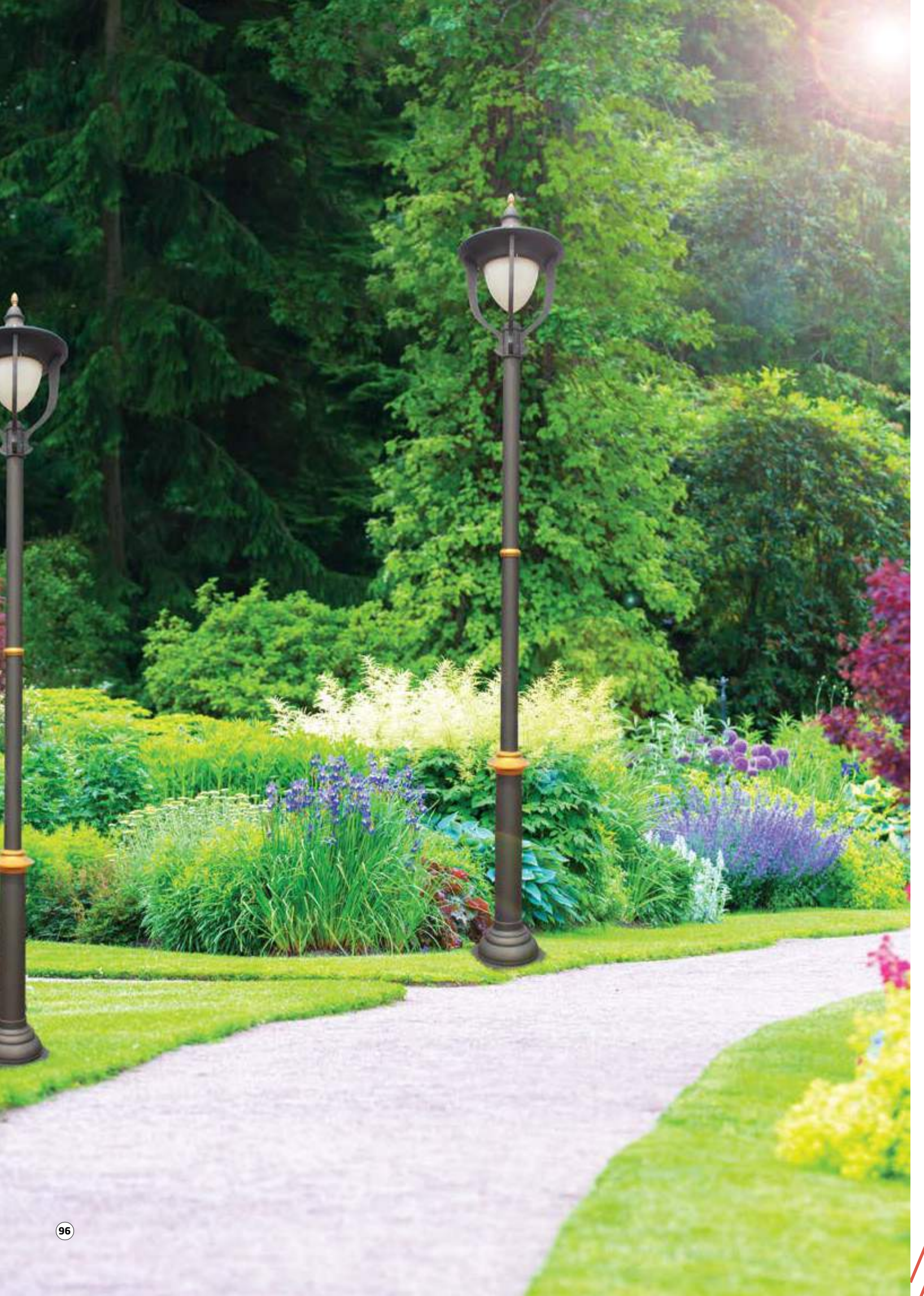
Suitable Luminaires

All post top Luminaires and all drop down Luminaires along with a bracket arm depending upon required wattage for particular height

Available Heights

3M/4M/5M/6M





MADELIA

Bracket Arms

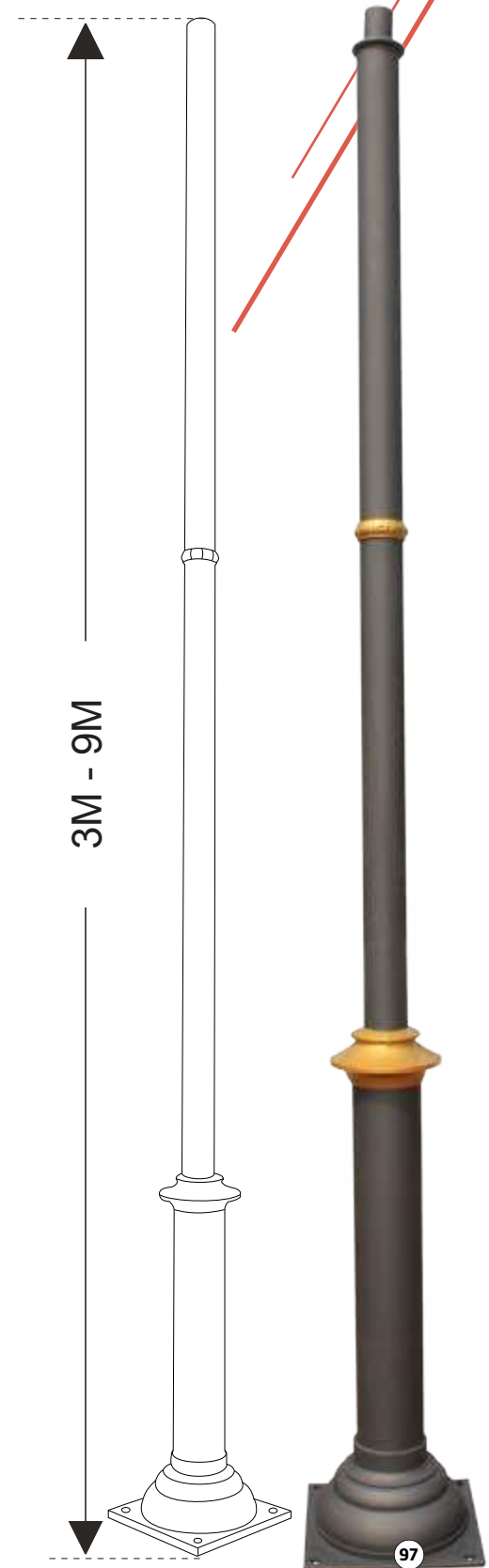
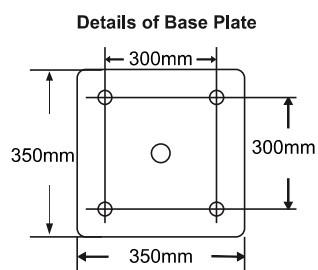
Any design of bracket arm can be used. For more designs please visit bracket arms section

Suitable Luminaires

All post top Luminaires and all drop down Luminaires along with a bracket arm depending upon required wattage for particular height

Available Heights

3M - 10M





RAIDEN

Bracket Arms

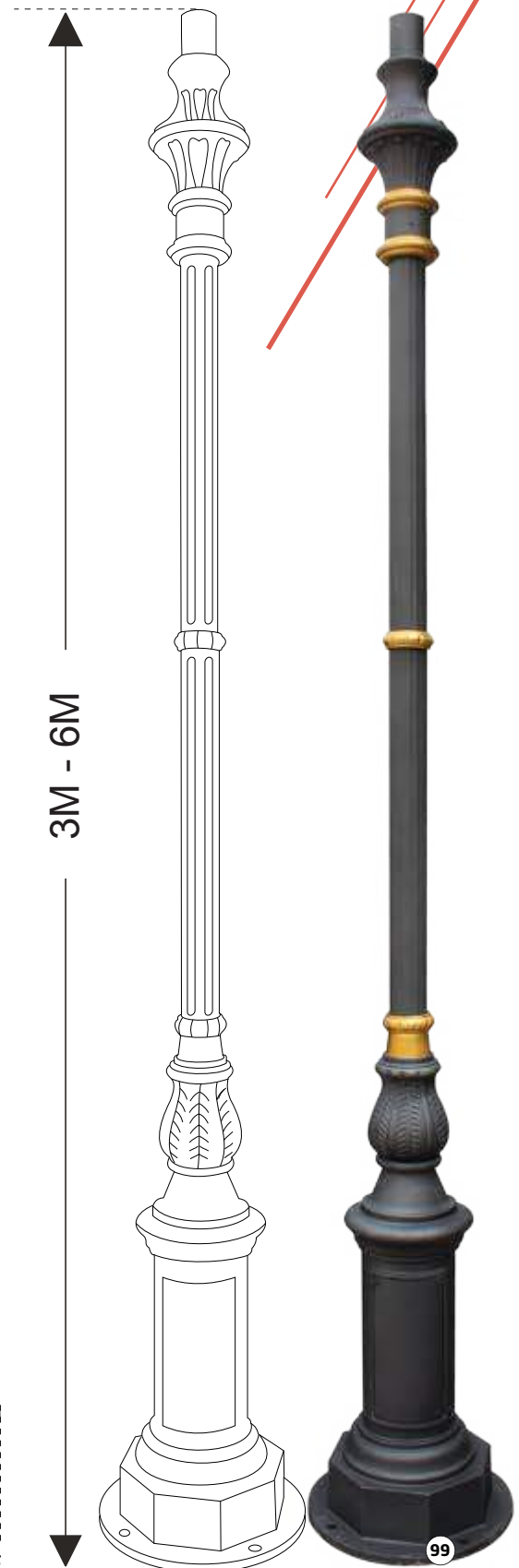
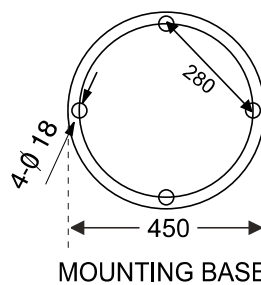
Any design of bracket arm can be used. For more designs please visit bracket arms section

Suitable Luminaires

All post top Luminaires and all drop down Luminaires along with a bracket arm depending upon required wattage for particular height

Available Heights

3M - 7M





SLIGO

Bracket Arms

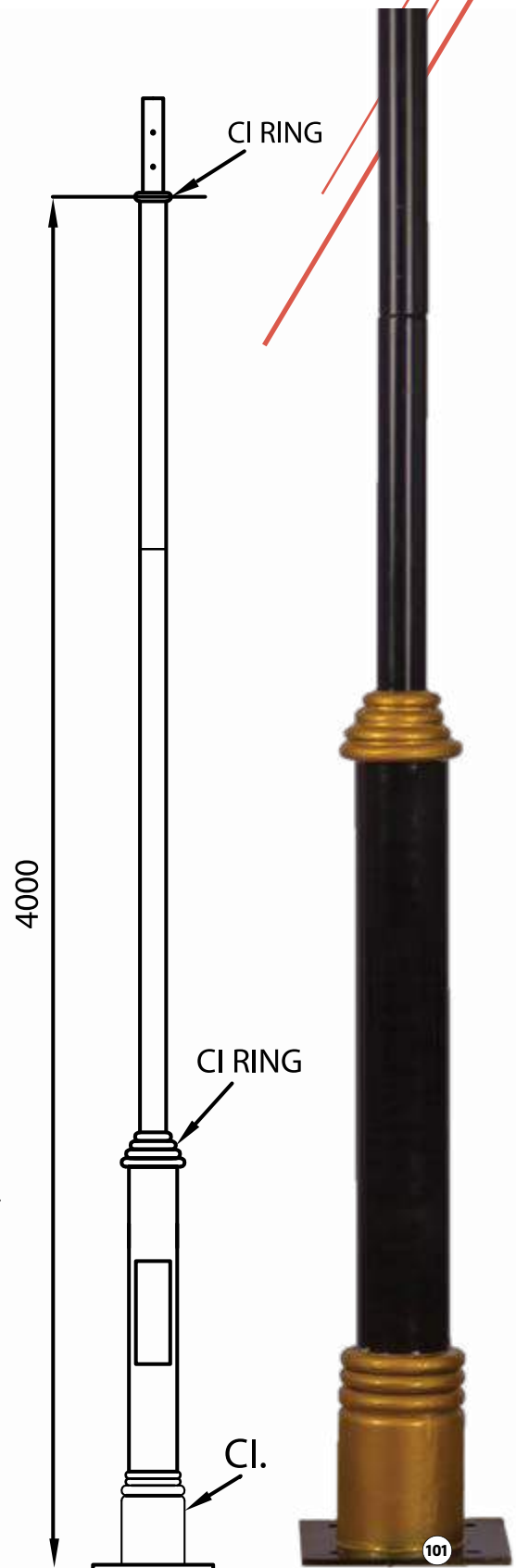
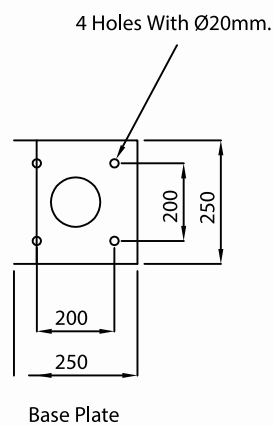
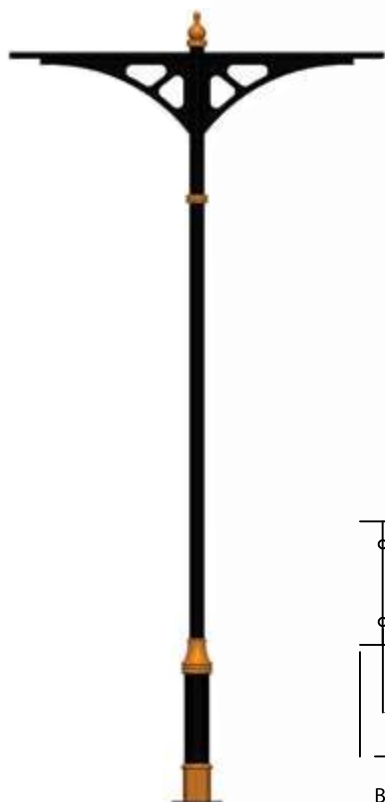
Any design of bracket arm can be used. For more designs please visit bracket arms section

Suitable Luminaires

All post top Luminaires and all drop down Luminaires along with a bracket arm depending upon required wattage for particular height.

Available Heights

3M - 10M





ALDER

Bracket Arms

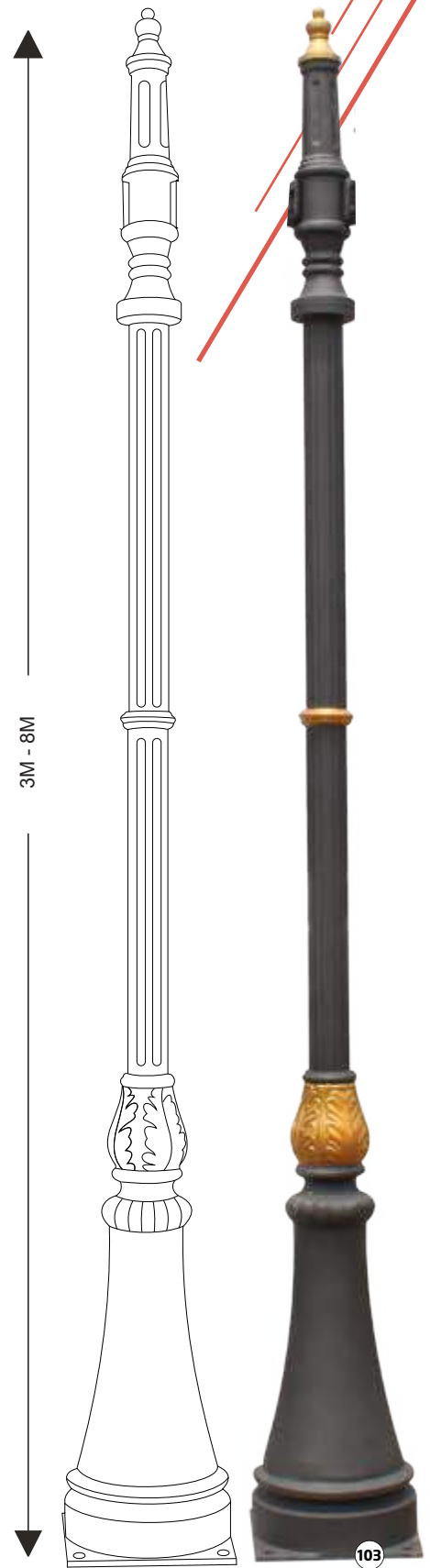
Any design of bracket arm can be used. For more designs please visit bracket arms section

Suitable Luminaires

All post top Luminaires and all drop down Luminaires along with a bracket arm depending upon required wattage for that particular height

Available Heights

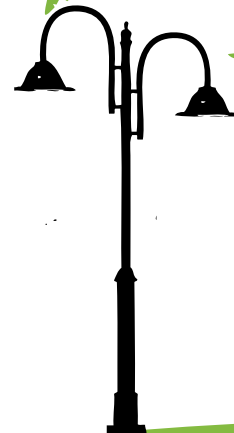
3M / 4M / 5m / 6m / 7m / 8m





Non Casting Contemporary Poles

Sleek designer steel poles
with designer bracket arms
giving contemporary appeal
to urban street lighting
architecture



FEATURES

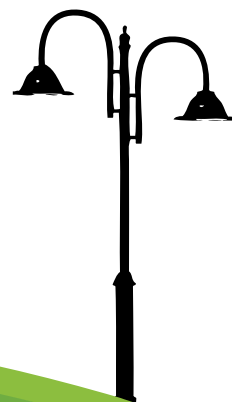
- Pole Base & Shaft: Plain / Grooved - Mild Steel / Galvanized Iron (G.I) pipe as per required height with suitable base plate
- Bracket Arm: Designer arm made of GI / MS steel pipes suitable to the pole
- Pre-treatment: Each and every pipe section is pre-treated to remove all its external dirt and residues
- Finish: Durable UV Resistant Poly Urethane (P.U) paint available in range of many RAL Colors
- Height Range: 3M –10M* as per various designs
- Service Window: A suitable service window shall be provided at the bottom of pole to allow access to electrical connections and terminations

ADVANTAGES

- Contemporary appeal to streets
- Customisable design, colour and heights
- Multiple designer bracket arm options
- Durable, long life and smooth finish
- Economical & light weight when compared to full casting poles
- Inbuilt lighting option also available

APPLICATIONS

- Main street lighting
- Pathway lighting
- Residential/Institutional campuses





RIGEL

Majestic LED pole light with
double wing design diffuser
adding modern appeal to urban
street lighting



LUMINAIRE CHARACTERISTICS

Optical Compartment Tightness Level	IP65
Ambient Temperature range	- 10°C to +40°C
Nominal Input Voltage / Frequency	240V/ 50Hz
Electrical Class	I
Power Consumption (Wattage) range	40W
Colour standard	Graphite Grey (other RAL colours available on request)

LED SOURCE CHARACTERISTICS

Correlated Colour Temperature (CCT)	4000K (+/-500K)
LED	Mid Power LED
Colour Rendering Index (CRI)	≥70

POWER SUPPLY

Input voltage	150-270V
Surge protection	4KV
Power Factor	>0.9
Driver efficiency	>85 %
THD	<15%
External SPD	10KV

FEATURES

- The Luminaire gives majestic contemporary look for urban landscapes
- It consists of aluminium housing with optical grade clear toughened glass diffuser
- The Luminaire emits a pleasant, glare-free light
- Mid Power discreet LEDs with efficiently designed optics to provide indirect soothing light distribution

APPLICATIONS

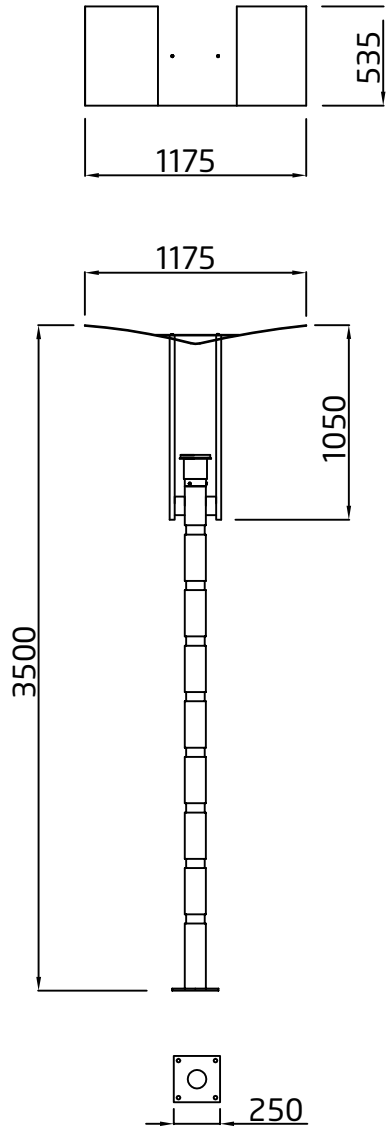
- Squares & Pathway Lighting
- Residential/commercial street lighting
- Area lighting
- Parks and Garden lighting
- Architectural spaces

OPTIONAL FEATURES

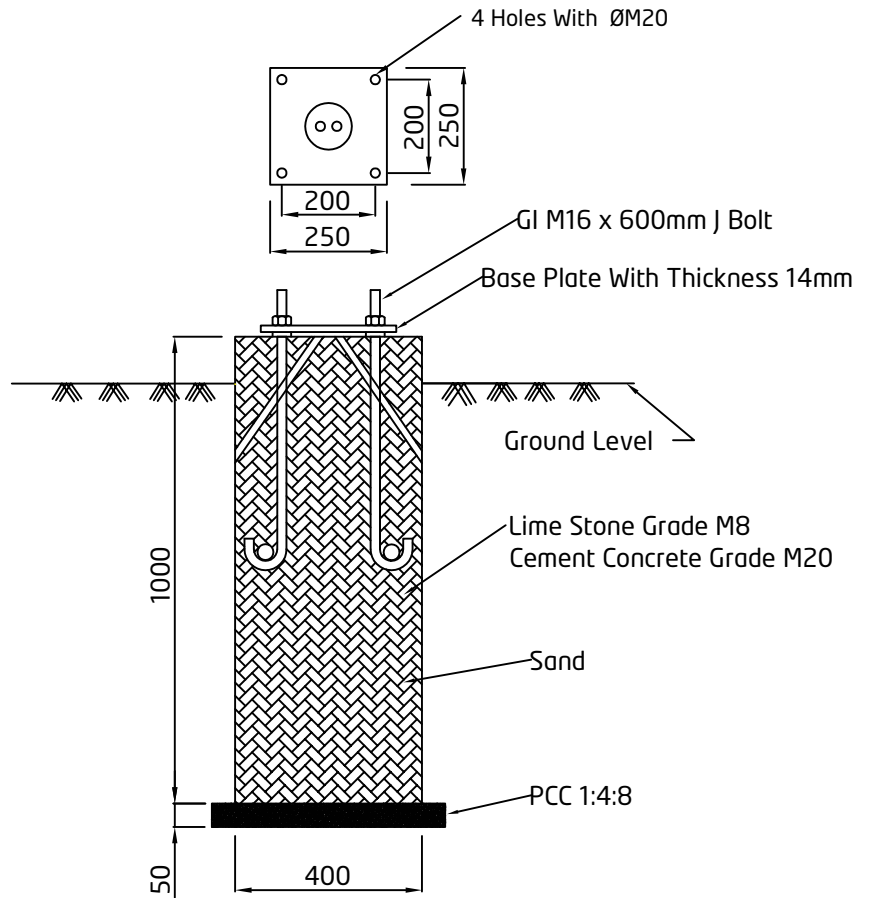
- Smart Control- IOT/dimming through remote management system to save power
- Any RAL color on request



DIMENSIONS



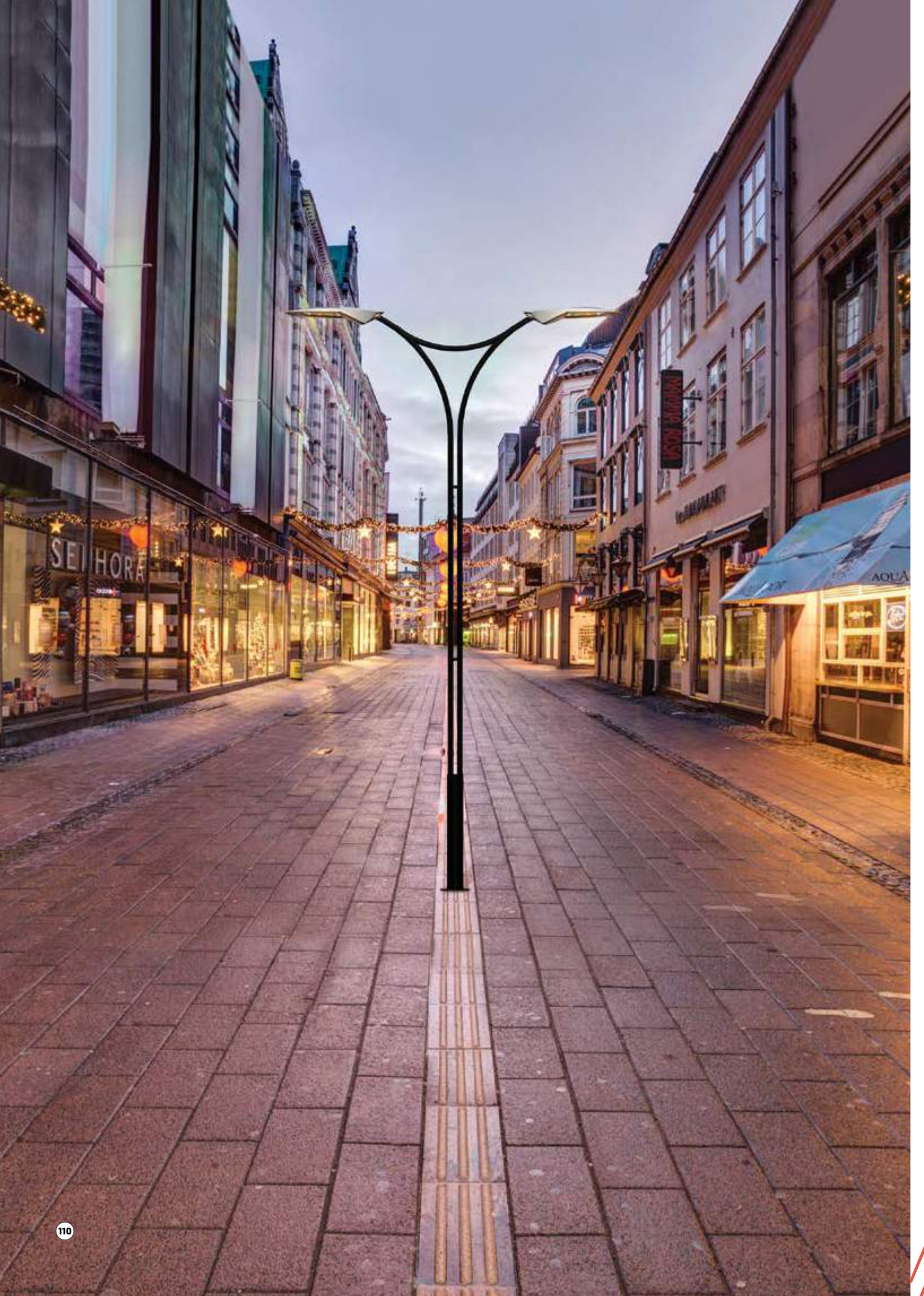
MOUNTING



All dimensions are in mm

ORDERING DATA

Product Code	Product description	Wattage (w)	Standard CCT (K)	Mounting height (M)
OPL-RIGL040W35H	RIGEL POLE LIGHT 40W LED 3.5M	40	4000K	3.5M



TAGIO

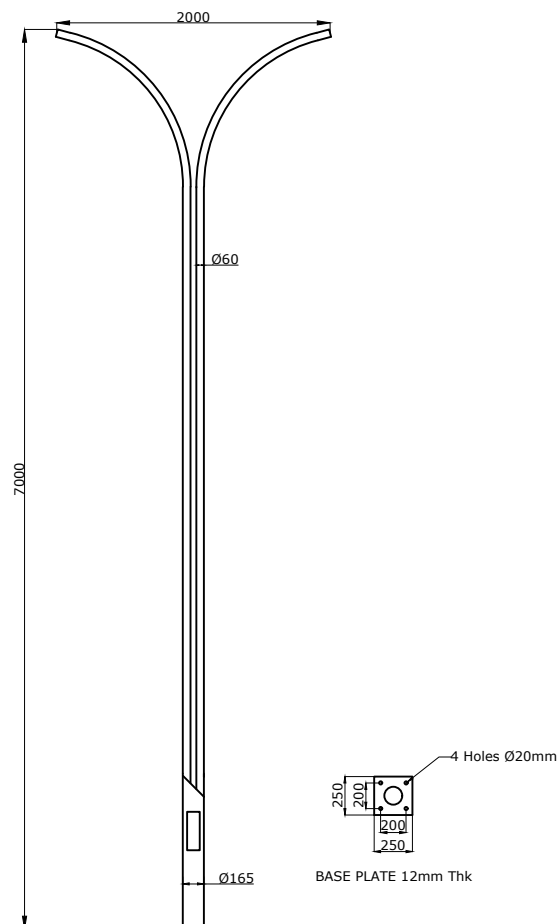
Dual steel sections branching out from base pipe forms a basic design of poles mainly for double side street lighting application

Suitable Luminaires

All street light fittings and drop down Luminaires depending upon required wattage for that particular height

Available Heights

3M - 9M





FLEXA

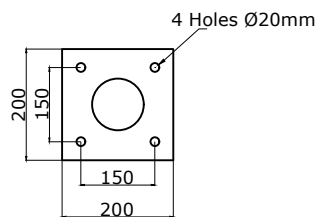
Sleek bent design that blends equally good with contemporary and traditional post top Luminaires

Suitable Luminaires

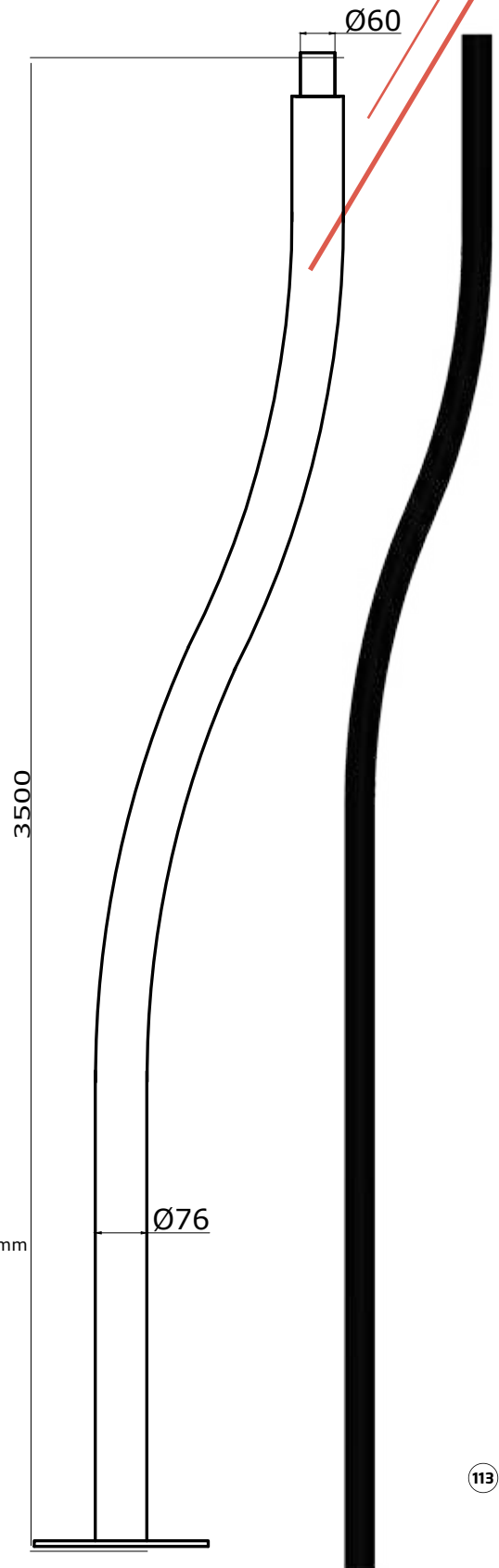
All post top Luminaires depending upon required wattage for that particular height

Available Heights

2M - 5M



BASE PLATE 10mm Thk





ANTRIM

Another LED light column with clever mix of aesthetics and performance for comfort lighting in inner city areas



LUMINAIRE CHARACTERISTICS

Optical Compartment Tightness Level	IP65
Ambient Temperature range	- 10°C to +40°C
Nominal Input Voltage / Frequency	240V/ 50Hz
Electrical Class	I
Power Consumption (Wattage) range	50W
Height	3M
Luminaire efficacy (lumen/watt)	90 Lumen/watt*
Colour standard	Graphite Grey (other RAL colours available on request)

FEATURES

- The column light gives majestic contemporary look for urban landscapes
- It consists of GI Rectangular section shaft equipped with inbuilt LED Luminaire
- Efficiently designed discreet LEDs provides pleasant, glare-free light with Polycarbonate diffuser

LED SOURCE CHARACTERISTICS

Correlated Colour Temperature (CCT)	3000K (+/- 500K)
LED	Mid Power LED
Colour Rendering Index (CRI)	>70

POWER SUPPLY

Input voltage	150-270V
Surge protection	4KV
Power Factor	>0.9
Driver efficiency	>85 %
THD	<15%
External SPD	10KV

APPLICATIONS

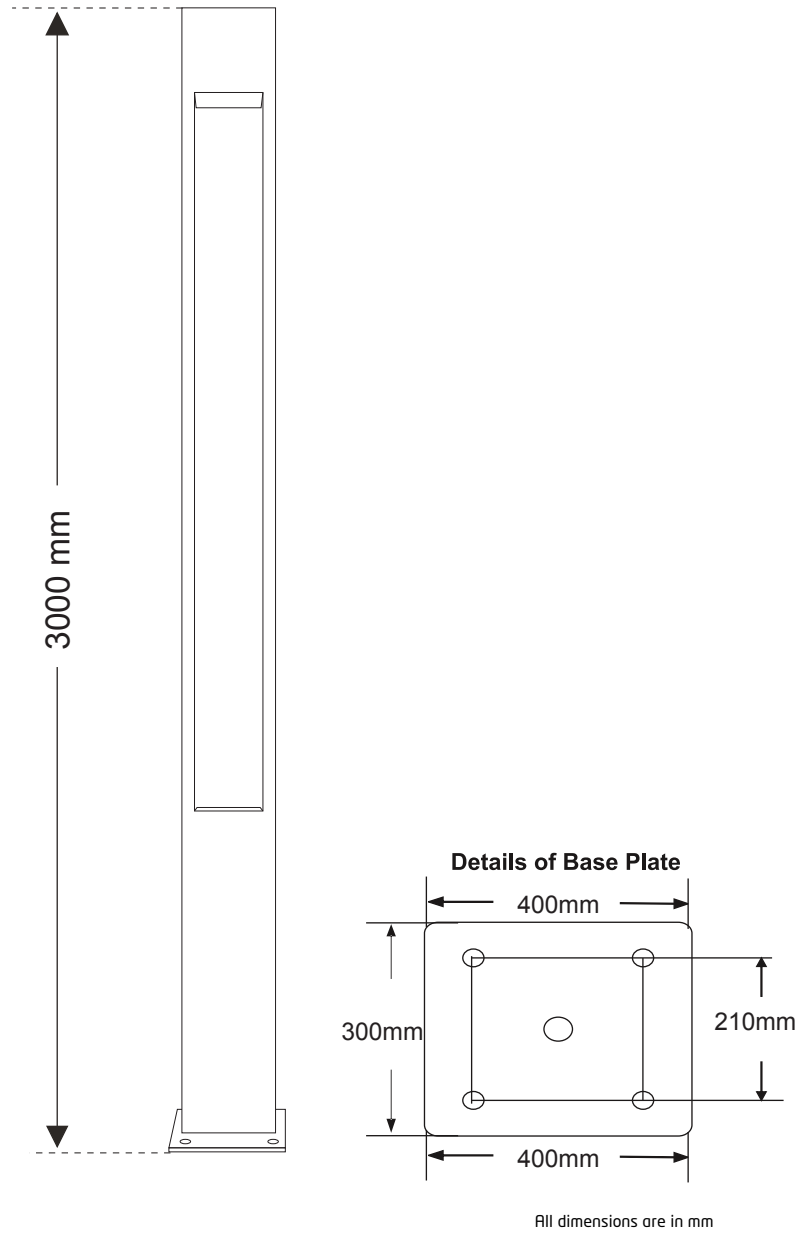
- Squares & Pathway Lighting
- Residential/commercial street lighting
- Area Lighting
- Parks and Garden lighting
- Architectural spaces

OPTIONAL FEATURES

- Smart Control- IOT/dimming through remote management system to save power
- Any RAL colour on request



DIMENSIONS



ORDERING DATA

Product Code	Product description	Wattage (W)	Standard CCT (K)	Mounting height (M)
OPL-ANTRIM50WLED3M	ANTRIM POLE LIGHT 50W LED 3M	50	3000K	3M



AUSTINO

Austino's simple geometric form allows it to adapt to either contemporary or traditional settings. It shall be in harmony with pathways providing lighting from both column perforations and post top indirect illumination



LUMINAIRE CHARACTERISTICS

Optical Compartment Tightness Level	IP65
Ambient Temperature range	- 10°C to +40°C
Nominal Input Voltage / Frequency	240V/ 50Hz
Electrical Class	I
Power Consumption (Wattage) range	50W (post top + 36W (from shaft perforations)
Height	4M
Colour standard	Graphite Grey (other RAL colours available on request)

LED SOURCE CHARACTERISTICS

Correlated Colour Temperature (CCT)	3000K/5700K (+/- 500K)
LED	Mid Power LED
Colour Rendering Index (CRI)	>70

POWER SUPPLY

Input voltage	150-270V
Surge protection	4KV
Power Factor	>0.9
Driver efficiency	>85 %
THD	<15%
External SPD	10KV

FEATURES

- The Luminaire gives majestic contemporary look for urban landscapes
- It consists of aluminium shaft with perforations providing 36W LED and Luminaire top with indirect lighting of 50W LED
- The Luminaire emits a pleasant, glare-free light
- Power discreet LEDs with efficiently designed optics to provide soothing light

APPLICATIONS

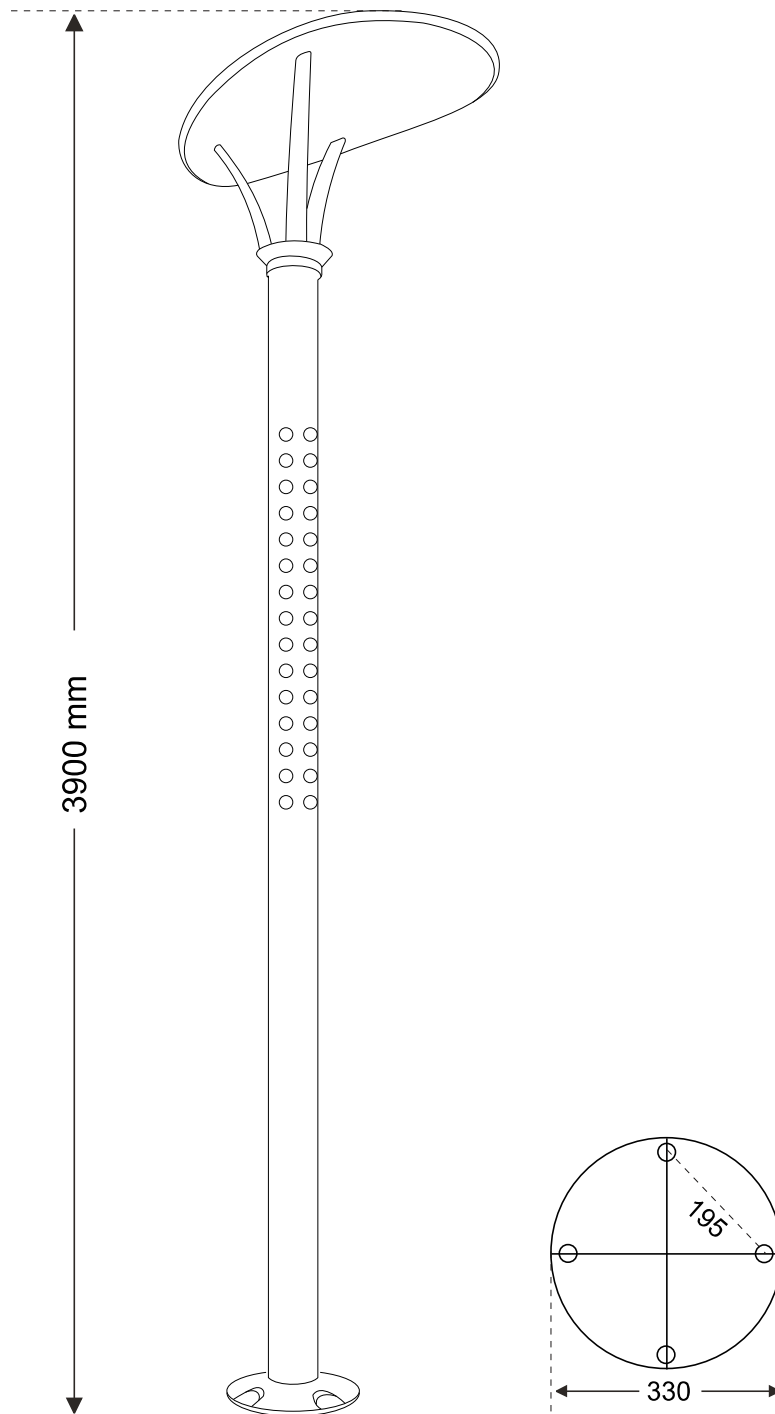
- Squares & Pathway Lighting
- Residential/commercial street lighting
- Area Lighting
- Parks and Garden lighting
- Architectural spaces

OPTIONAL FEATURES

- Smart Control- IOT/dimming through remote management system to save power
- Any RAL colour on request



DIMENSIONS



All dimensions are in mm

ORDERING DATA

Product Code	Product description	Wattage (W)	Standard CCT (K)	Mounting height (M)
OPL-AUS50WX36W	AUSTINO POLE LIGHT 50W LED	50W + 36W	5700K	3.9M



A modern street lighting pole with a square/rectangular section, featuring an inbuilt LED lighting fixture. The pole is dark grey and has a sleek, contemporary design. The lighting fixture is integrated into the top arm of the pole, which is angled downwards. The background is white with several red diagonal lines that intersect the pole and the text.

LINEOS

Square/Rectangular section poles with inbuilt LED lighting adds sleek contemporary aura to streets along with efficient illumination

LUMINAIRE CHARACTERISTICS

Optical Compartment Tightness Level	IP65
Ambient Temperature range	- 10°C to +40°C
Nominal Input Voltage/ Frequency	240V/ 50Hz
Electrical Class	I
Power Consumption (Wattage) range	50W/100W
Colour standard	Graphite Grey (other RAL colours available on request)

LED SOURCE CHARACTERISTICS

Correlated Colour Temperature (CCT)	5700K (+/- 500K)
LED	Mid Power LED
Colour Rendering Index (CRI)	>70

POWER SUPPLY

Input voltage	150-270V
Surge protection	4KV
Power Factor	>0.9
Driver efficiency	>85 %
THD	<15%
External SPD	10KV

FEATURES

- The Luminaire gives majestic contemporary look for urban landscapes
- It consists of GI/MS rectangular/square pole sections extending arm to inbuilt Luminaire with optical grade clear poly carbonate diffuser
- The Luminaire emits a pleasant, glare-free light
- Power discreet LEDs with efficiently designed optics to provide street light distribution

APPLICATIONS

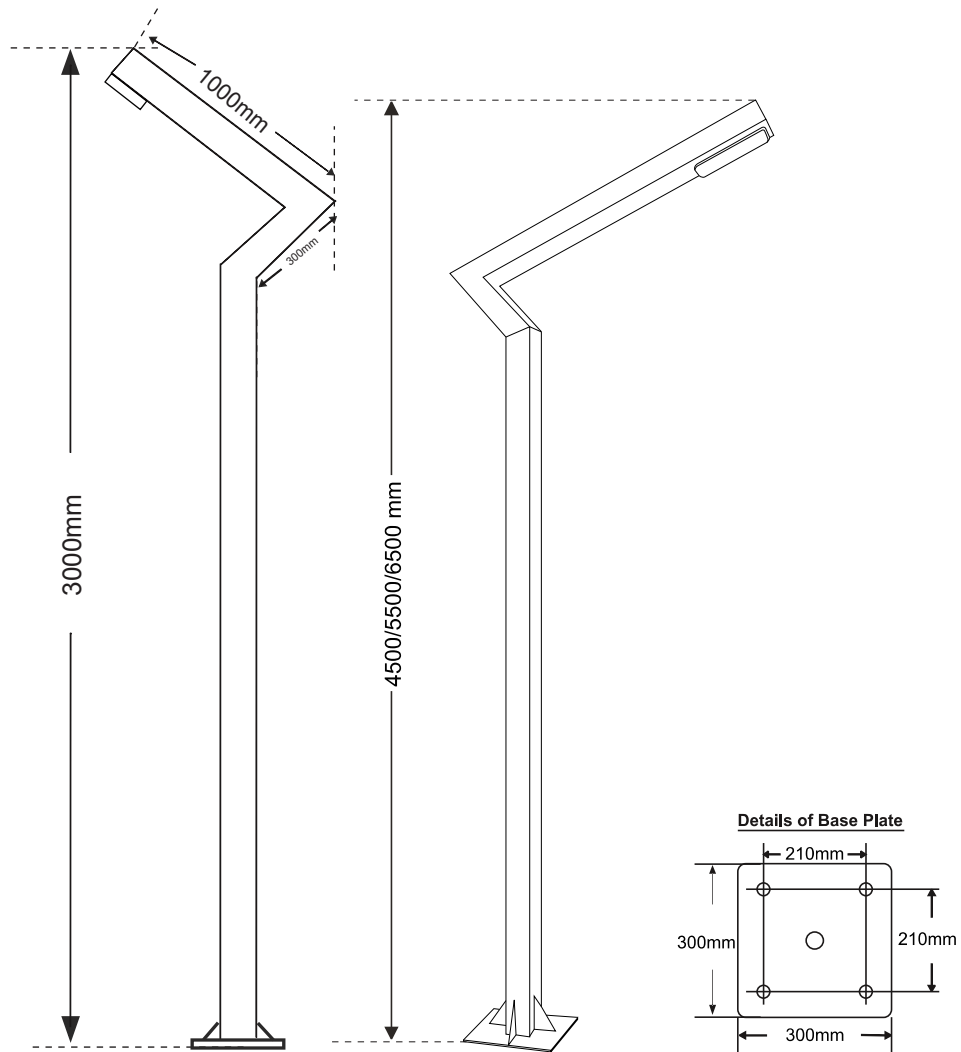
- Squares & Pathway Lighting
- Residential/commercial street lighting
- Area Lighting
- Parks and Garden lighting
- Architectural spaces

OPTIONAL FEATURES

- Smart Control- IOT/dimming through remote management system to save power
- Any RAL colour on request



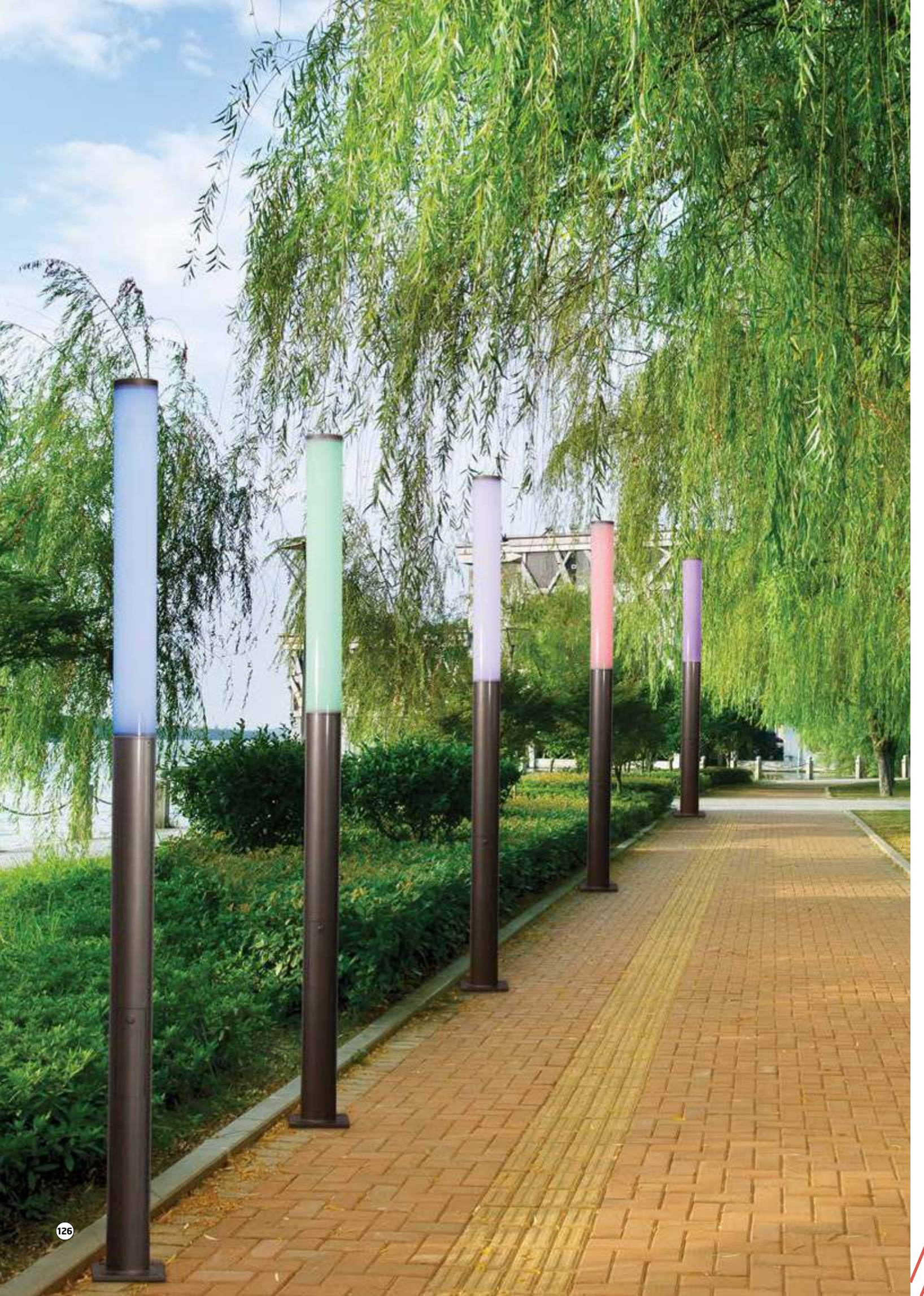
DIMENSIONS



All dimensions are in mm

ORDERING DATA

Product Code	Product description	Wattage (W)	Standard CCT (K)	Mounting height (M)
OPL-LINE0050W30	LINEOS POLE LIGHT 50W LED 3M	50	5700K	3M
OPL-LINE0050W45	LINEOS POLE LIGHT 50W LED 4.5M	50	5700K	4.5M
OPL-LINE0050W55	LINEOS POLE LIGHT 50W LED 5.5M	50	5700K	5.5M
OPL-LINE0100W65	LINEOS POLE LIGHT 100W LED 6.5M	100	5700K	6.5M
OPL-LINE0100W70	LINEOS POLE LIGHT 100W LED 7M	100	5700K	7M



ALTAIR

Column light, which is an integration of pole uniformly extended by a light diffuser, is a right choice for urban public mobility spaces



LUMINAIRE CHARACTERISTICS

Optical Compartment Tightness Level	IP65
Ambient Temperature range	- 10°C to +40°C
Nominal Input Voltage / Frequency	240V/ 50Hz
Electrical Class	I
Power Consumption (Wattage) range	30W / 40W / 60W
Colour standard	Graphite Grey (other RAL colours available on request)

LED SOURCE CHARACTERISTICS

Correlated Colour Temperature (CCT)	5700K/3000K (+/-500K)
LED	Mid Power LED
Colour Rendering Index (CRI)	>70

POWER SUPPLY

Input voltage	150-270V
Surge protection	4KV
Power Factor	>0.9
Driver efficiency	>85 %
THD	<15%
External SPD	10KV

FEATURES

- The Luminaire gives majestic contemporary look for urban landscapes
- It consists of steel posts with high pressure die cast aluminium end caps with optical grade poly carbonate diffuser
- The lamp post emits a pleasant, glare-free light
- Mid Power discreet LEDs with efficiently designed optics to provide soothing light distribution

APPLICATIONS

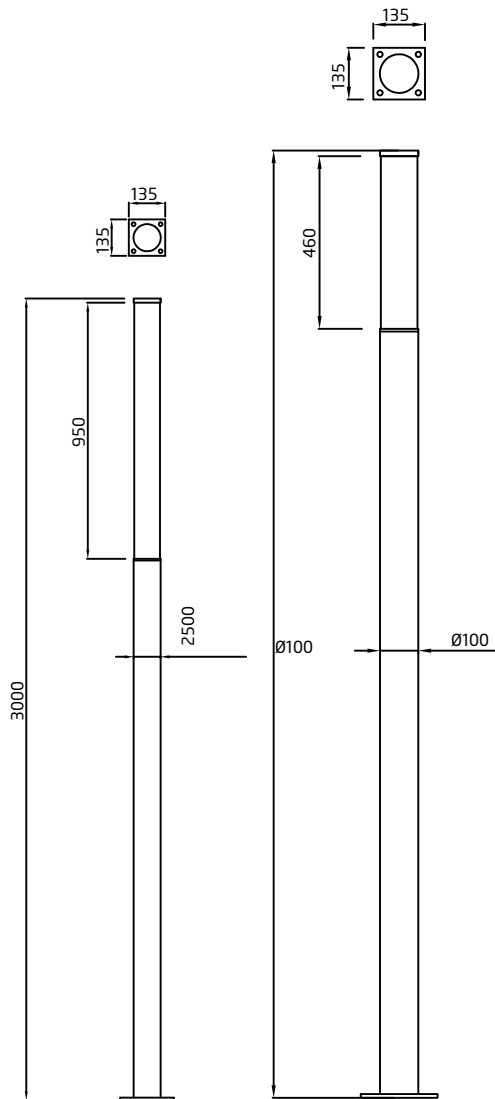
- Squares & Pathway Lighting
- Residential/commercial street lighting
- Area Lighting
- Parks and Garden lighting
- Architectural spaces

OPTIONAL FEATURES

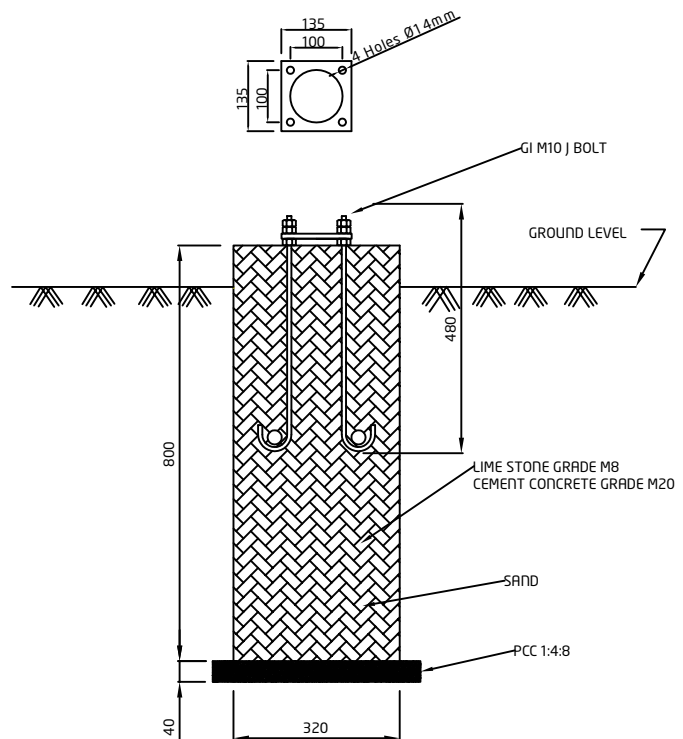
- Smart Control- IOT/dimming through remote management system to save power
- Any RAL colour on request



LINE DRAWING



MOUNTING DETAILS

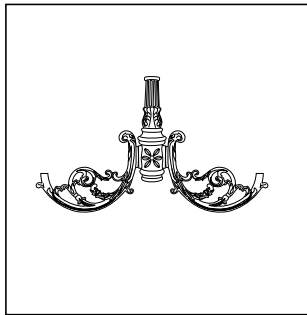


All dimensions are in mm

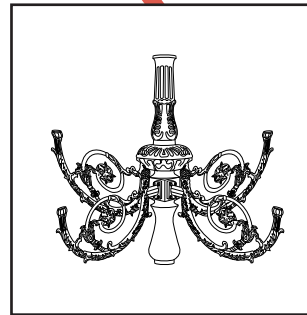
ORDERING DATA

Product Code	Product description	Wattage (W)	Standard CCT (K)	Mounting height (M)
OPL-ALT030W25H	ALTAIR COLUMN 30W LED 2.5M	30	3000K	2.5M
OPL-ALT040W30H	ALTAIR COLUMN 40W LED 3M	40	3000K	3M
OPL-ALT060W40H	ALTAIR COLUMN 60W LED 4M	60	3000K	4M

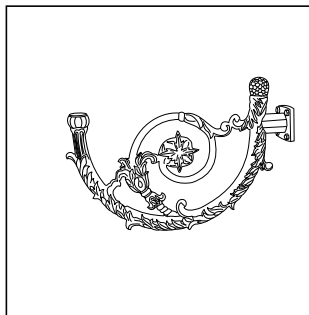
BRACKET ARMS



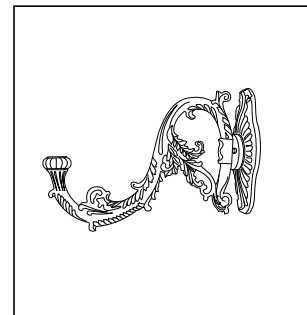
OBK01



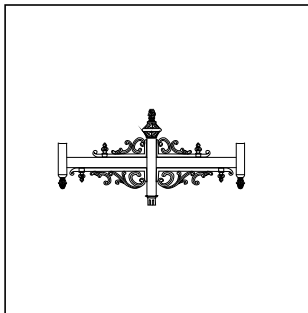
OBK02



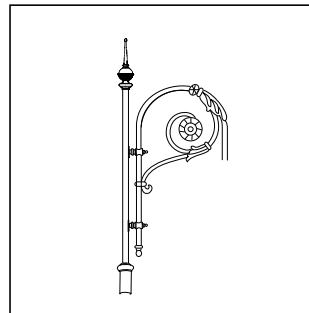
OBK03



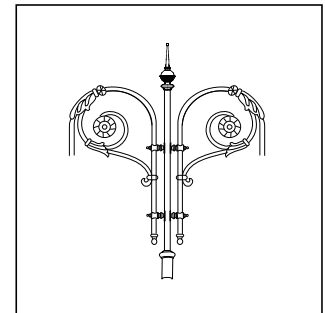
OBK04



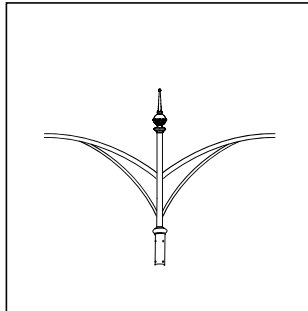
OBK05



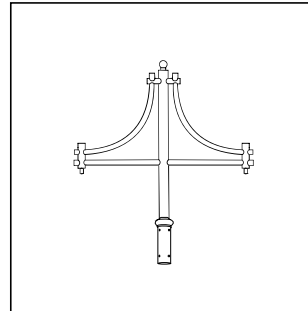
OBK06



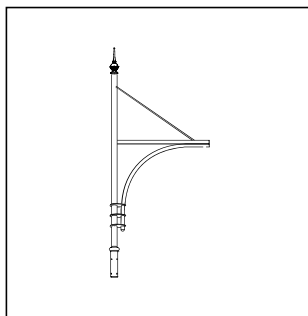
OBK07



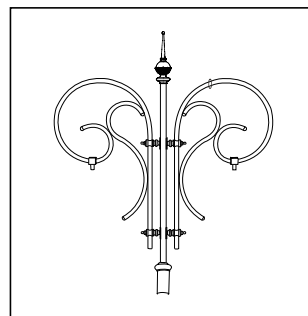
OBK08



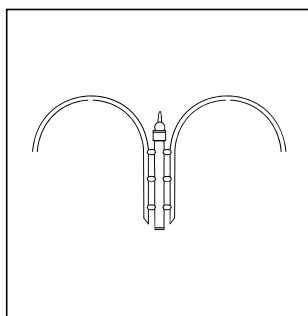
OBK09



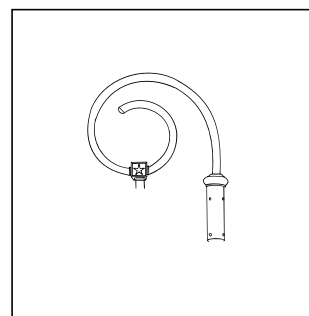
OBK10



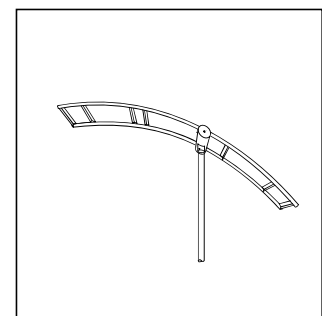
OBK11



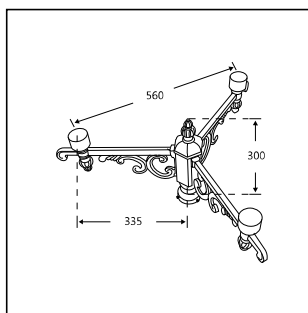
OBK12



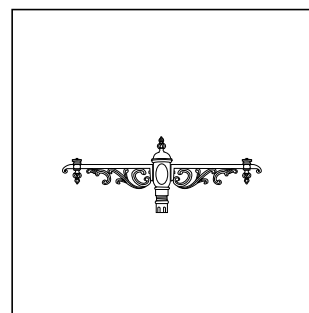
OBK13



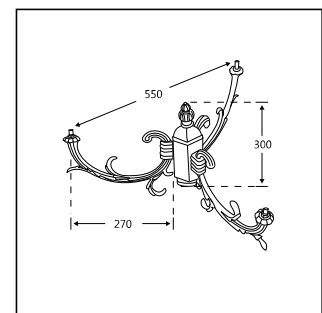
OBK14



OBK15



OBK16



OBK17



BOLLARDS





ANDRO



LUMINAIRE CHARACTERISTICS

Optical Compartment Tightness Level	IP65
Ambient Temperature range	- 10°C to +40°C
Nominal Input Voltage Frequency	240V/ 50Hz
Electrical Class	I
Power Consumption (Wattage) range	9W
Colour standard	Grey (other RAL colours available on request)

FEATURES

- The bollard is made of powder coated aluminium housing
- It emits a pleasant, glare-free light with its UV stabilised clear or opal optical grade PMMA diffuser
- Power discreet LEDs efficiently designed to provide soothing pathway light distribution

LED SOURCE CHARACTERISTICS

Correlated Colour Temperature (CCT)	3000K (+/-500K)
LED	Mid Power LED
Colour Rendering Index (CRI)	>70

POWER SUPPLY

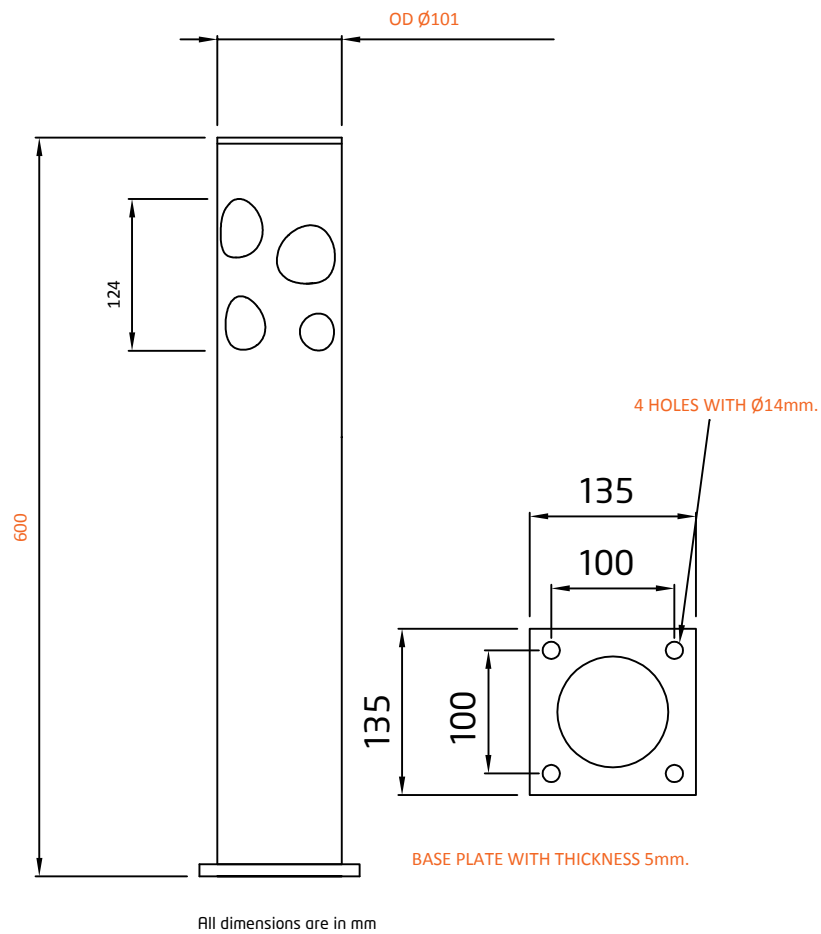
Input voltage	150-270V
Surge protection	4KV
Power Factor	>0.9
Driver efficiency	>85 %
THD	<15%
External SPD	10KV

APPLICATIONS

- Road Lighting
- Area Lighting
- Parks and Garden lighting
- Architectural spaces
- Jogging tracks/Parking spaces
- Malls, institutional campuses etc



DIMENSIONS



ORDERING DATA

Product Code	Product description	Wattage (W)	Standard CCT (K)	Mounting height (M)
OBL-ANDR09W600	ANDRO BOLLARD 9W LED 0.6M	9	3000K	0.6M



ERIC



LUMINAIRE CHARACTERISTICS

Optical Compartment Tightness Level	IP65
Ambient Temperature range	- 10°C to +40°C
Nominal Input Voltage Frequency	240V/ 50Hz
Electrical Class	I
Power Consumption (Wattage) range	18W
Colour standard	Graphite Grey (other RAL colours available on request)

FEATURES

- The bollard is made of complete cast aluminium housing
- It emits a pleasant, glare-free light with its UV stabilised clear or opal optical grade polycarbonate/PMMA diffuser
- Power discreet LEDs with efficiently designed optics to provide soothing pathway light distribution

LED SOURCE CHARACTERISTICS

Correlated Colour Temperature (CCT)	5700K/3000K (+/- 500K)
LED	Mid Power LED
Colour Rendering Index (CRI)	>70

POWER SUPPLY

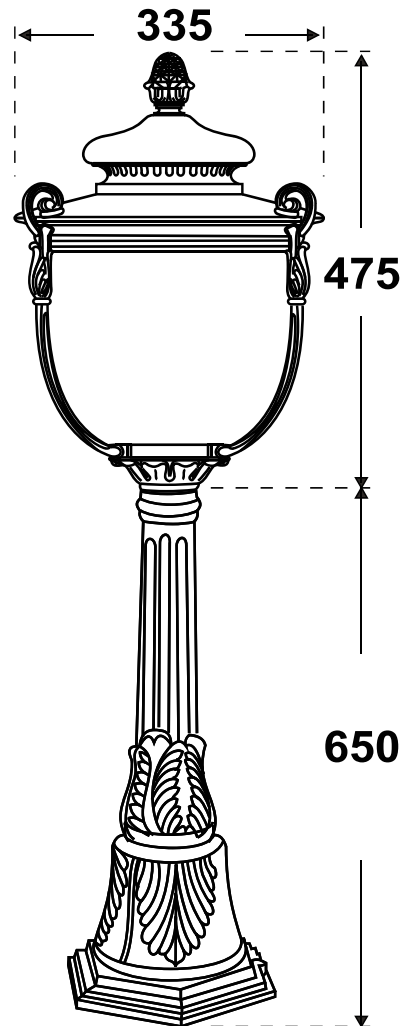
Input voltage	150-270V
Surge protection	4KV
Power Factor	>0.9
Driver efficiency	>85 %
THD	<15%
External SPD	10KV

APPLICATIONS

- Area Lighting
- Parks and Garden lighting
- Architectural spaces
- Malls, institutional campuses etc



DIMENSIONS



All dimensions are in mm

ORDERING DATA

Product Code

OBL-ERIC18W1M

ERIC BOLLARD 18W LED

18W

5700K

1.1M



KAITOS



LUMINAIRE CHARACTERISTICS

Optical Compartment Tightness Level	IP65
Ambient Temperature range	- 10°C to +40°C
Impact Resistance (Diffuser)	IK 08
Nominal Input Voltage Frequency	240V/ 50Hz
Electrical Class	I
Power Consumption (Wattage) range	9W
Colour standard	Graphite Grey (other RAL colours available on request)

LED SOURCE CHARACTERISTICS

Correlated Colour Temperature (CCT)	3000K (+/- 500K)
LED	Mid Power LED
Colour Rendering Index (CRI)	>70

POWER SUPPLY

Input voltage	150-270V
Surge protection	4KV
Power Factor	>0.9
Driver efficiency	>85 %
THD	<15%
External SPD	10KV

FEATURES

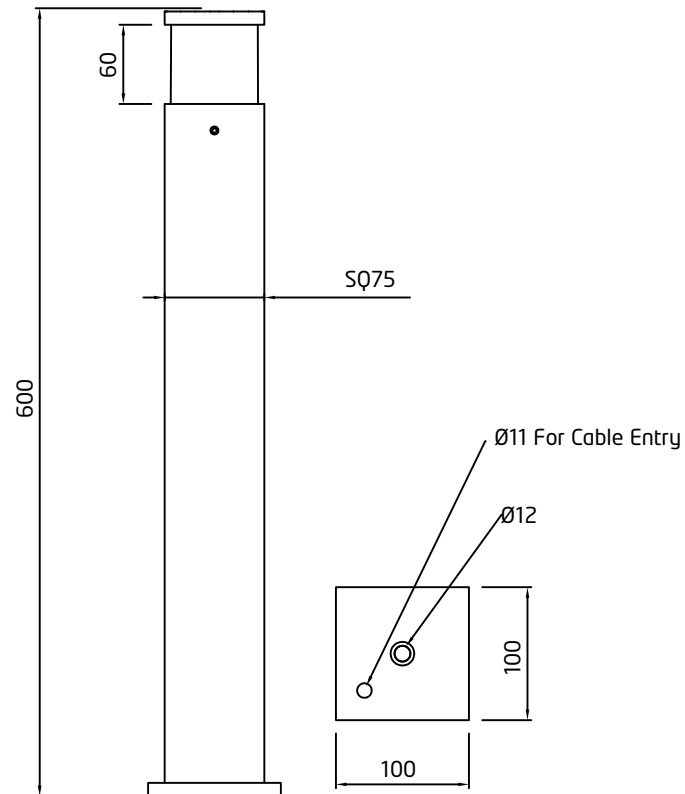
- The bollard is made of powder coated aluminium housing
- It emits a pleasant, glare-free light with its UV stabilised optical grade PMMA diffuser
- Power discreet LEDs efficiently designed to provide soothing pathway light distribution

APPLICATIONS

- Area Lighting
- Parks and Garden lighting
- Architectural spaces
- Malls, institutional campuses etc
- Jogging tracks/Parking spaces



DIMENSIONS

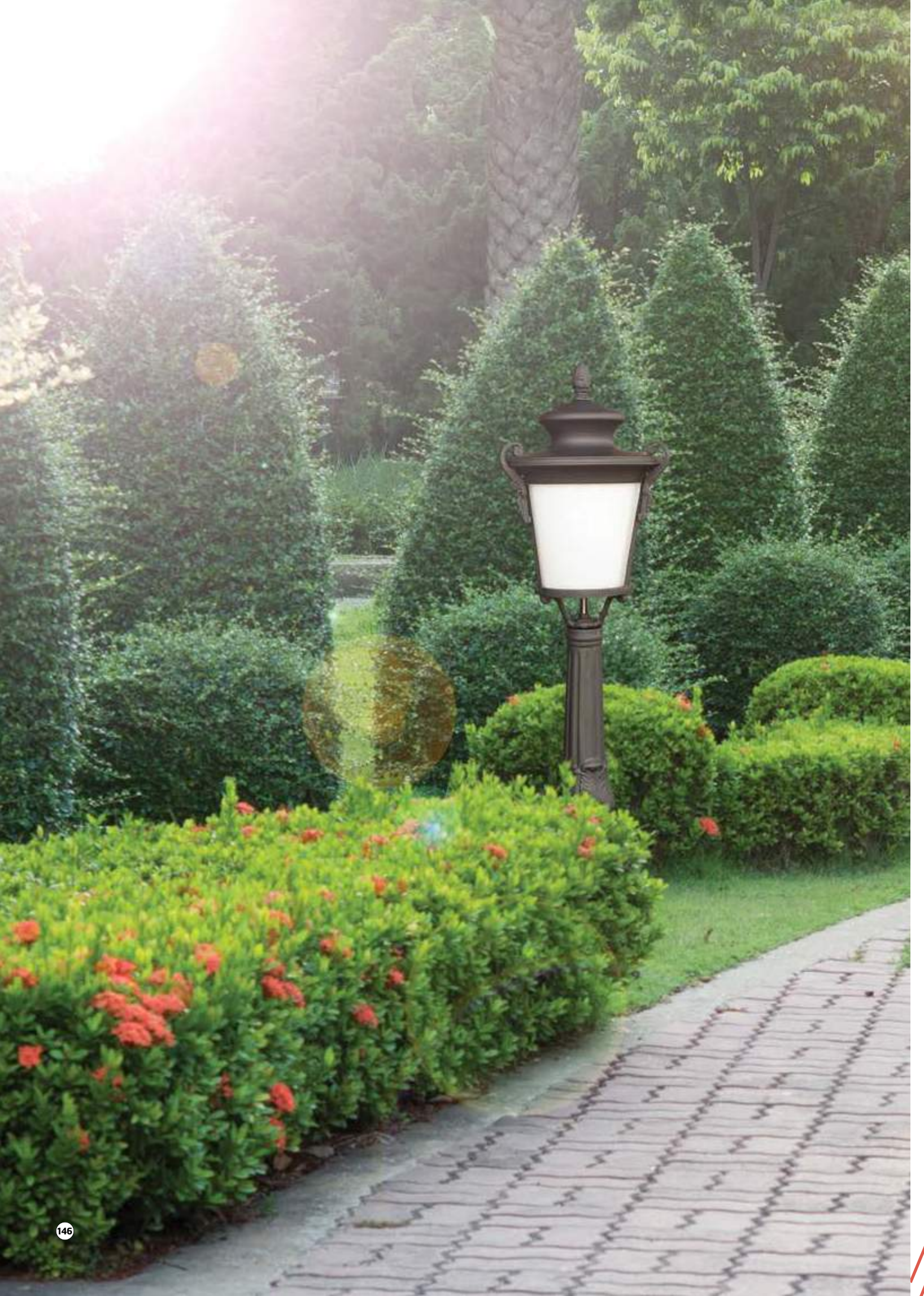


BASE PLATE WITH THICKNESS 10mm.

All dimensions are in mm

ORDERING DATA

Product Code	Product description	Wattage (W)	Standard CCT (K)	Mounting height (M)
OBL-KAITOS9W600	KAITOS BOLLARD 9W LED 0.6M	9	3000K	0.6M



NAVIS



LUMINAIRE CHARACTERISTICS

Optical Compartment Tightness Level	IP65
Ambient Temperature range	- 10°C to +40°C
Nominal Input Voltage Frequency	240V/ 50Hz
Electrical Class	I
Power Consumption (Wattage) range	18W
Colour standard	Graphite Grey (other RAL colours available on request)

FEATURES

- The bollard is made of complete cast aluminium housing
- It emits a pleasant, glare-free light with its UV stabilised clear or opal optical grade polycarbonate/PMMA diffuser
- Power discreet LEDs with efficiently designed optics to provide soothing pathway light distribution

LED SOURCE CHARACTERISTICS

Correlated Colour Temperature (CCT)	5700K/3000K (+/- 500K)
LED	Mid Power LED
Colour Rendering Index (CRI)	>70

POWER SUPPLY

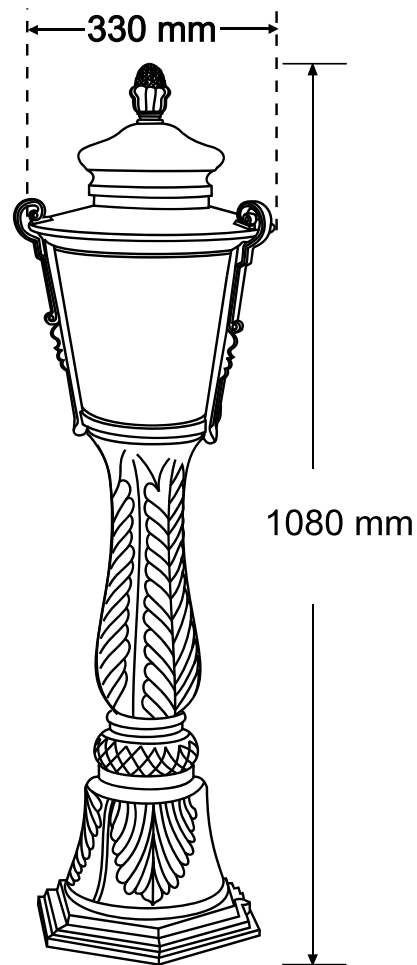
Input voltage	150-270V
Surge protection	4KV
Power Factor	>0.9
Driver efficiency	>85 %
THD	<15%
External SPD	10KV

APPLICATIONS

- Area Lighting
- Parks and Garden lighting
- Architectural spaces
- Malls, institutional campuses etc



DIMENSIONS



All dimensions are in mm

ORDERING DATA

Product Code	Product description	Wattage (W)	Standard CCT (K)	Mounting height (M)
OBL-NAVIS18W1M	NAVIS BOLLARD 18W LED	18	5700K	1.1M



NORMA



LUMINAIRE CHARACTERISTICS

Optical Compartment Tightness Level	IP65
Ambient Temperature range	- 10°C to +40°C
Nominal Input Voltage Frequency	240V/ 50Hz
Electrical Class	I
Power Consumption (Wattage) range	9W
Colour standard	Graphite Grey (other RAL colours available on request)

FEATURES

- The bollard is made of powder coated aluminium housing
- It emits a pleasant, glare-free light with its UV stabilised clear optical grade PMMA diffuser
- Power discreet LEDs with efficiently designed optics to provide soothing pathway light distribution

LED SOURCE CHARACTERISTICS

Correlated Colour Temperature (CCT)	3000K (+/-500K)
LED	Mid Power LED
Colour Rendering Index (CRI)	>70

POWER SUPPLY

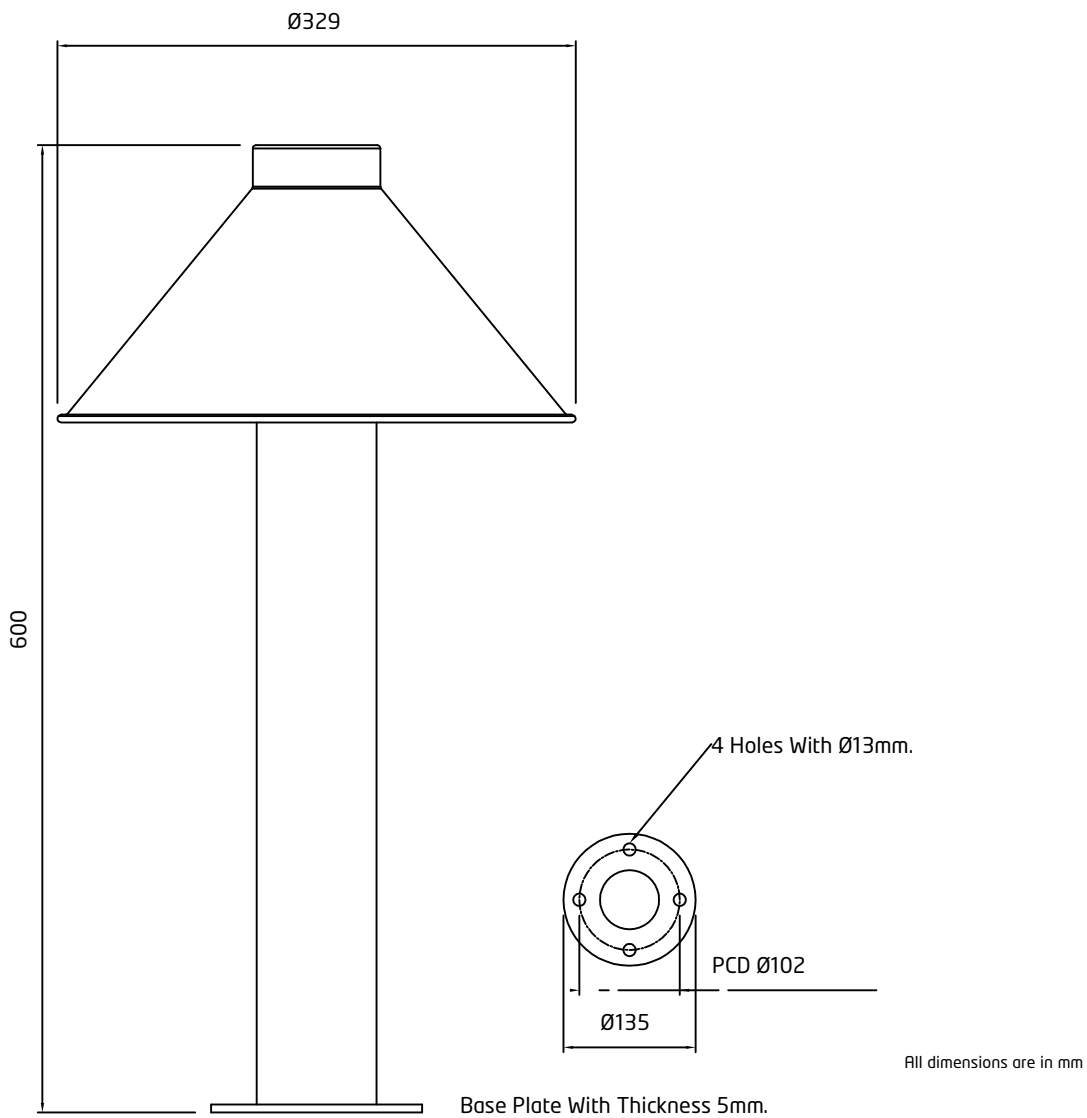
Input voltage	150-270V
Surge protection	4KV
Power Factor	>0.9
Driver efficiency	>85 %
THD	<15%
External SPD	10KV

APPLICATIONS

- Road Lighting
- Area Lighting
- Parks and Garden lighting
- Architectural spaces
- Jogging tracks/Parking spaces
- Malls, institutional campuses etc



DIMENSIONS



ORDERING DATA

Product Code	Product description	Wattage (W)	Standard CCT (K)	Mounting height (M)
OBL-NORMA9W600	NORMA BOLLARD 9W LED 0.6M	9	3000K	0.6M



PHYLL



LUMINAIRE CHARACTERISTICS

Optical Compartment Tightness Level	IP65
Ambient Temperature range	- 10°C to +40°C
Nominal Input Voltage Frequency	240V/ 50Hz
Electrical Class	I
Power Consumption (Wattage) range	12W
Colour standard	Graphite Grey (other RAL colours available on request)

FEATURES

- The bollard is made of extruded aluminium shaft and cast aluminium base plate
- It emits a pleasant, glare-free light with its UV stabilised clear or opal optical grade Polycarbonate diffuser
- Power discreet LEDs efficiently designed to provide soothing pathway light distribution

LED SOURCE CHARACTERISTICS

Correlated Colour Temperature (CCT)	5700K (+/- 500K)
LED	Mid Power LED
Colour Rendering Index (CRI)	>70

POWER SUPPLY

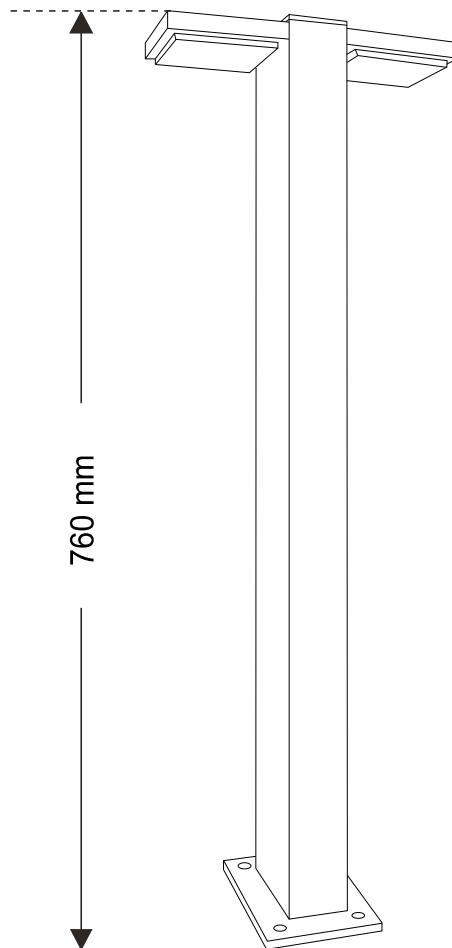
Input voltage	150-270V
Surge protection	4KV
Power Factor	>0.9
Driver efficiency	>85 %
THD	<15%
External SPD	10KV

APPLICATIONS

- Area Lighting
- Parks and Garden lighting
- Architectural spaces
- Malls, institutional campuses etc



DIMENSIONS



All dimensions are in mm

ORDERING DATA

Product Code	Product description	Wattage (W)	Standard CCT (K)	Mounting height (M)
OBL-PHYLL12W760	PHYLL BOLLARD 12W LED	12	5700K	0.76M



QUINN



LUMINAIRE CHARACTERISTICS

Optical Compartment Tightness Level	IP65
Ambient Temperature range	- 10°C to +40°C
Nominal Input Voltage / Frequency	240V/ 50Hz
Electrical Class	I
Power Consumption (Wattage) range	9W
Colour standard	Graphite Grey (other RAL colours available on request)

LED SOURCE CHARACTERISTICS

Correlated Colour Temperature (CCT)	5700K (+/- 500K)
LED	Mid Power LED
Colour Rendering Index (CRI)	>70

POWER SUPPLY

Input voltage	150-270V
Surge protection	4KV
Power Factor	>0.9
Driver efficiency	>85 %
THD	<15%
External SPD	10KV

FEATURES

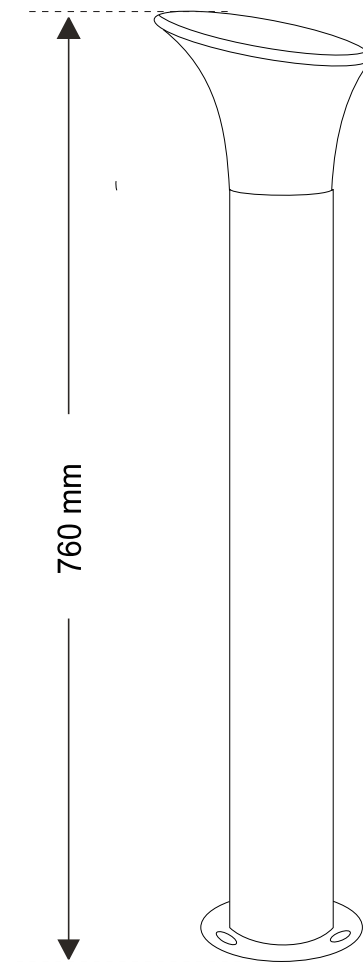
- The bollard is made of powder coated aluminium shaft and cast aluminium base plate
- It emits a pleasant, glare-free light with its UV stabilised clear optical grade polycarbonate diffuser
- Power discreet LEDs with efficiently designed optics to provide soothing pathway light distribution

APPLICATIONS

- Area Lighting
- Parks and Garden lighting
- Architectural spaces
- Malls, institutional campuses etc



DIMENSIONS



All dimensions are in mm

ORDERING DATA

Product Code	Product description	Wattage (W)	Standard CCT (K)	Mounting height (M)
OBL-QUINN9W760	QUINN BOLLARD 9W LED	9	5700K	0.76M



SIGMA



LUMINAIRE CHARACTERISTICS

Optical Compartment Tightness Level	IP65
Ambient Temperature range	- 10°C to +40°C
Nominal Input Voltage/ Frequency	240V/ 50Hz
Electrical Class	I
Power Consumption (Wattage) range	40W/72W
Colour standard	Graphite Grey (other RAL colours available on request)

FEATURES

- The bollard is made of extruded aluminium housing with laser cut design
- It emits a pleasant, glare-free light with its UV stabilised clear optical grade Poly Carbonate diffuser
- Power discreet LEDs with efficiently designed optics to provide soothing pathway light distribution

LED SOURCE CHARACTERISTICS

Correlated Colour Temperature (CCT)	3000K / +/- 500K
LED	Mid Power LED
Colour Rendering Index (CRI)	>70

POWER SUPPLY

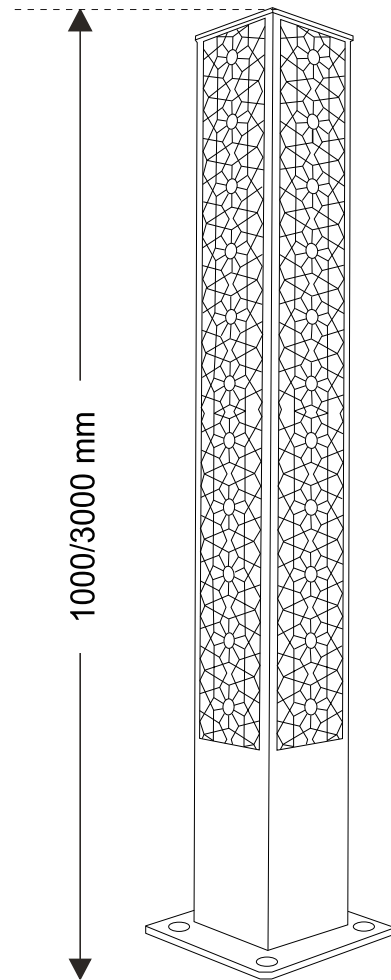
Input voltage	150-270V
Surge protection	4KV
Power Factor	>0.9
Driver efficiency	>85 %
THD	<15%
External SPD	10KV

APPLICATIONS

- Area Lighting
- Parks and Garden lighting
- Architectural spaces
- Malls, institutional campuses etc



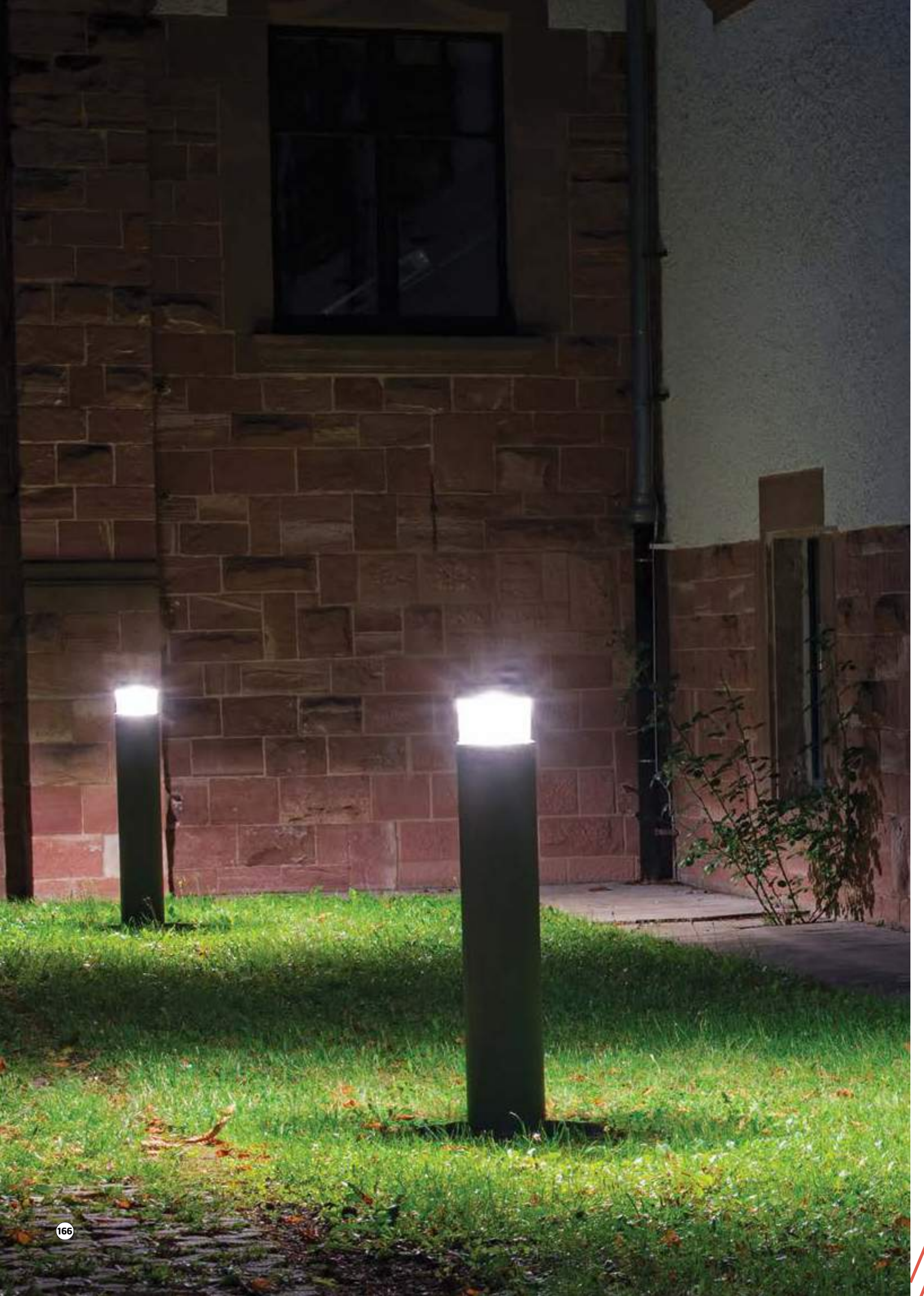
DIMENSIONS



All dimensions are in mm

ORDERING DATA

Product Code	Product description	Wattage (W)	Standard CCT (K)	Mounting height (M)
OBL-SIGMA40W1M	SIGMA BOLLARD 40W 1M	40	3000K	1M
OBL-SIGMA72W3M	SIGMA BOLLARD 72W 3M	72	3000K	3M



SPICA



LUMINAIRE CHARACTERISTICS

Optical Compartment Tightness Level	IP65
Ambient Temperature range	- 10°C to +40°C
Nominal Input Voltage / Frequency	240V/ 50Hz
Electrical Class	I
Power Consumption (Wattage) range	9W
Colour standard	Graphite Grey (other RAL colours available on request)

LED SOURCE CHARACTERISTICS

Correlated Colour Temperature (CCT)	3000K/5700K (+/- 500K)
LED	Mid Power LED
Colour Rendering Index (CRI)	>70

POWER SUPPLY

Input voltage	150-270V
Surge protection	4KV
Power Factor	>0.9
Driver efficiency	>85 %
THD	<15%
External SPD	10KV

FEATURES

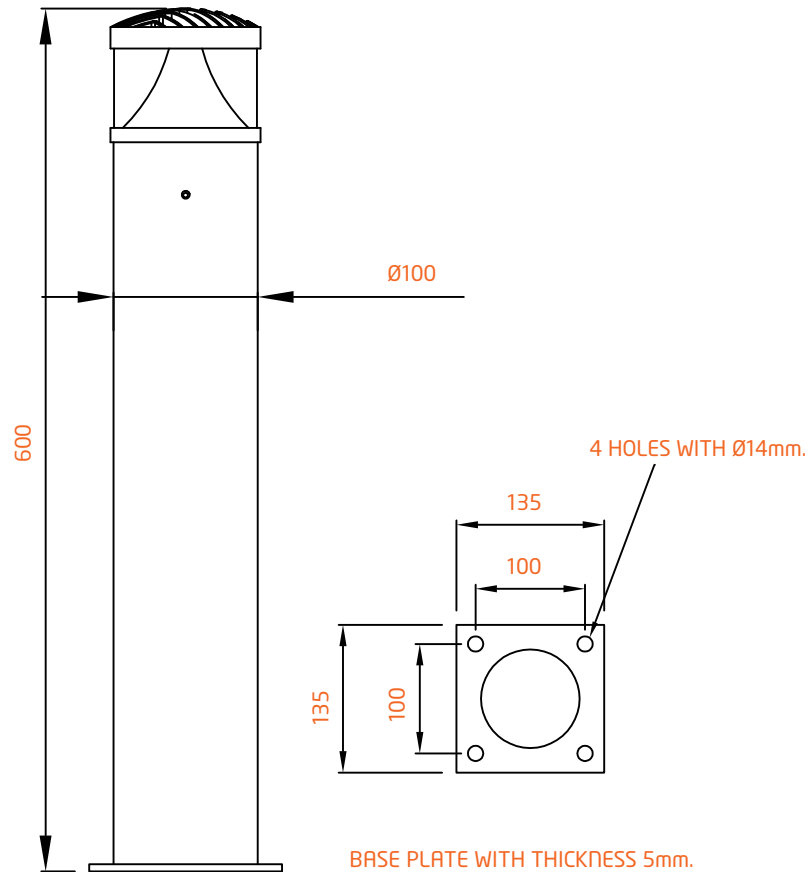
- The bollard is made of powder coated aluminium housing
- It emits a pleasant, glare-free light with its UV stabilised clear/opal grade PMMA diffuser
- Power discreet LEDs with efficiently designed optics to provide soothing pathway light distribution

APPLICATIONS

- Area Lighting
- Parks and Garden lighting
- Architectural spaces
- Malls, institutional campuses etc
- Jogging tracks/Parking spaces



DIMENSIONS



All dimensions are in mm

ORDERING DATA

Product Code	Product description	Wattage (W)	Standard CCT (K)	Mounting height (M)
OBL-SPICA9W600	SPICA BOLLARD 9W LED 0.6M	9	3000K	0.6M

 CK BIRLA GROUP



Terms & Conditions

1. Electrical performance characteristics & data of the Product are subject to variation with wattages. Kindly confirm wattage wise electrical characteristics while placing order
2. Product characteristics & data are subjected to change due to continuous improvement & modification in the product without notice or obligation and will not be liable for any consequences resulting from the use of this publication.
3. Information, description & illustrations are only indicative in nature.
*The Lumen output & power consumption of the luminaire are indicative values for 25°C ambient temperature. The actual flux output of the luminaire depends on environmental conditions like temperature and may vary with specific configurations. Values are subject to $\pm 10\%$ allowance at nominal voltage.
4. Height and bracket arms of the Poles are subject to variation with design. Kindly confirm while placing order.
5. All the technical details of this catalogue products are the property of ORIENT ELECTRIC LTD. Technical Data Sheet is submitted as confidential information in connection with enquiry, tenders, orders or contracts. The information in this TDS is to be used only for the purpose asked for and not to be re-copied or shared without written permission from ORIENT ELECTRIC LTD.

Orient Electric Limited
(a CK Birla Group company)

C-130, Sector-63, Noida-201301, U.P, India
Customer Care: 91-120-4894900
Email: customercarelighting@orientelectric.com
Website: www.orientelectric.com
Orient Helpline No.: 18001037574