

**DATA SHEET**

**Highbay Sensor : ON-OFF & Dimmable**

**Item number**

SR-HF-1004



**Product description**

1. Operating voltage 120~277V AC, suitable to Asia, Euro & North American market.
2. Patented high frequency antenna, mounting height is 15m Max.
3. Supports high-sensitivity and low-sensitivity modes (for metal ceilings, metal reflector mounting environments).
4. Work with 1-10V dimmable LED driver, easy to achieve 2-step or 3-step dimming function.
5. New patented remote control to adjust the transmitting angle to avoid misuse.
6. Dim+/Dim- to set occupancy light level.
7. 2 years warranty.

**Technical data**  
**GENERAL**

<b>Input</b>	Operating Voltage Range	108-305V AC, 50Hz/60Hz
	DC Input Voltage	N/A
	Rated Voltage	120-277Vac,60Hz
	No-load Power	N/A
	Stand-by Power	<1W
	Surge Test	L--N: 1kV
	Working Mode	ON/OFF function, 1-10V step dimming
<b>Output</b>	Type of Load	Inductive or resistive Load
	Load Capacity	120VAC: 4A; 220-277VAC: 3A
	Current of Load	N/A
	Max. Surge Capacity	50A (50% Ipeak, twidth =500uS, 230Vac full load, cold start);
		80A (50% Ipeak, twidth =200uS, 230Vac, full load, cold start)

<b>Dim Interface</b>	1-10V Dimming	< 50mA (Non-constant source) 10%(1.4-1.6V), 20%(1.9-2.1V), 30%(2.9-3.1V), 50% (4.9-5.1V)
	Synchronous Control	N/A
	High Low-level	N/A
	PWM Control	N/A
<b>Sensor Parameters</b>	Operating Frequency	5.8 GHz ±75 MHz,ISM Band.
	Transmitting power	0.5mW Max.
	Hold time	5s/30s/1min/3min/5min/10min/ 20min/30min
	Stand-by DIM Level	10%/20%/30%/50%
	Stand-by Period	0s/10s/1min/3min/5min/10min /30min/+∞
	Detection Area	25%/50%/75%/100%
	Daylight Sensor	5lux/15lux/30lux/50lux/100lux/ 150lux/Disable (Ambient light diffusion)

## DATA SHEET

## Highbay Sensor : ON-OFF & Dimmable

### Item number

SR-HF-1004

### Technical data

#### GENERAL

<b>Sensor Parameters</b>	Detecting Radius	See detection pattern
	Mounting Height	15m Max
	Detecting Angle	150°(wall mounting), 360°(ceiling mounting)
<b>Wireless Module</b>	Operating Frequency	N/A
	Transmitting power	N/A
	Transmitting distance	N/A
	Modulation mode	N/A
<b>Operating Environment</b>	Number of coding	N/A
	Operating Temperature	-35°C...+55°C
<b>Certificate Standards</b>	Storage Temperature	Temperature:- 40°C...+80°C;Humidity:10 %-95% (non-condensing)
	Safety standards	IEC60669-2-1, IEC60669-1 AS/NZS 60669.1, AS/NZS 60669.2.1 UL60730-1
<b>Certificate Standards</b>	EMC standards	EN55015, EN61000-3-2, EN61000-3-3, EN61547 AS/NZS CISPR 15, AS/NZS 4268 FCC Part 15C, Part 15B EN 60950-1, EN301489-1, EN 201489-3, EN300440

<b>Certificate Standards</b>	Environmental Requirement	Compliant to RoHS
	Certificate	cULus, CE, SAA, FCC, RED
<b>Others</b>	Wiring	SJTW,5*18AWG (USA); H05RR-F,5*18AWG (Europe,Australia) ; exposed line length: 810-830mm
	Wiring color	Sheath: Black Core: Red, White, Black, Gray, Purple (US); blue, brown, red, purple, Gray (Europe, Australia)
<b>Others</b>	IP Rating	IP65
	Protection Class	Class II
<b>Others</b>	Installation	Independent
	Dimension	(ΦxH)72*59mm
<b>Others</b>	Package	Instruction+ White box+ White box tags+ Clapboard+ Carton(K=A)
	Net Weight	246g,
<b>Others</b>	warranty	2 years warranty

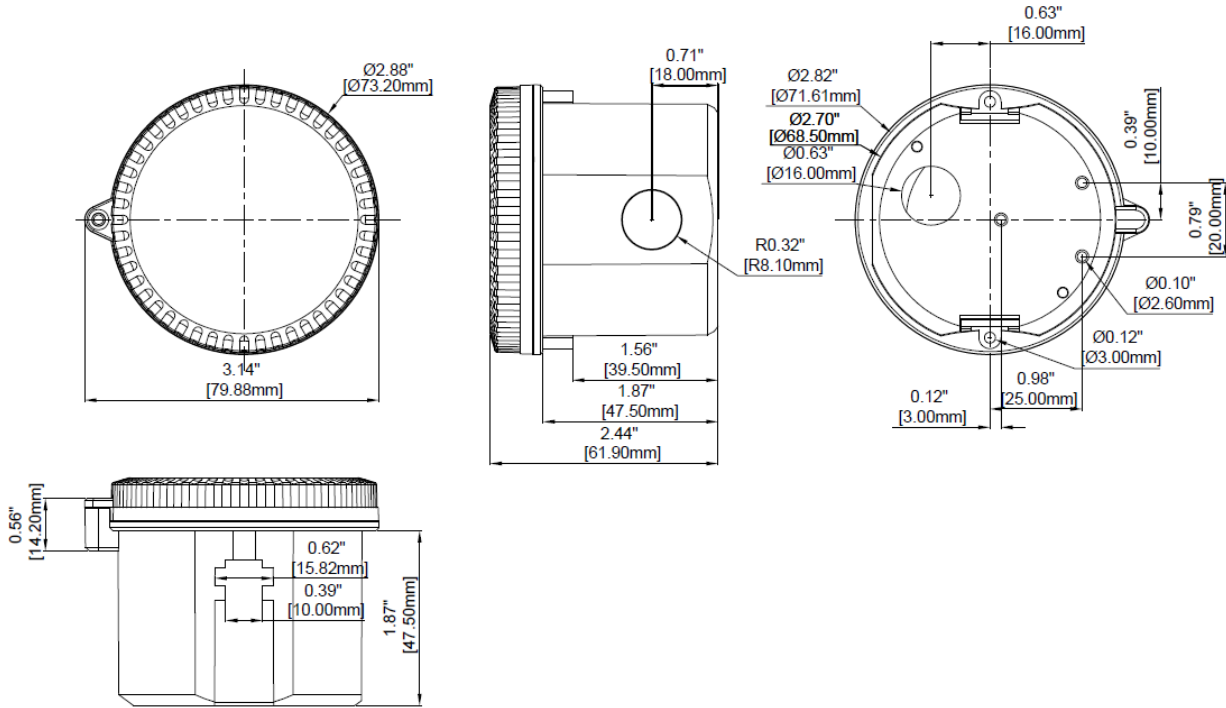
**DATA SHEET**

**Highbay Sensor : ON-OFF & Dimmable**

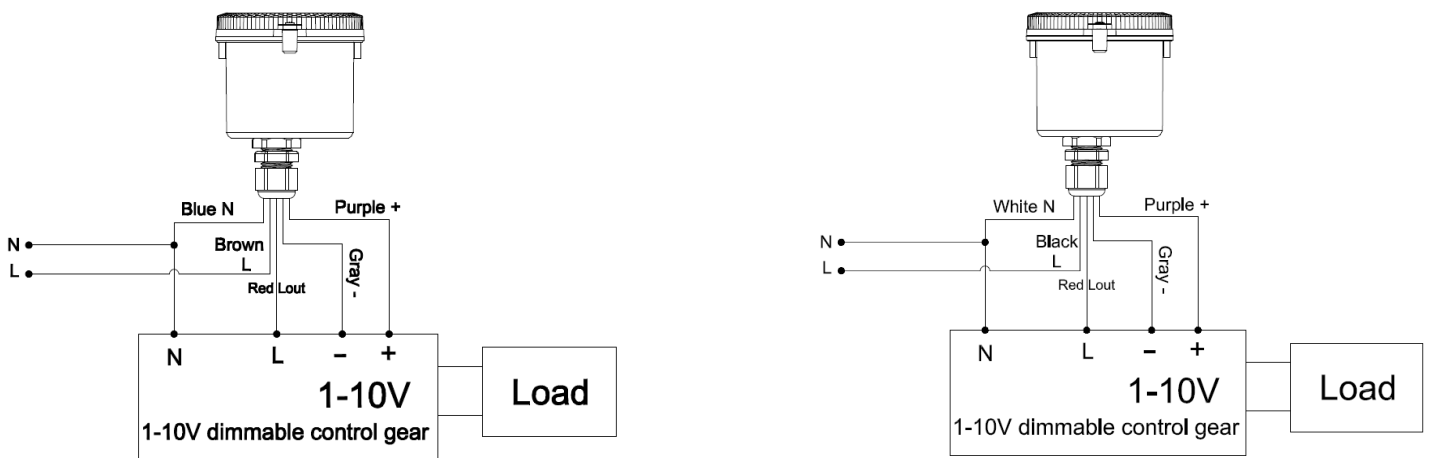
**Item number**

SR-HF-1004

**Dimension drawing**



**Wiring**



Asia / Euro / Australia version

USA Version

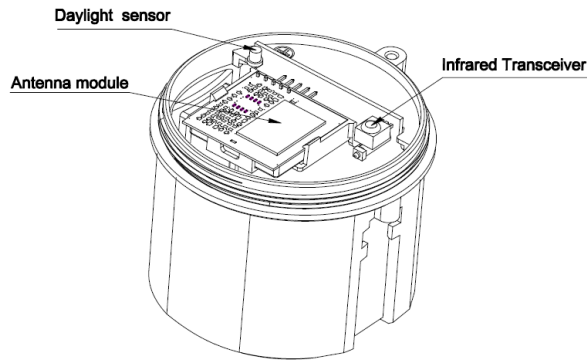
**DATA SHEET**

**Highbay Sensor : ON-OFF & Dimmable**

**Item number**

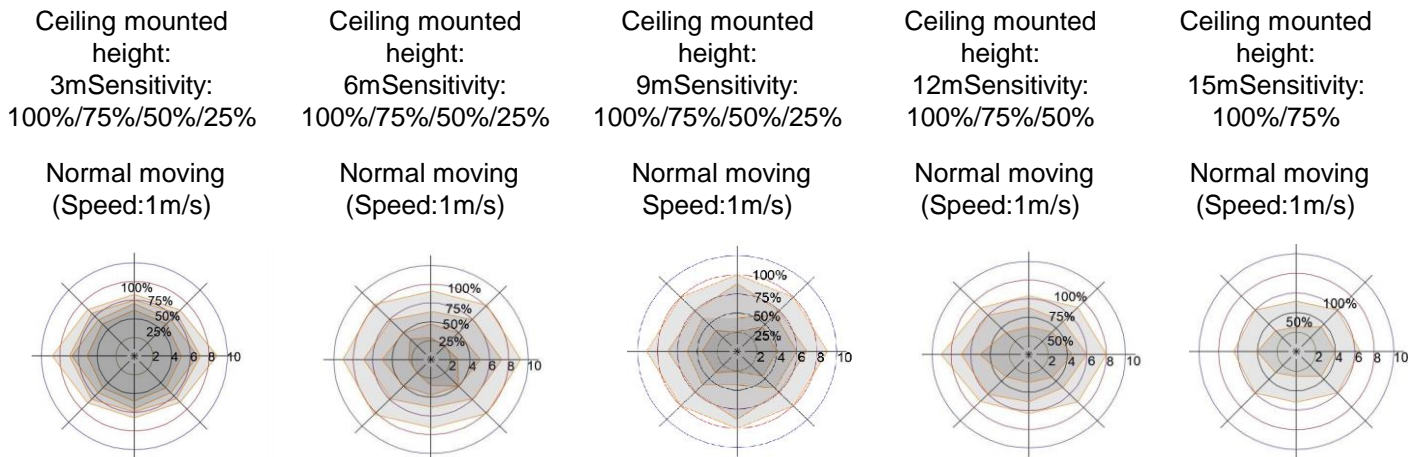
SR-HF-1004

**Function Diagram**



**Radiation Pattern**

**Ceiling Mounting**



\*Only 100%/75%/50% detection sensitivity is workable when installed at 10m & 15m mounting height. 25% sensitivity is not able to detect motion signal.

**Wall Mounting**

Horizon mounted height: 2mSensitivity: 100%/75%/50%/25%



Normal moving (Speed : 1m/s)